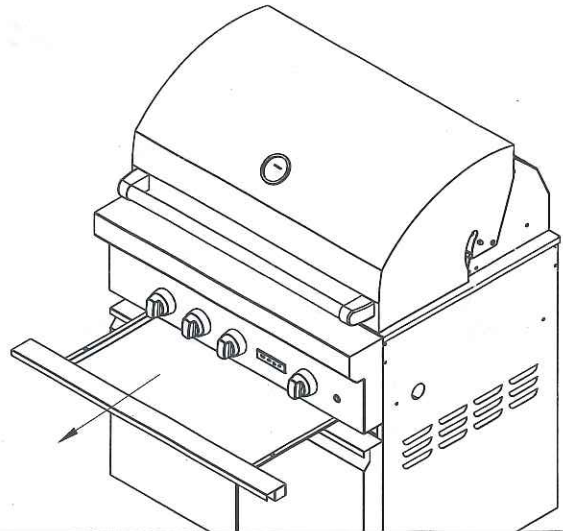
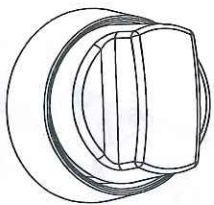


PLACE THE GRILL ON THE CABINET AS SHOWN



PULL OUT THE DRIP PAN COMPLETELY OFF THE UNIT.



10-32 HEX BOLT (2X)

FLAT WASHER (2X)

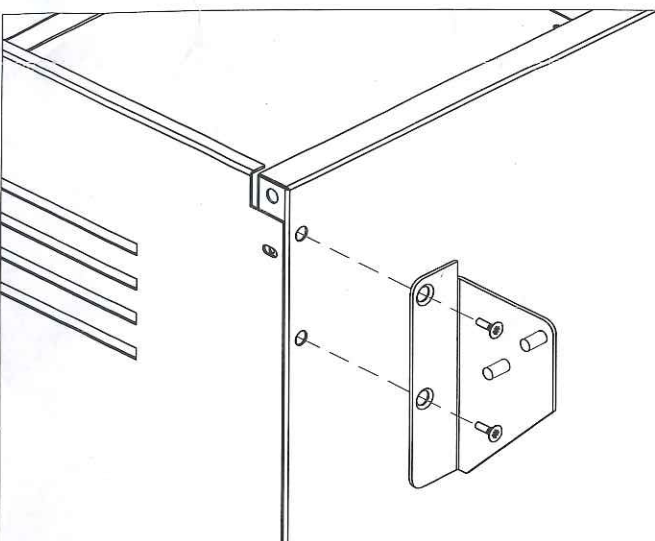
SECURE THE GRILL AS SHOWN ON BOTH RIGHT HAND SIDE AND LEFT HAND SIDE OF THE UNIT.

GRILL

10-32 SCREW (2X)

CART

SECURE THE GRILL FROM THE BACK OF THE UNIT AS SHOWN ON BOTH RIGHT HAND SIDE AND LEFT HAND SIDE.

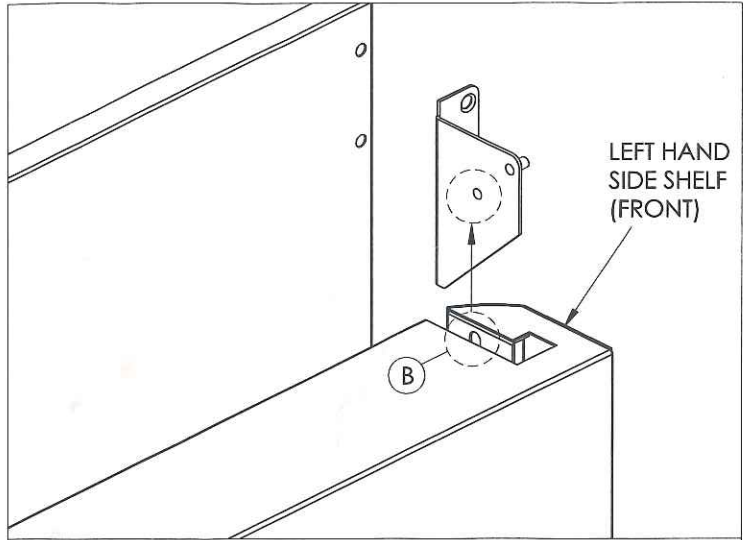
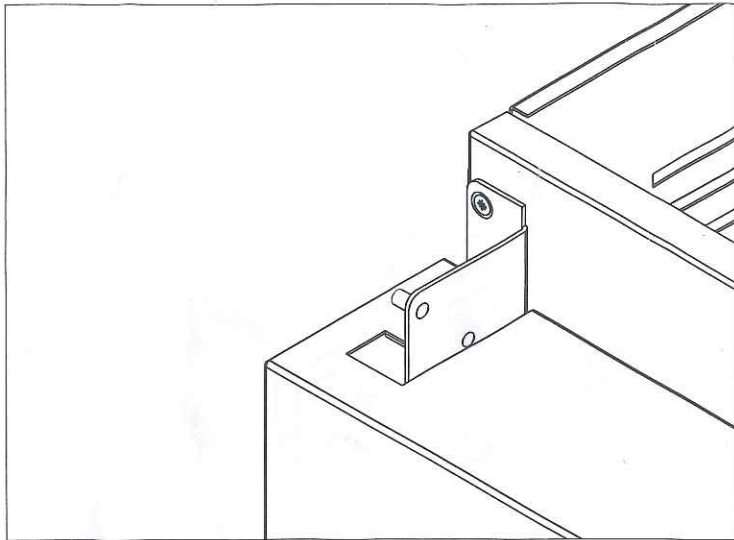


INSTALL THE SIDE SHELF REAR BRACKET AS SHOWN. THE PINS SHOULD POINT OUTSIDE THE CABINET.

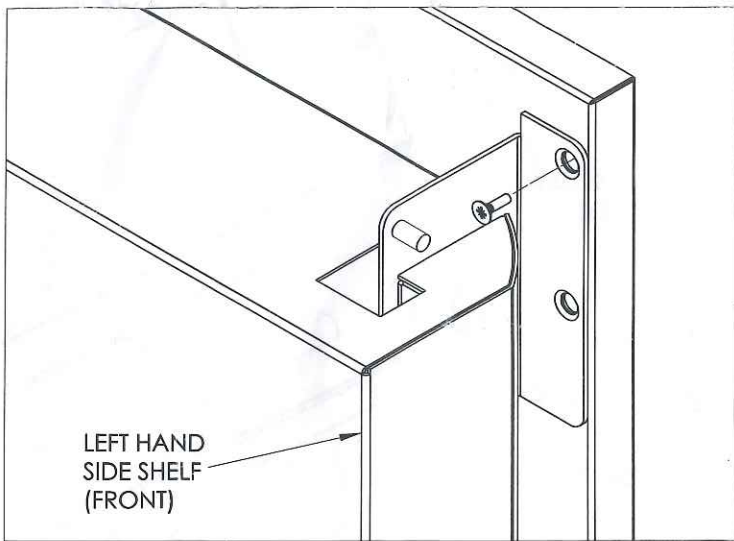
LEFT HAND SIDE SHELF (REAR)

A

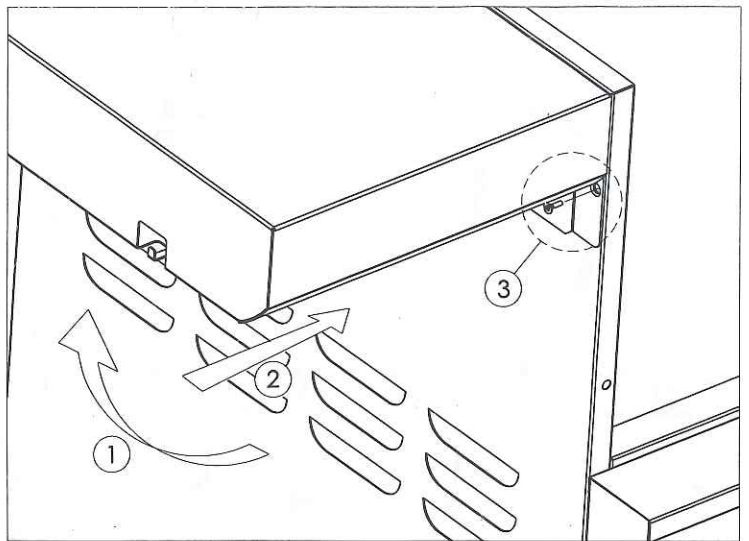
HOOK SLOT "A" TO THE BOTTOM PIN OF THE REAR SIDE SHELF BRACKET.



HOOK THE BOTTOM PIN OF THE FRONT SIDE SHELF BRACKET TO SLOT "B".



FASTEN THE TOP SCREW OF THE FRONT SIDE SHELF BRACKET AS SHOWN.



1.) SWING THE SIDE SHELF AS SHOWN AND 2.) PUSH IT TOWARDS THE CABINET. 3.) INSTALL THE BOTTOM SCREW OF THE BRACKET.