

ICBID-24RO



FEATURES

Crispers and deli drawers in low-temp, high-humidity zones for optimum freshness

Ready to be fitted with custom panels and handles to blend with cabinetry

Smart-touch controls for streamlined access to more settings

Soft-close doors and drawers

Soft-on LED lights for varying degrees of brightness

Tight seal maintains low-temp, high humidity for optimum freshness

Weather resistant stainless steel panel accessories protect against UV rays, salt and moisture

Rigorously tested in our U.S. manufacturing facilities for decades of use

ACCESSORIES

Egg container

Stainless Steel Pro Handles

Stainless Steel Tubular Handles

Dual Installation Kits

Stainless Steel Front Panels with Pro Handle

Stainless Steel Front Panels with Tubular Handle

Stainless Steel Kickplates

Stainless Steel Dual Installation Kickplates

Outdoor Stainless Steel Drawer Panels with Pro Handle

Outdoor Stainless Steel Drawer Panels with Pro Handle and Lock

Accessories available through an authorized Sub-Zero dealer. For local dealer information, visit subzerowolf.com.hk



HANDLE ACCESSORIES

PRO



TUBULAR



PRODUCT DETAILS

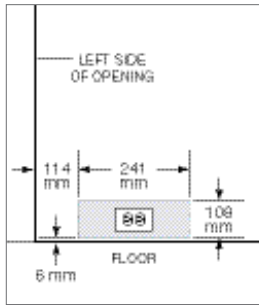
REFRIGERATOR

- Adjustable drawer dividers

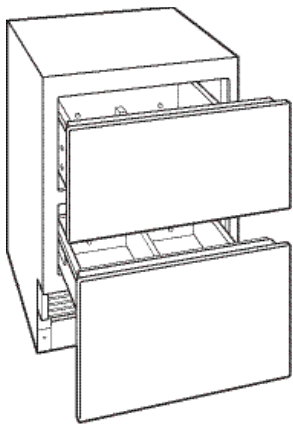
PRODUCT SPECIFICATIONS

Model	ICBID-24RO
Dimensions	610 mm W x 876 mm H x 610 mm D
Drawer Clearance	467 mm
Refrigerator Capacity	76 L
Shipping Weight	77 kg
Electrical Supply	220–240 VAC, 50/60 Hz
Electrical Service	0.6 A
Receptacle	3-prong grounding-type
Electrical Cord	2 m

ELECTRICAL

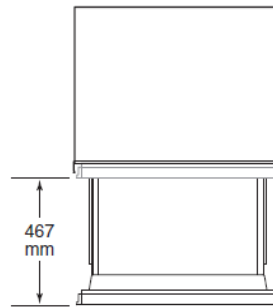
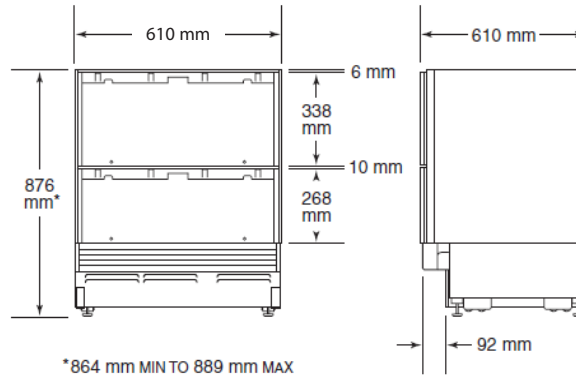


INTERIOR VIEW

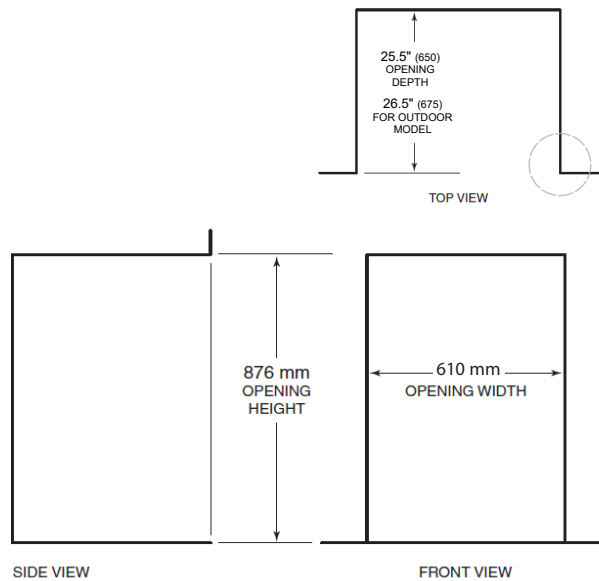


This illustration is intended for interior reference only and may not represent the exterior of the model being specified.

DIMENSIONS



STANDARD INSTALLATION



NOTE: Shaded areas will be visible and should be finished to match cabinetry.

