

ICBCSOP2450TE/S/T

FEATURES

The elegant, modern aesthetics pair perfectly with 60 cm and 76 cm Wolf cooking products as well as a full suite of similarly styled Sub-Zero appliances

Full-color touchscreen simplifies use and adds refinement to the design. Easily customize the user interface with drag-and-drop tile options.

Save up to 50 personalized favorite recipe presets.

11 Cooking Modes

1750-watt recessed broil element

The 60 cm model offers a 48 liter interior--space enough to prepare multiple dishes at once (or a 6.8-kg turkey). The 1889-Watt single convection system maintains heat and airflow to eliminate "cold spots"

Three full-extension rack positions and one standard position

Updated controls offer language translations

Temperature Probe

Sharpen your skillset with the Mastering the Convection Steam Oven guide

ACCESSORIES

Descaling Solution

Grill Rack

Perforated Pan - 324 x 38 x 178 mm

Perforated Pan - 451 x 32 x 381 mm

Porcelain Steam Enameled Broil Pan

Pro Handle

Solid Pan - 324 x 38 x 178 mm

Solid Pan - 451 x 32 x 381 mm

Standard Oven Rack

Temperature Probe

Accessories available through an authorized dealer.

For local dealer information, visit subzero-wolf.com/locator.



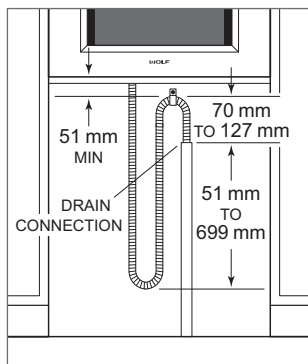
PRODUCT SPECIFICATIONS

Model	ICBCSOP2450TE/S/T
Dimensions	597mmW x 454mmH x 571 1/2mmD
Oven Interior Dimensions	445mmW x 273mmH x 384mmD
Overall Capacity	48 L
Door Clearance	360mm
Weight	91 lbs
Electrical Supply	220-240 VAC; 50 Hz
Electrical Service	3800 W
Conduit Length	1.2 Meters

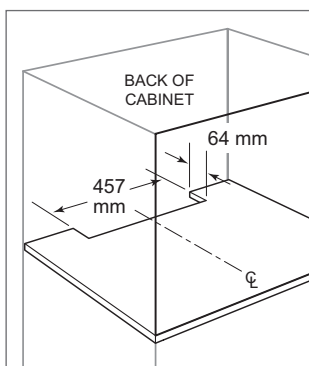
NOTE: Dimensions in parenthesis are in millimeters unless otherwise specified

PLUMBING REQUIREMENTS

Water Connection	2 m braided tubing with 3/8" female compression fitting
Drain Connection	3 m corrugated tubing with 22 mm outlet
Pressure	0.1–1.0 MPa

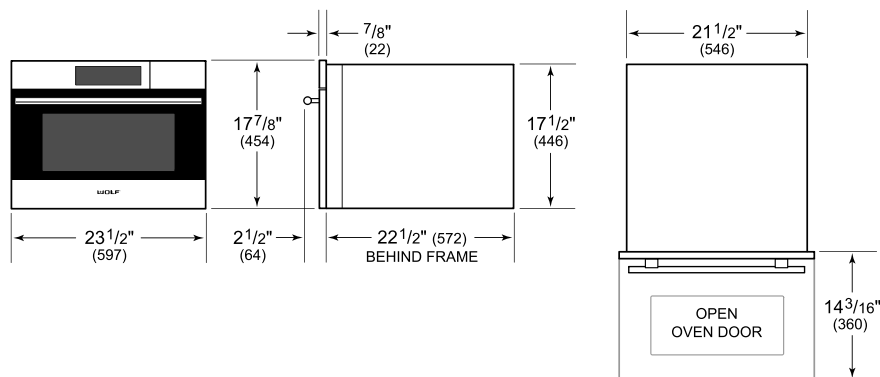


Drain connection

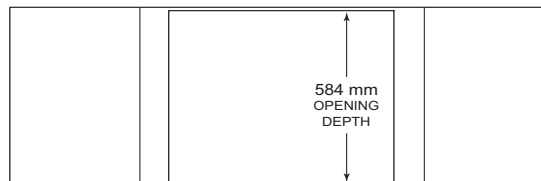


Base support

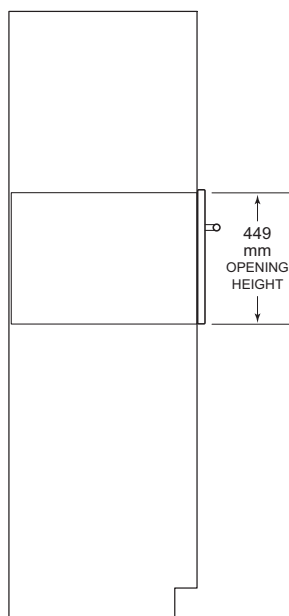
DIMENSIONS



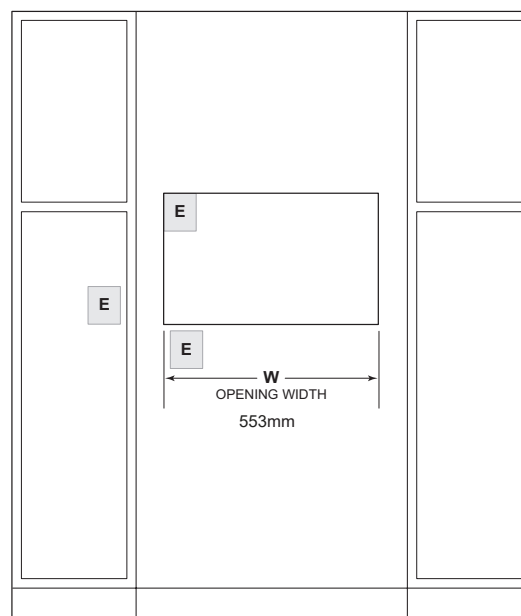
STANDARD INSTALLATION



TOP VIEW



SIDE VIEW



FRONT VIEW