

ICBCL4250S/O



## FEATURES

Split Climate™ intelligent cooling system revolutionizes Sub-Zero's already-superior preservation capabilities, keeping food even fresher for longer

ClearSight™ LED lighting system fully illuminates the interior and reduces shadows

Sleek stainless accents trim the interior, matching the sophistication of the exterior

Touch control panel is conveniently located for easy access at the tap of a finger

Night Mode optimizes the interior lighting based on the detected ambient light, reducing the brightness by 90% in dim environments

Lift the base of the flip-up dairy compartment to store taller items on the shelf below

Fresh-tasting, odorless, filtered ice ready on-demand - activate Max Ice Mode to temporarily increase ice production

## ACCESSORIES

90° Door Stop

Air Purification Cartridge

Water Filter Cartridge

Stainless Steel Side Panel

Custom Front Panel Mounting Kit

Custom Side Panel Mounting Kit

Egg Container

Grille Frame

Stainless Steel Flush Inset Grille Panel

Stainless Steel Flush Inset Door and Drawer Panels with Pro Handle

Stainless Steel Flush Inset Door and Drawer Panels with Tubular Handle

Classic Stainless Steel Pro Louvered Grilles

Stainless Steel Pro Handles

Stainless Steel Tubular Handles

Stainless Steel Kickplate

Accessories are available through an authorized dealer.

For local dealer information, visit [subzero-wolf.com/hk](http://subzero-wolf.com/hk).



## HANDLE ACCESSORIES

PRO



TUBULAR



## PRODUCT DETAILS

### REFRIGERATOR

- 1 adjustable dairy compartment
- 1 high-humidity crisper drawer with adjustable dividers
- 2 refrigerator storage drawers with adjustable dividers
- 5 refrigerator door bins (3 adjustable; 2 stationary)
- 5 glass refrigerator shelves (4 adjustable; 1 stationary)
- LED refrigerator and freezer lights

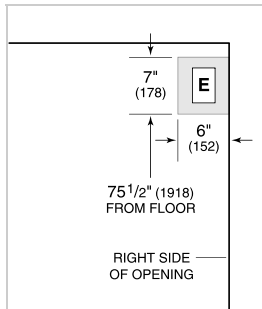
### FREEZER

- 5 adjustable freezer door bins
- 4 wire freezer shelves (3 adjustable; 1 stationary)
- 3 freezer storage drawers

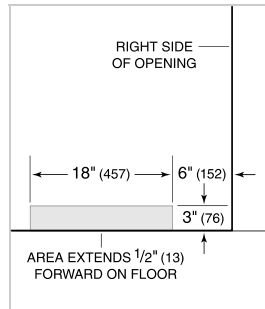
**PRODUCT SPECIFICATIONS**

Model	ICBCL4250S/O
Dimensions	1067 mm W x 2134 mm H x 610 mm D
Door Clearance	688 mm
Shipping Weight	281 kg
Refrigerator Storage Capacity	439 L
Freezer Storage Capacity	243 L
Electrical Supply	220-240 VAC; 50/60 Hz
Electrical Service	2 A
Plumbing Supply	6.35 mm OD copper line, braided stainless steel, or PEX tubing
Plumbing Pressure	2.4-8.3 bar
Power Cord	2 m

**ELECTRICAL**



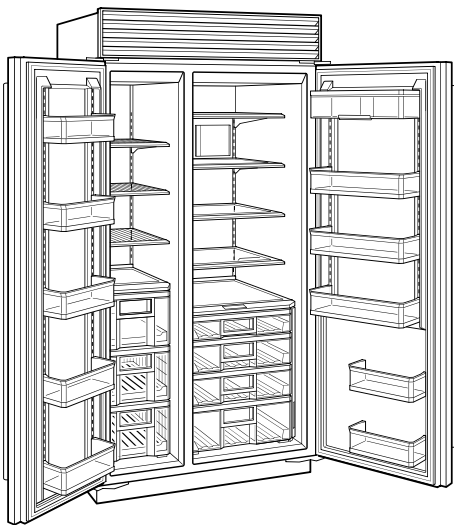
**PLUMBING**



**PANEL SPECIFICATIONS** For complete panels specifications including width/height, weight requirements, thickness requirements and offset details visit [subzero-wolf.com/hk](http://subzero-wolf.com/hk).

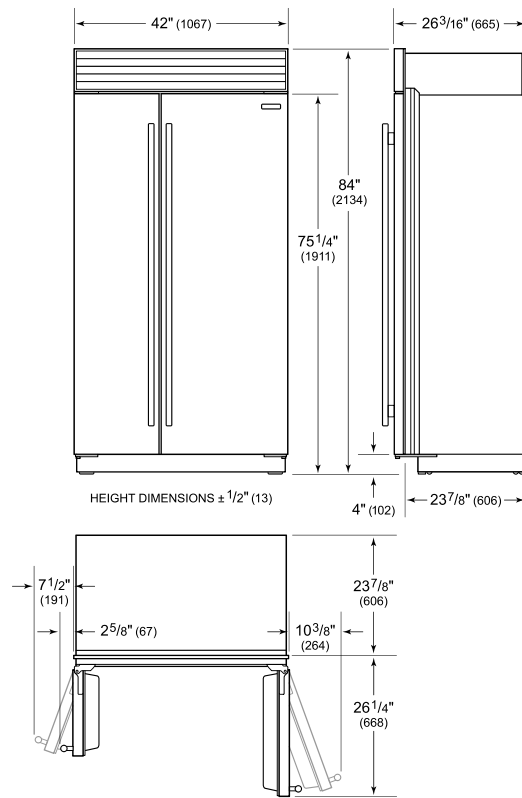
**NOTE:** Dimensions in parenthesis are in millimeters unless otherwise specified

**INTERIOR VIEW**

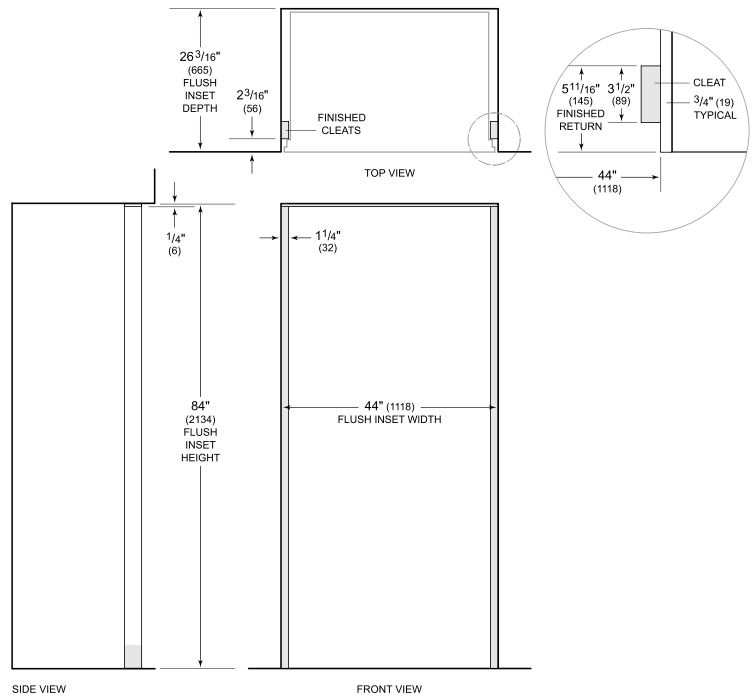


This illustration is intended for interior reference only and may not represent the exterior of the model being specified.

**DIMENSIONS**



**FLUSH INSET INSTALLATION**



**NOTE:** 3 1/2" (89) finished returns and shaded areas will be visible and should be finished to match cabinetry. Shaded line represents profile of unit with 3/4" (19) panel.