

ICBCL4250SID/O



FEATURES

ClearSight™ LED lighting system fully illuminates the interior and reduces shadows

Split Climate™ intelligent cooling system revolutionizes Sub-Zero's already-superior preservation capabilities, keeping food even fresher for longer

Night Mode optimizes the interior lighting based on the detected ambient light, reducing the brightness by 90% in dim environments

Touch control panel is conveniently located for easy access at the tap of a finger

Sleek stainless accents trim the interior, matching the sophistication of the exterior

Stainless-steel exterior and pro and tubular handles to match other Sub-Zero and Wolf products

Delivers fresh-tasting, filtered water through an internal dispenser located discreetly within the refrigerator

Lift the base of the flip-up dairy compartments to store taller items on the shelf below

Activate Max Ice Mode to temporarily increase ice production

Sub-Zero offers an industry-leading full two-year warranty on appliances

ACCESSORIES

Air Purification Cartridge

Egg Container

Water Filter Cartridge

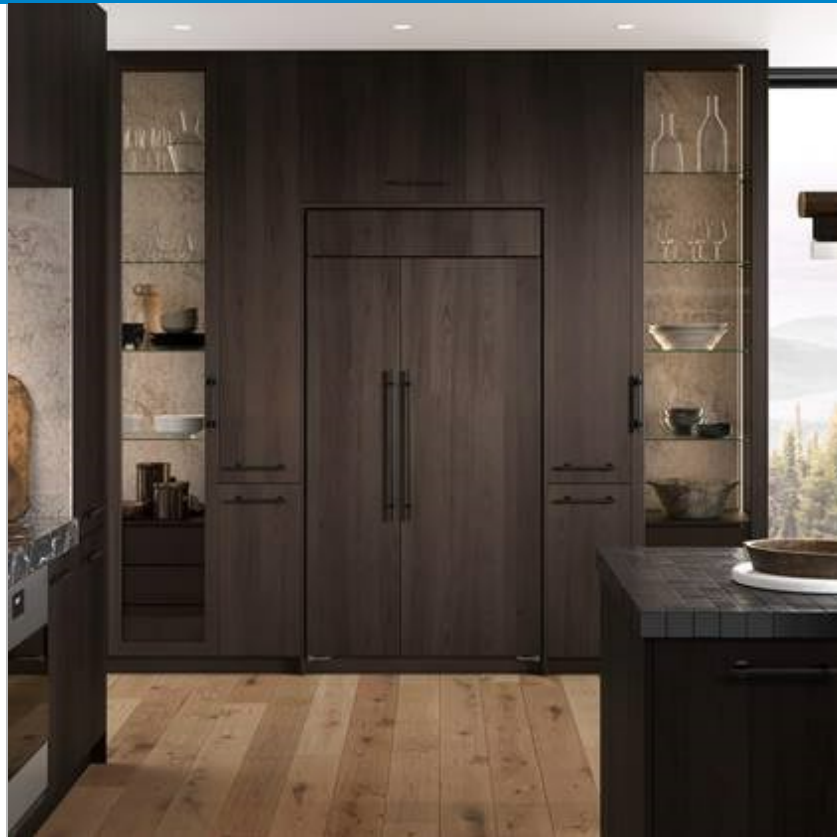
Stainless Steel Side Panel

Side Panel Mounting Kit

90° door stop

Accessories are available through an authorized dealer.

For local dealer information, visit subzero-wolf.com/hk



HANDLE ACCESSORIES

PRO



TUBULAR



PRODUCT DETAILS

REFRIGERATOR

- 5 glass refrigerator shelves (4 adjustable; 1 stationary)
- 4 crisper drawers with removable dividers
- 5 refrigerator door bins (3 adjustable; 2 stationary)
- Air purification system
- Internal ice and water dispenser
- LED refrigerator and freezer lights

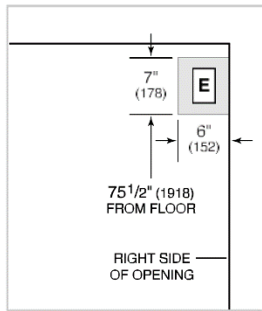
FREEZER

- 5 adjustable door bins
- 3 storage drawers
- Fold-up shelf
- Water filtration system

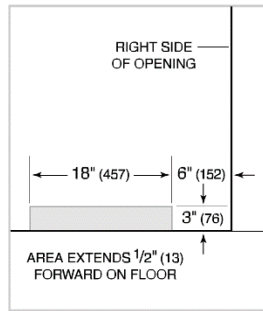
PRODUCT SPECIFICATIONS

Model	ICBCL4250SID/O
Dimensions	1067 mm W x 2134 mm H x 610 mm D
Shipping Weight	283 kg
Fridge Storage Capacity	429 L
Freezer Storage Capacity	248 L
Door Clearance	668 mm
Electrical Supply	220-240 VAC; 50/60 Hz
Electrical Service	2 A
Receptacle	3-prong grounding-type
Water Pressure	2.4-3.6 bar
Power Cord	2 m

ELECTRICAL



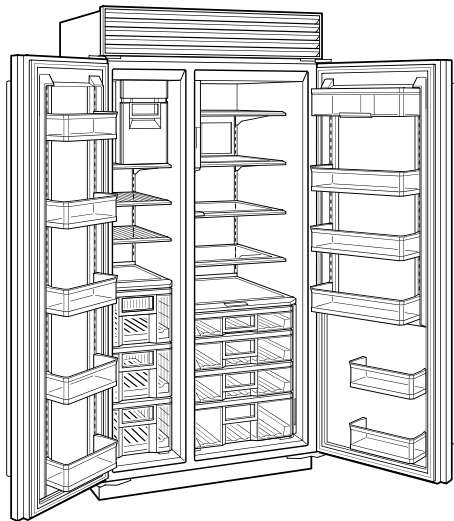
PLUMBING



NOTE: Dimensions in parenthesis are in millimeters unless otherwise specified

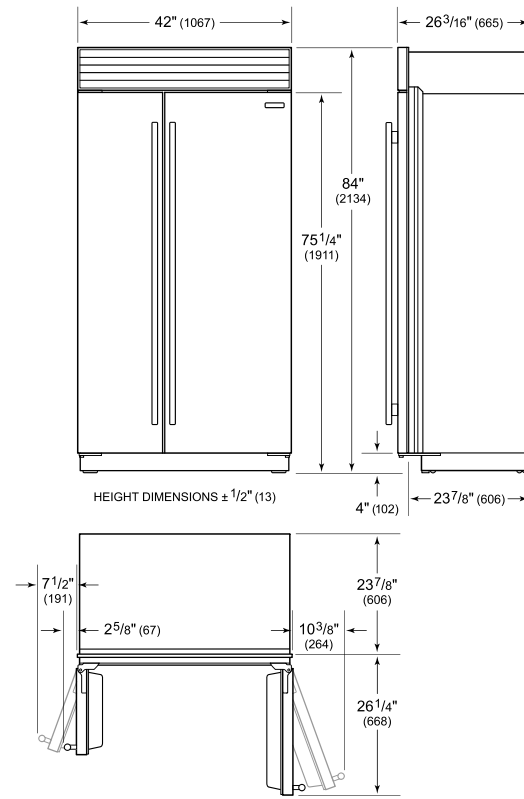
PANEL SPECIFICATIONS For complete panels specifications including width/height, weight requirements, thickness requirements and offset details refer to Design Guide.

INTERIOR VIEW

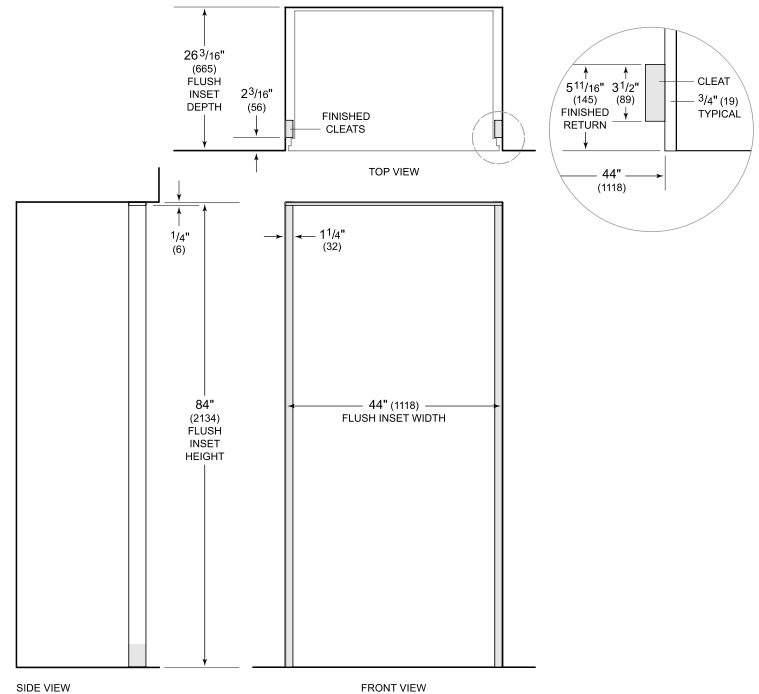


This illustration is intended for interior reference only and may not represent the exterior of the model being specified.

DIMENSIONS



FLUSH INSET INSTALLATION



NOTE: 3 1/2" (89) finished returns and shaded areas will be visible and should be finished to match cabinetry. Shaded line represents profile of unit with 3/4" (19) panel.