



Design Guide

ICB REVISED 5/2022



Contents

3	Classic Series Refrigeration
25	PRO Series Refrigeration
33	Designer Series Refrigeration
44	Wine Storage
69	Designer Series Undercounter Refrigeration
76	Sub-Zero Warranty



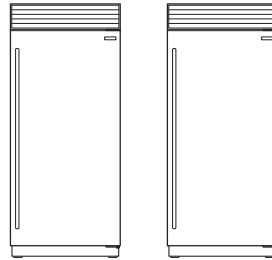
Features and specifications are subject to change at any time without notice.

Throughout this guide, dimensions may vary by ± 3 mm.

Classic Series Models

For the Classic series refrigeration, Sub-Zero designers and engineers took a fresh look at everything, inside and out. Exterior refinements include redesigned grilles and lower-profile hinges. Inside, new technology in food preservation makes the Classic series refrigeration nothing short of revolutionary.

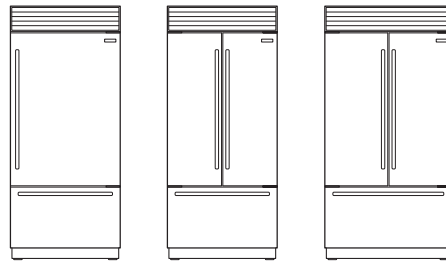
ALL REFRIGERATOR / ALL FREEZER



ICBCL3650R

ICBCL3650F

OVER-AND-UNDER

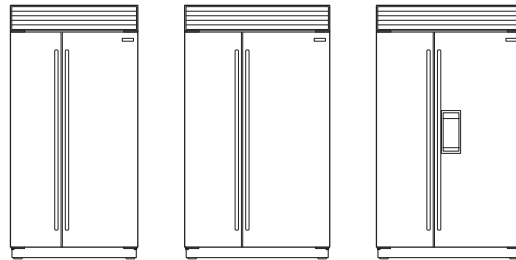


ICBCL3650U

ICBCL3650UFD

ICBCL4250UFD

SIDE-BY-SIDE MODELS



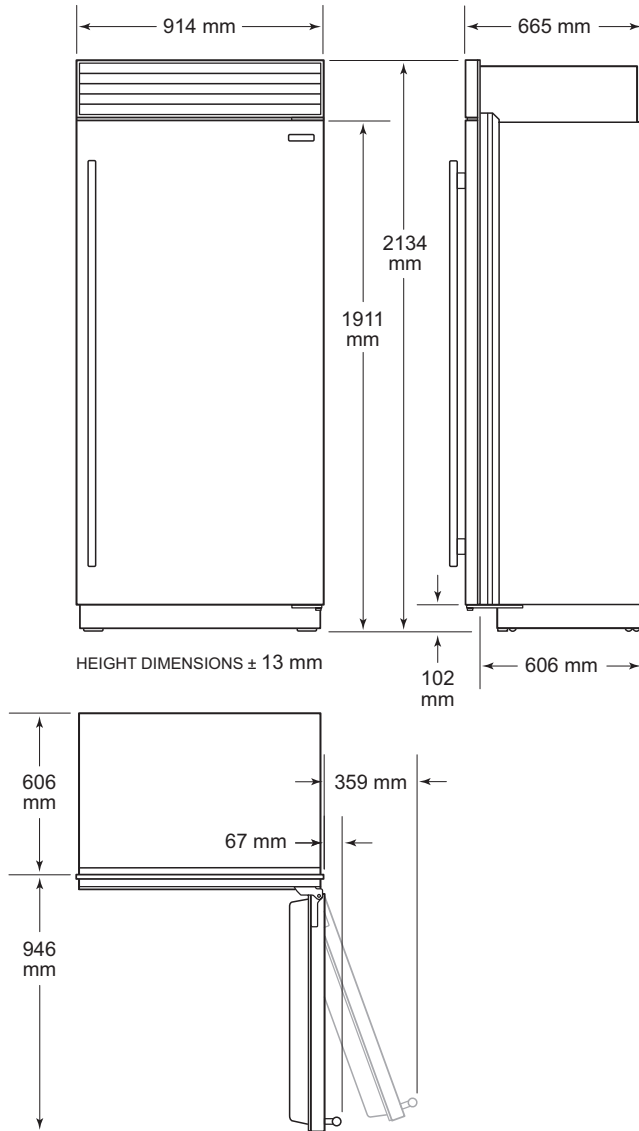
ICBCL4250S(ID)

ICBCL4850S(ID)

ICBCL4850SD

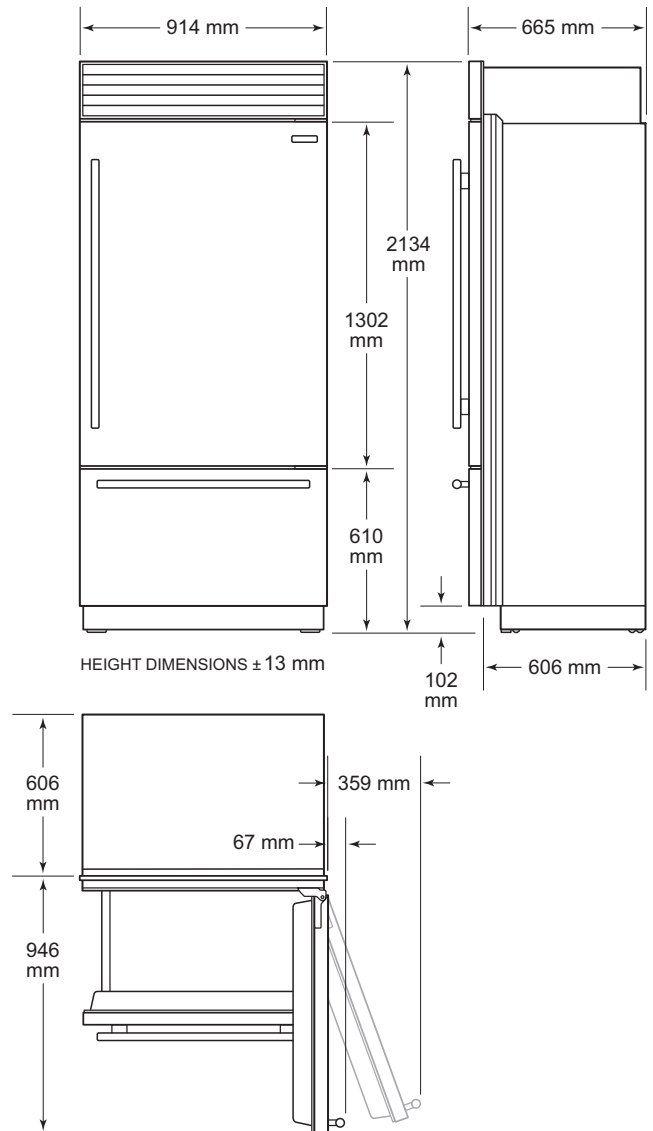
Overall Dimensions

ALL REFRIGERATOR / ALL FREEZER



Model ICBCL3650R, ICBCL3650F

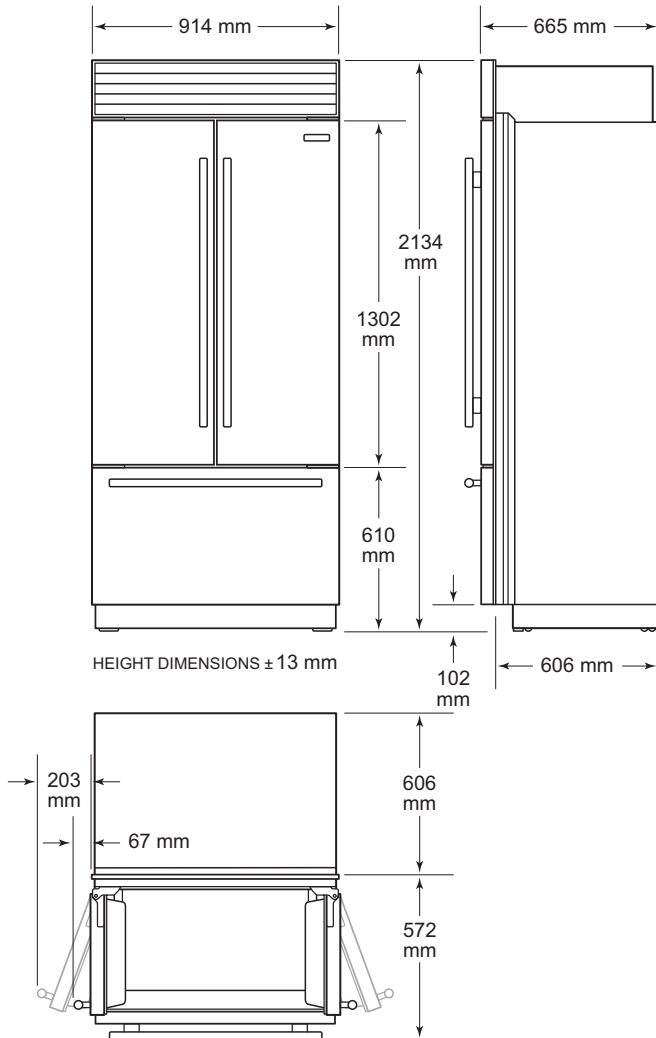
OVER-AND-UNDER



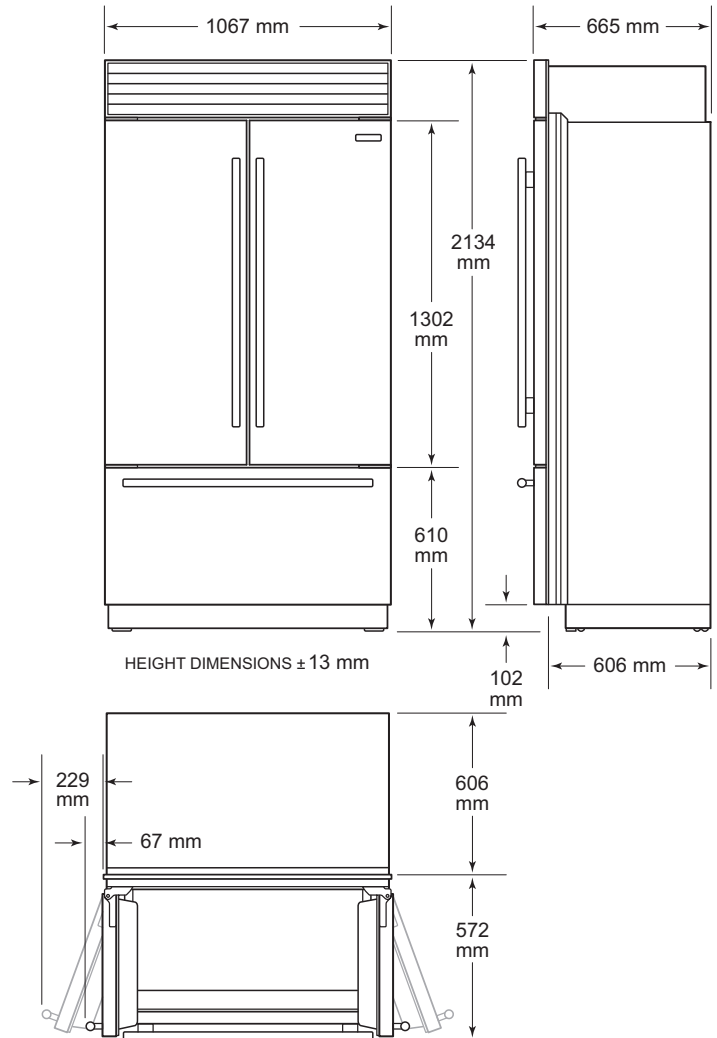
Model ICBCL3650U

Overall Dimensions

OVER-AND-UNDER



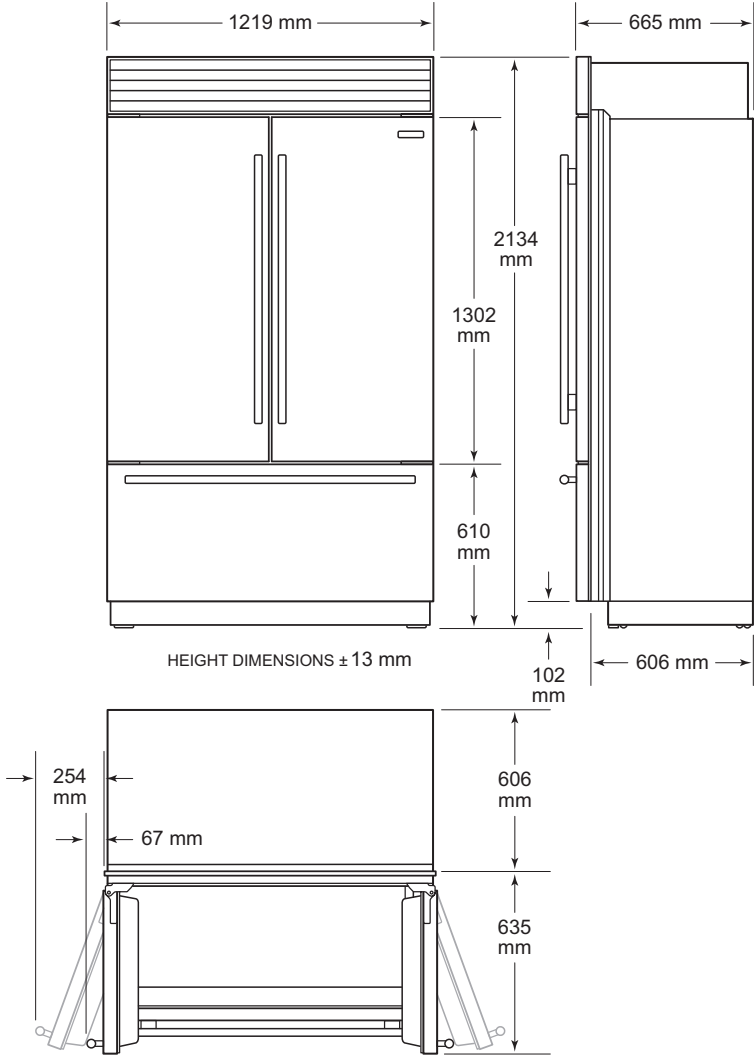
Model ICBCL3650UFD



Model ICBCL4250UFD

Overall Dimensions

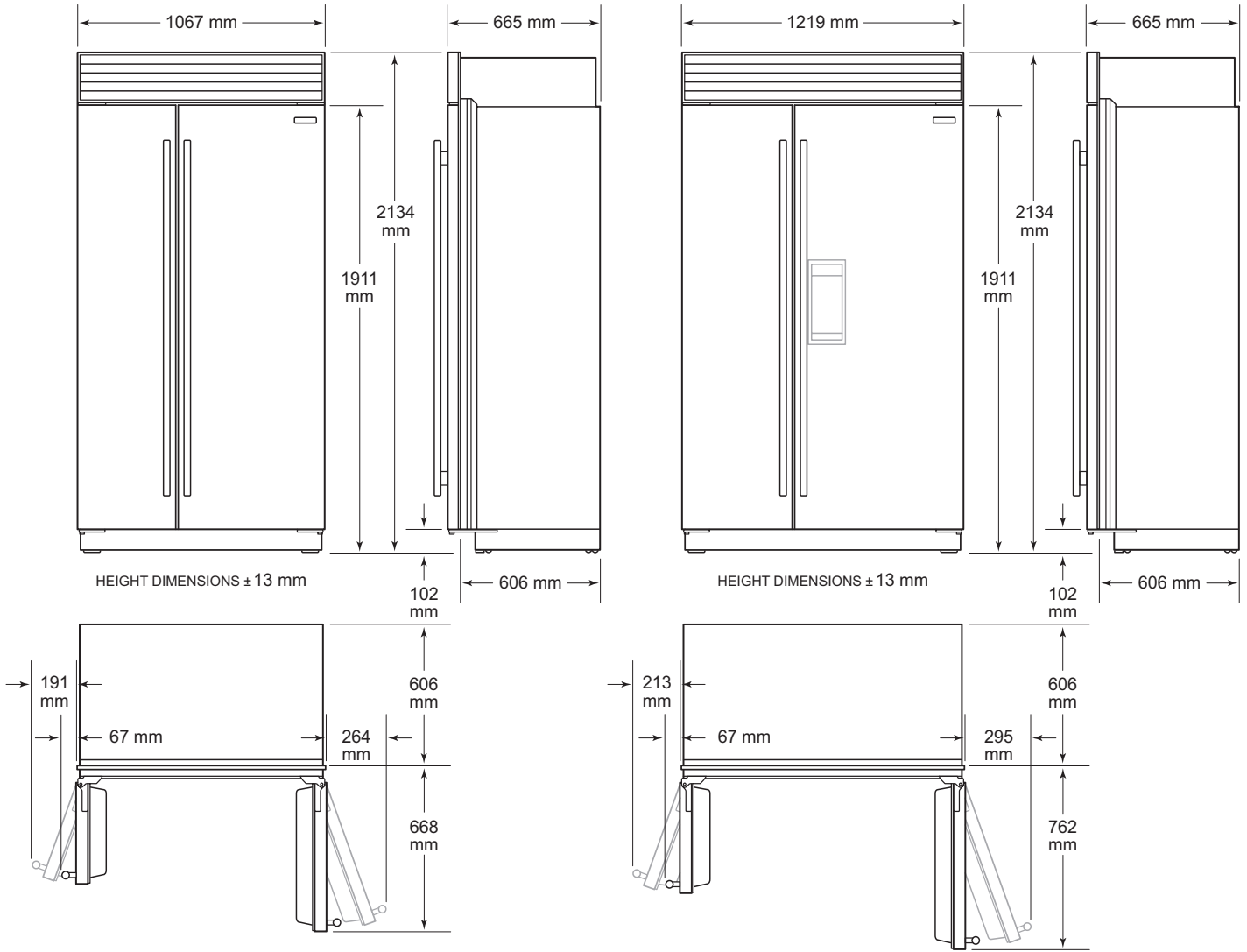
OVER-AND-UNDER



Model ICBCL4850UFD

Overall Dimensions

SIDE-BY-SIDE

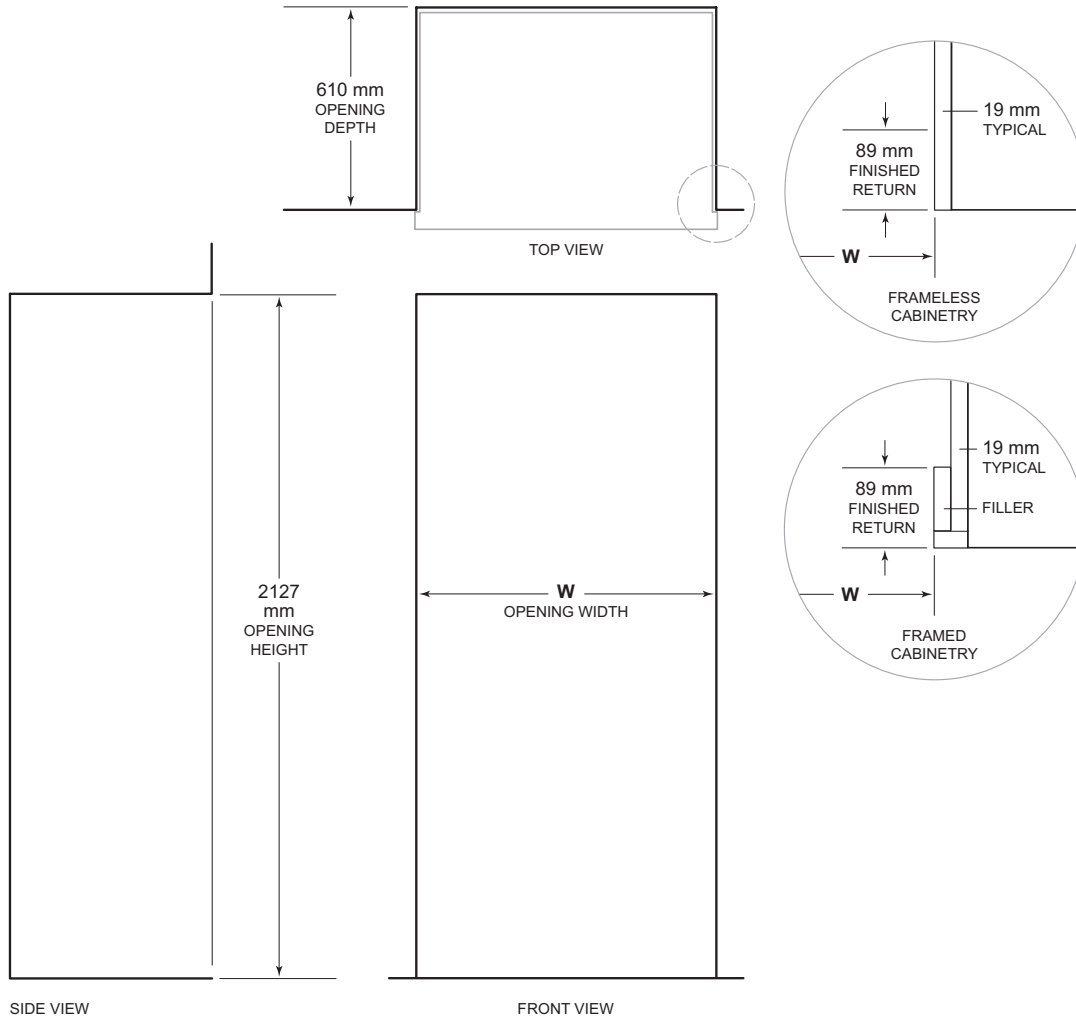


Model ICBCL4250S(ID)

Model ICBCL4850S(ID), ICBCL4850SD

Opening Dimensions

STANDARD INSTALLATION



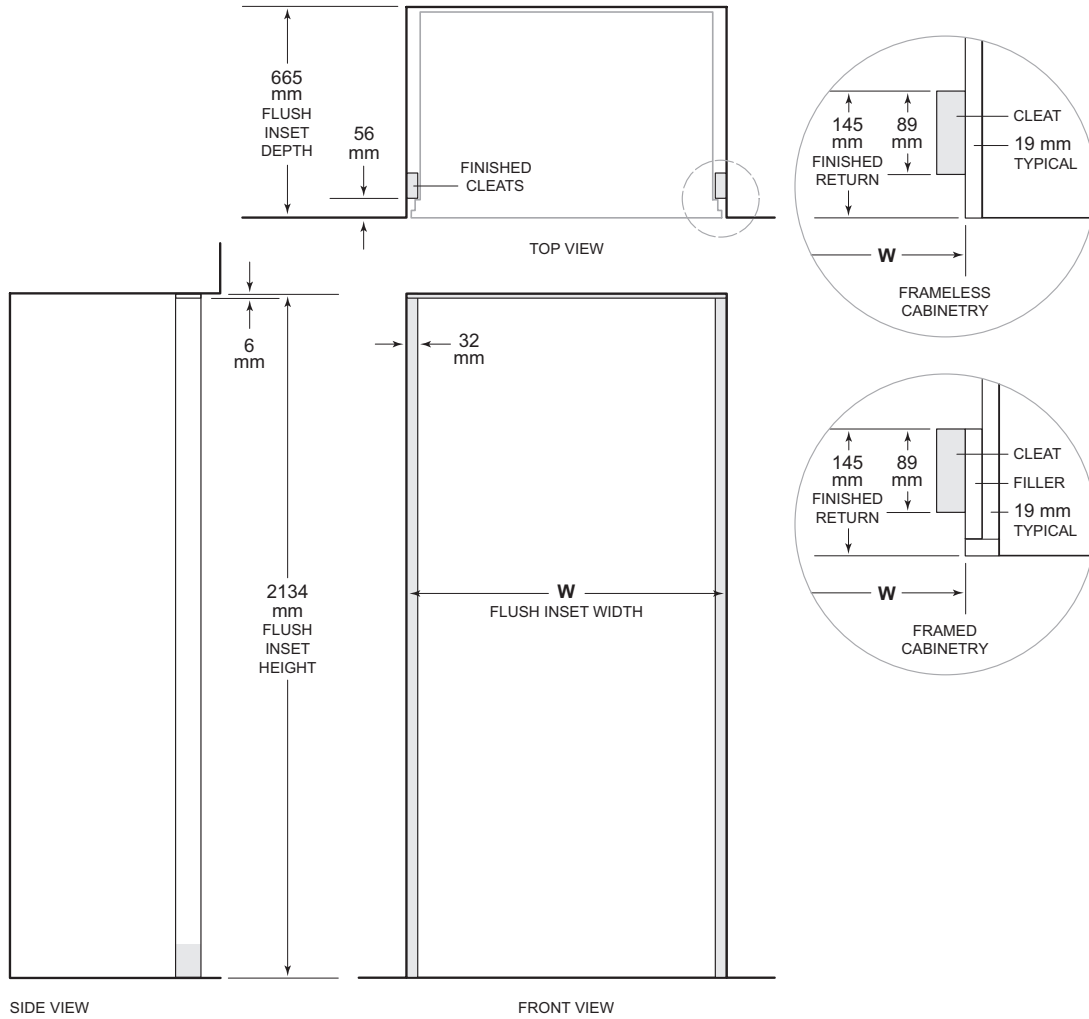
NOTE: 89 mm finished returns will be visible and should be finished to match cabinetry. Shaded line represents profile of unit.

OPENING WIDTH	W
914 mm Model	902 mm
1067 mm Model	1054 mm
1219 mm Model	1206 mm

If two units are installed side by side, refer to page 10 for dual standard installations.

Opening Dimensions

FLUSH INSET INSTALLATION



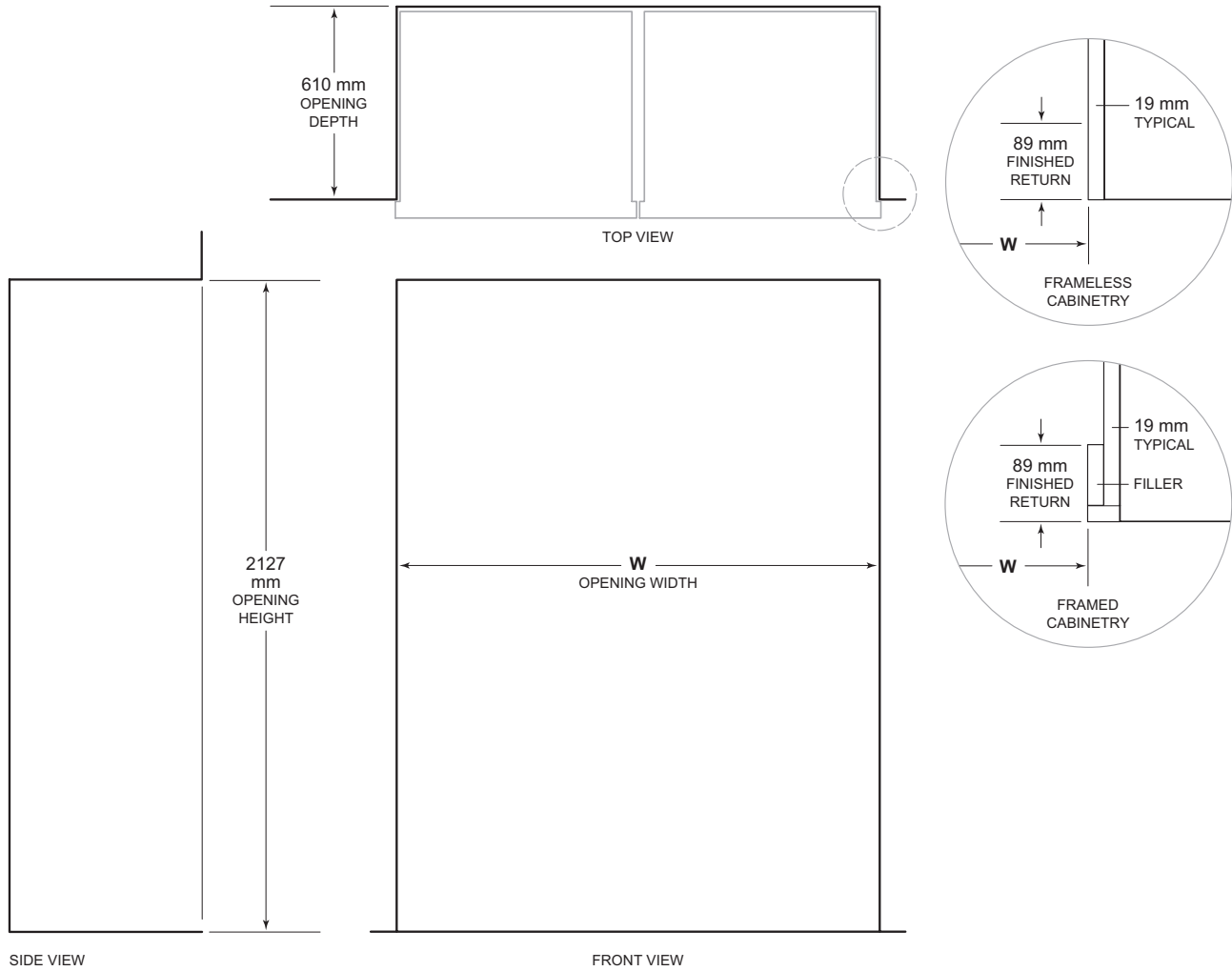
NOTE: 89 mm finished returns and shaded areas will be visible and should be finished to match cabinetry. Shaded line represents profile of unit with 19 mm panel.

FLUSH INSET WIDTH	W
914 mm Model	965 mm
1067 mm Model	1118 mm
1219 mm Model	1270 mm

Flush inset is available for overlay models only. Dimensions assume a 19 mm panel thickness.

Opening Dimensions

DUAL STANDARD INSTALLATION



NOTE: 89 mm finished returns will be visible and should be finished to match cabinetry.
Shaded line represents profile of unit.

DUAL OPENING WIDTH

W

A dual installation kit is required for this installation.

Two 914 mm Models

1822 mm

Electrical Requirements

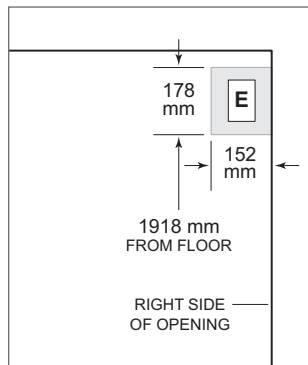
Installation must comply with all applicable electrical codes and be properly grounded (earthed).

International models from the factory designed without a transformer require a 220-240 V AC, 50/60 Hz electrical supply, fused at the correct rating for the unit. If required by local or national codes, the power cord can be easily replaced using the power inlet device.

The electrical supply should be located within the shaded area shown in the illustration below. A separate circuit servicing only this appliance is required. A ground fault circuit interrupter (GFCI) is not recommended and may cause interruption of operation.

ELECTRICAL REQUIREMENTS

Electrical Supply	220-240 V AC, 50/60 Hz
Service	10 amp
Receptacle	grounding-type (earthed)



Electrical supply location

Plumbing Requirements

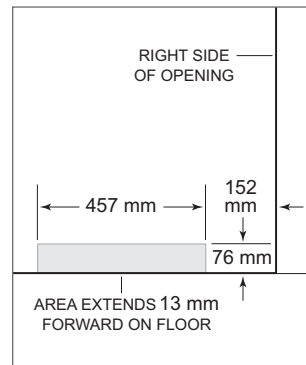
Installation must comply with all applicable plumbing codes.

The water supply line should be located within the shaded area shown in the illustration below. The water supply line should be connected to the house supply with an easily accessible shut-off valve. Do not use self-piercing valves. The water supply line must not interfere with the installation of the anti-tip brackets.

A reverse osmosis system can be used provided there is constant water pressure of 2.4–8.3 bar supplied to the unit at all times. A copper line is not recommended for this application.

PLUMBING REQUIREMENTS

Water Supply Line	6.4 mm OD copper, braided stainless steel, or PEX tubing
Water Pressure	2.4–8.3 bar
Excess Line for Connection	.9 m



Water supply location

Custom Panels

For overlay and flush inset applications, custom door panels must be provided. Handle hardware must also be provided for overlay and flush inset applications. Refer to Panel Requirements below and the charts on the following pages for custom panel dimensions for your specific design application.

IMPORTANT NOTE: Do not cover a glass door with a solid panel.

Finish all sides of the custom panels. They may be visible when the door is open or through the window of glass door models.

PANEL REQUIREMENTS

WEIGHT PER PANEL	MAX
ICBCL3650R, ICBCL3650F, ICBCL3050W	34 kg
All Other Models	23 kg
Grille Panel	6 kg
Panel Thickness	19 mm

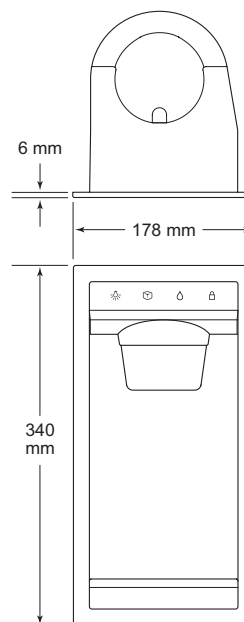
PANEL MOUNTING KIT

The Sub-Zero custom panel mounting kit eliminates the need for the backer and spacer panels and is available through an authorized Sub-Zero dealer.

The kit consists of mounting cleats, screws, and gauges used to properly position the cleats. The kit is available for all Classic series models except glass door models. Dual installations require two mounting kits.

ICE AND WATER DISPENSER

For model ICBCL4850SD, the refrigerator door panel must include a cutout to accommodate the external dispenser. The bezel will accommodate a minimum 19 mm thick panel. Panels thicker than 19 mm must be routed to 22 mm in the dispenser area (29 mm including the backer and spacer panels).



Dispenser dimensions

Overlay Panels

Overlay panels are typically created by combining a 19 mm custom panel, a 3 mm spacer panel, and a 6 mm backer panel. Refer to the illustration below.

When installing two units side by side, refer to page 10 for dual standard installations.

PANEL OFFSET

The illustrations on the right provide panel offsets and reveals for Classic series models in an overlay application. Refer to the chart below for reference to the illustrations.

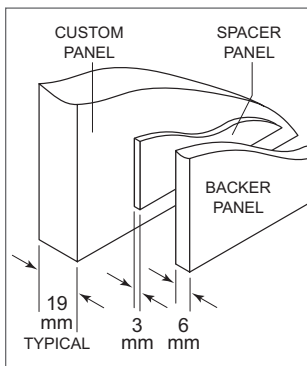
PANEL OFFSET

SIDE-BY-SIDE

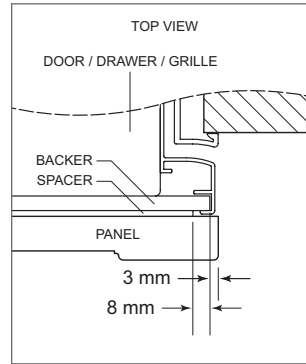
- Doors (hinge) / Grille Sides
- Doors (handle) Sides
- Grille Top
- Grille Bottom / Door Top
- Door Bottom

ILLUS

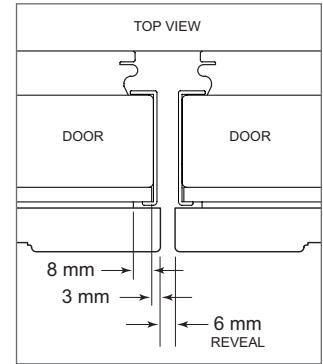
- A
- B
- C
- D
- E



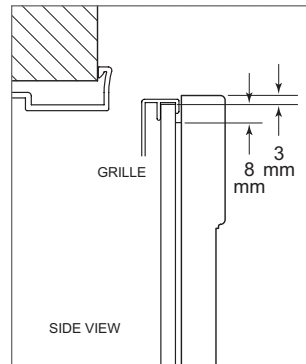
Panel assembly (rear view)



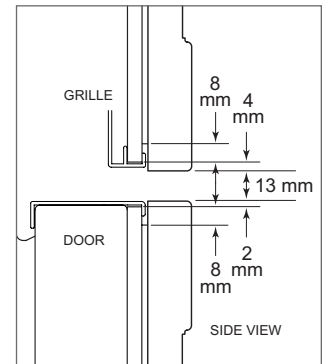
Illus. A



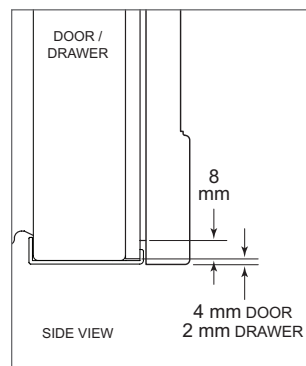
Illus. B



Illus. C

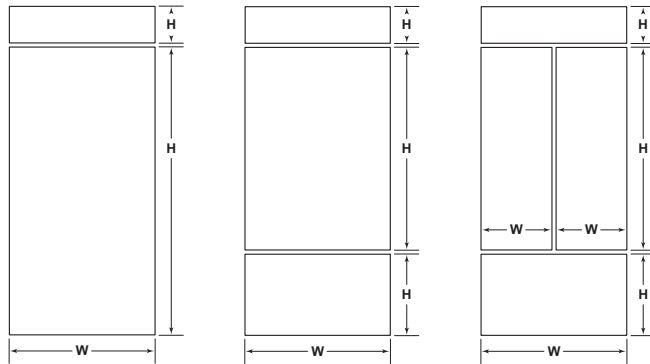


Illus. D



Illus. E

Overlay Panel Dimensions



ICBCL3650R
ICBCL3650F

ICBCL3650U

ICBCL3650UFD
ICBCL4250UFD

MODEL ICBCL3650R, ICBCL3650F

REFRIGERATOR / FREEZER	W	H
Overlay Panel	914 mm	1810 mm
Spacer Panel	892 mm	1789 mm
Backer Panel	908 mm	1805 mm

GRILLE	W	H
Overlay Panel	914 mm	197 mm*
Spacer Panel	892 mm	173 mm
Backer Panel	908 mm	189 mm

*Panel height may be increased by 11 mm to hide upper main frame.

MODEL ICBCL3650U

REFRIGERATOR	W	H
Overlay Panel	914 mm	1286 mm
Spacer Panel	892 mm	1265 mm
Backer Panel	908 mm	1281 mm

FREEZER	W	H
Overlay Panel	914 mm	508 mm
Spacer Panel	892 mm	484 mm
Backer Panel	908 mm	500 mm

GRILLE	W	H
Overlay Panel	914 mm	197 mm*
Spacer Panel	892 mm	173 mm
Backer Panel	908 mm	189 mm

*Panel height may be increased by 11 mm to hide upper main frame.

MODEL ICBCL3650UFD

REFRIGERATOR (2 PANELS)	W	H
Overlay Panel	454 mm	1286 mm
Spacer Panel	432 mm	1265 mm
Backer Panel	448 mm	1281 mm

FREEZER	W	H
Overlay Panel	914 mm	508 mm
Spacer Panel	892 mm	484 mm
Backer Panel	908 mm	500 mm

GRILLE	W	H
Overlay Panel	914 mm	197 mm*
Spacer Panel	892 mm	173 mm
Backer Panel	908 mm	189 mm

*Panel height may be increased by 11 mm to hide upper main frame.

MODEL ICBCL4250UFD

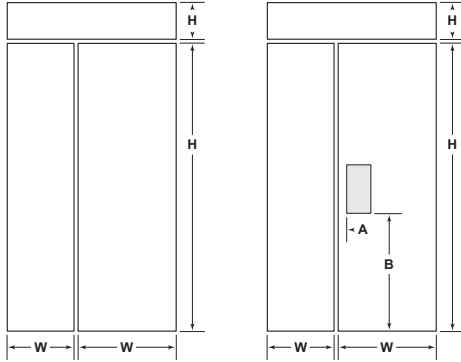
REFRIGERATOR (2 PANELS)	W	H
Overlay Panel	530 mm	1286 mm
Spacer Panel	508 mm	1265 mm
Backer Panel	524 mm	1218 mm

FREEZER	W	H
Overlay Panel	1067 mm	508 mm
Spacer Panel	1045 mm	484 mm
Backer Panel	1060 mm	500 mm

GRILLE	W	H
Overlay Panel	1067 mm	197 mm*
Spacer Panel	1045 mm	173 mm
Backer Panel	1060 mm	189 mm

*Panel height may be increased by 11 mm to hide upper main frame.

Overlay Panel Dimensions



ICBCL4250S(ID)
ICBCL4850S(ID)

ICBCL4850SD

MODEL ICBCL4250S(ID)

REFRIGERATOR	W	H
Overlay Panel	637 mm	1810 mm
Spacer Panel	614 mm	1789 mm
Backer Panel	630 mm	1805 mm

FREEZER	W	H
Overlay Panel	424 mm	1810 mm
Spacer Panel	402 mm	1789 mm
Backer Panel	418 mm	1805 mm

GRILLE	W	H
Overlay Panel	1067 mm	197 mm*
Spacer Panel	1045 mm	173 mm
Backer Panel	1060 mm	189 mm

*Panel height may be increased by 11 mm to hide upper main frame.

MODEL ICBCL4850S(ID), ICBCL4850SD

REFRIGERATOR	W	H
Overlay Panel	730 mm	1810 mm
Spacer Panel	708 mm	1789 mm
Backer Panel	724 mm	1805 mm

FREEZER	W	H
Overlay Panel	483 mm	1810 mm
Spacer Panel	460 mm	1789 mm
Backer Panel	476 mm	1805 mm

GRILLE	W	H
Overlay Panel	1219 mm	197 mm*
Spacer Panel	1197 mm	173 mm
Backer Panel	1213 mm	189 mm

ICBCL4850SD	W	H
Dispenser Cutout	162 mm	330 mm
Cutout Location	A 54 mm	B 832 mm

*Panel height may be increased by 11 mm to hide upper main frame.

Flush Inset Panels

The flush inset application is an overlay model with flush inset panels. It is not a separate model.

The flush inset design allows custom panels to be installed flush with adjacent cabinets. Similar to overlay, flush inset panels are typically created by combining a 19 mm custom panel, a 3 mm spacer panel, and a 6 mm backer panel. Refer to the illustration below.

For flush inset panels thicker than 19 mm, a 90° door stop may be required to prevent interference with adjacent cabinets. Refer to the full-scale templates at the end of this guide.

PANEL OFFSET

The illustrations on the right provide panel offsets and reveals for Classic series models in a flush inset application. Refer to the chart below for reference to the illustrations.

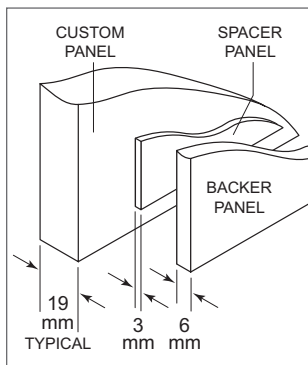
PANEL OFFSET

SIDE-BY-SIDE

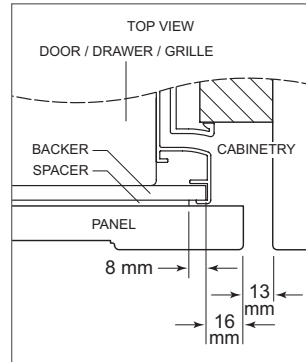
- Doors (hinge) / Grille Sides
- Doors (handle) Sides
- Grille Top
- Grille Bottom / Door Top
- Door Bottom

ILLUS

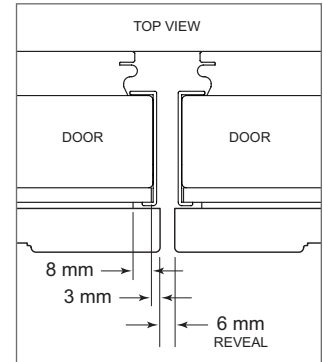
- A
- B
- C
- D
- E



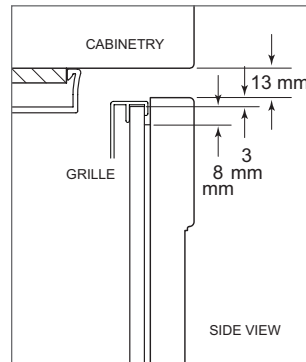
Panel assembly (rear view)



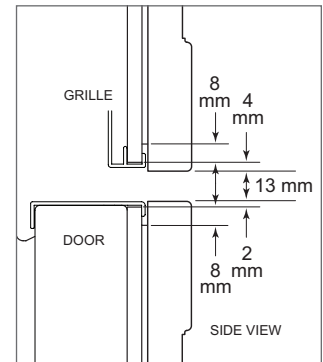
Illus. A



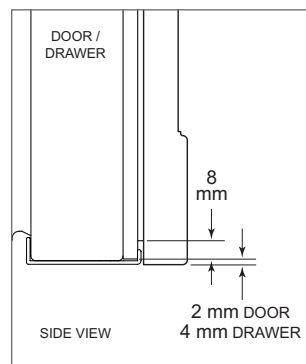
Illus. B



Illus. C

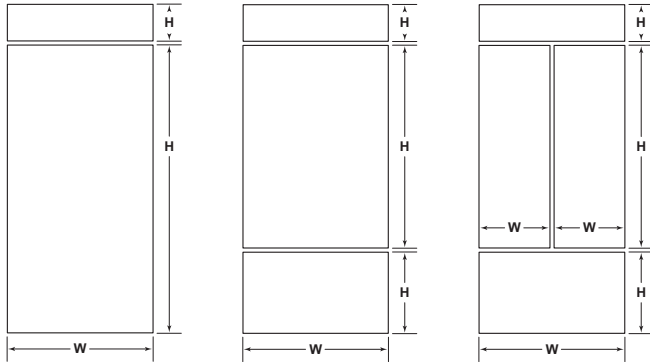


Illus. D



Illus. E

Flush Inset Panel Dimensions



ICBCL3650R
ICBCL3650F

ICBCL3650U

ICBCL3650UFD
ICBCL4250UFD

MODEL ICBCL3650R, ICBCL3650F

REFRIGERATOR / FREEZER	W	H
Flush Inset Panel	940 mm	1810 mm
Spacer Panel	892 mm	1789 mm
Backer Panel	908 mm	1805 mm

GRILLE	W	H
Flush Inset Panel	940 mm	197 mm
Spacer Panel	892 mm	173 mm
Backer Panel	908 mm	189 mm

MODEL ICBCL3650U

REFRIGERATOR	W	H
Flush Inset Panel	940 mm	1286 mm
Spacer Panel	892 mm	1265 mm
Backer Panel	908 mm	1281 mm

FREEZER	W	H
Flush Inset Panel	940 mm	508 mm
Spacer Panel	892 mm	484 mm
Backer Panel	908 mm	500 mm

GRILLE	W	H
Flush Inset Panel	940 mm	197 mm
Spacer Panel	892 mm	173 mm
Backer Panel	908 mm	189 mm

MODEL ICBCL3650UFD

REFRIGERATOR (2 PANELS)	W	H
Flush Inset Panel	467 mm	1286 mm
Spacer Panel	432 mm	1265 mm
Backer Panel	448 mm	1281 mm

FREEZER	W	H
Flush Inset Panel	940 mm	508 mm
Spacer Panel	892 mm	484 mm
Backer Panel	908 mm	500 mm

GRILLE	W	H
Flush Inset Panel	940 mm	197 mm
Spacer Panel	892 mm	173 mm
Backer Panel	908 mm	189 mm

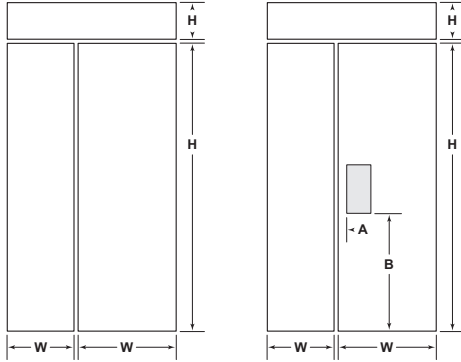
MODEL ICBCL4250UFD

REFRIGERATOR (2 PANELS)	W	H
Flush Inset Panel	543 mm	1286 mm
Spacer Panel	508 mm	1265 mm
Backer Panel	524 mm	1281 mm

FREEZER	W	H
Flush Inset Panel	1092 mm	508 mm
Spacer Panel	1045 mm	484 mm
Backer Panel	1060 mm	500 mm

GRILLE	W	H
Flush Inset Panel	1092 mm	197 mm
Spacer Panel	1045 mm	173 mm
Backer Panel	1060 mm	189 mm

Flush Inset Panel Dimensions



ICBCL4250S(ID)
ICBCL4850S(ID)

ICBCL4850SD

MODEL ICBCL4250S(ID)

REFRIGERATOR	W	H
Flush Inset Panel	649 mm	1810 mm
Spacer Panel	614 mm	1789 mm
Backer Panel	630 mm	1805 mm

FREEZER	W	H
Flush Inset Panel	437 mm	1810 mm
Spacer Panel	402 mm	1789 mm
Backer Panel	418 mm	1805 mm

GRILLE	W	H
Flush Inset Panel	1092 mm	197 mm
Spacer Panel	1045 mm	173 mm
Backer Panel	1060 mm	189 mm

MODEL ICBCL4850S(ID), ICBCL4850SD

REFRIGERATOR	W	H
Flush Inset Panel	743 mm	1810 mm
Spacer Panel	708 mm	1789 mm
Backer Panel	724 mm	1805 mm

FREEZER	W	H
Flush Inset Panel	495 mm	1810 mm
Spacer Panel	460 mm	1789 mm
Backer Panel	476 mm	1805 mm

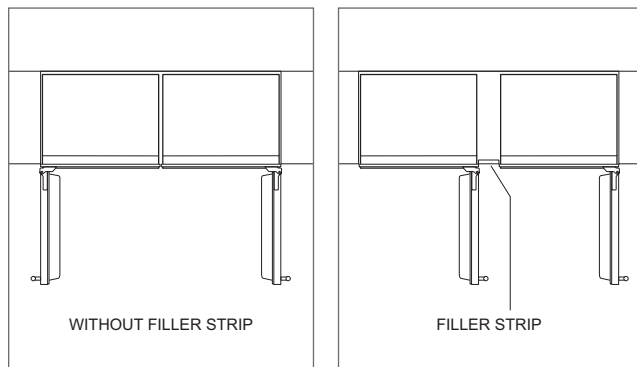
GRILLE	W	H
Flush Inset Panel	1245 mm	197 mm
Spacer Panel	1197 mm	173 mm
Backer Panel	1213 mm	189 mm

ICBCL4850SD	W	H
Dispenser Cutout	162 mm	330 mm
Cutout Location	A 54 mm	B 832 mm

Dual Installation

If two units are installed side by side, a dual installation kit may be required. Installations without a custom filler strip require a dual installation kit. If a dual installation kit is not specified, a 51 mm filler strip is recommended between the units. A custom filler strip is required when installing two French door or side-by-side models. Dual installations without a filler strip can only be accomplished using two units with opposite hinges. Refer to the illustrations below.

Dual installation kits are available through an authorized Sub-Zero dealer.



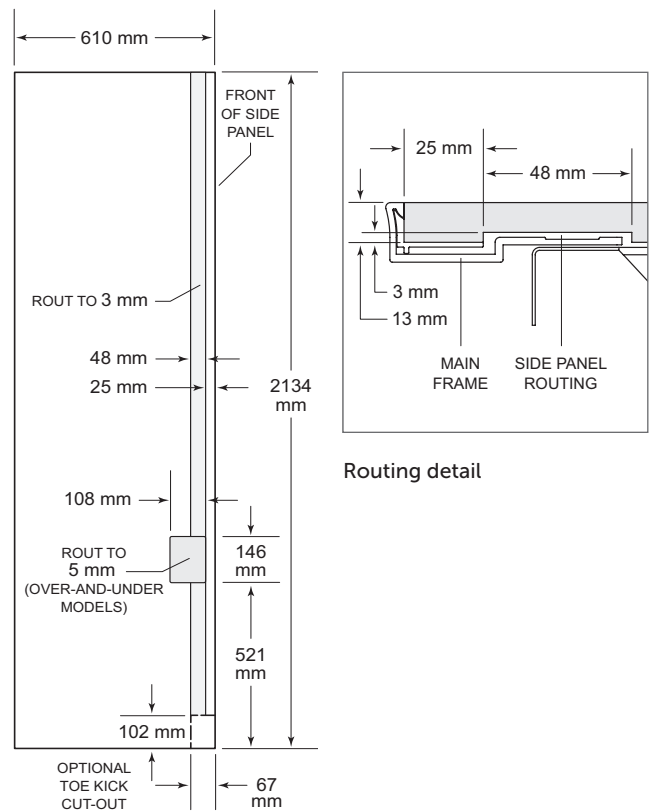
Opposite hinges

Same side hinges

Side Panel

The custom side panels must be a minimum of 610 mm deep and 13 mm thick. Routing will be necessary for the side panel to fit flush against the side of the unit. Refer to the illustrations below.

When installing a Classic series unit with a custom side panel, an accessory kit is required. Stainless steel side panels are available through an authorized Sub-Zero dealer.



Side panel dimensions

Routing detail

Standard Handles

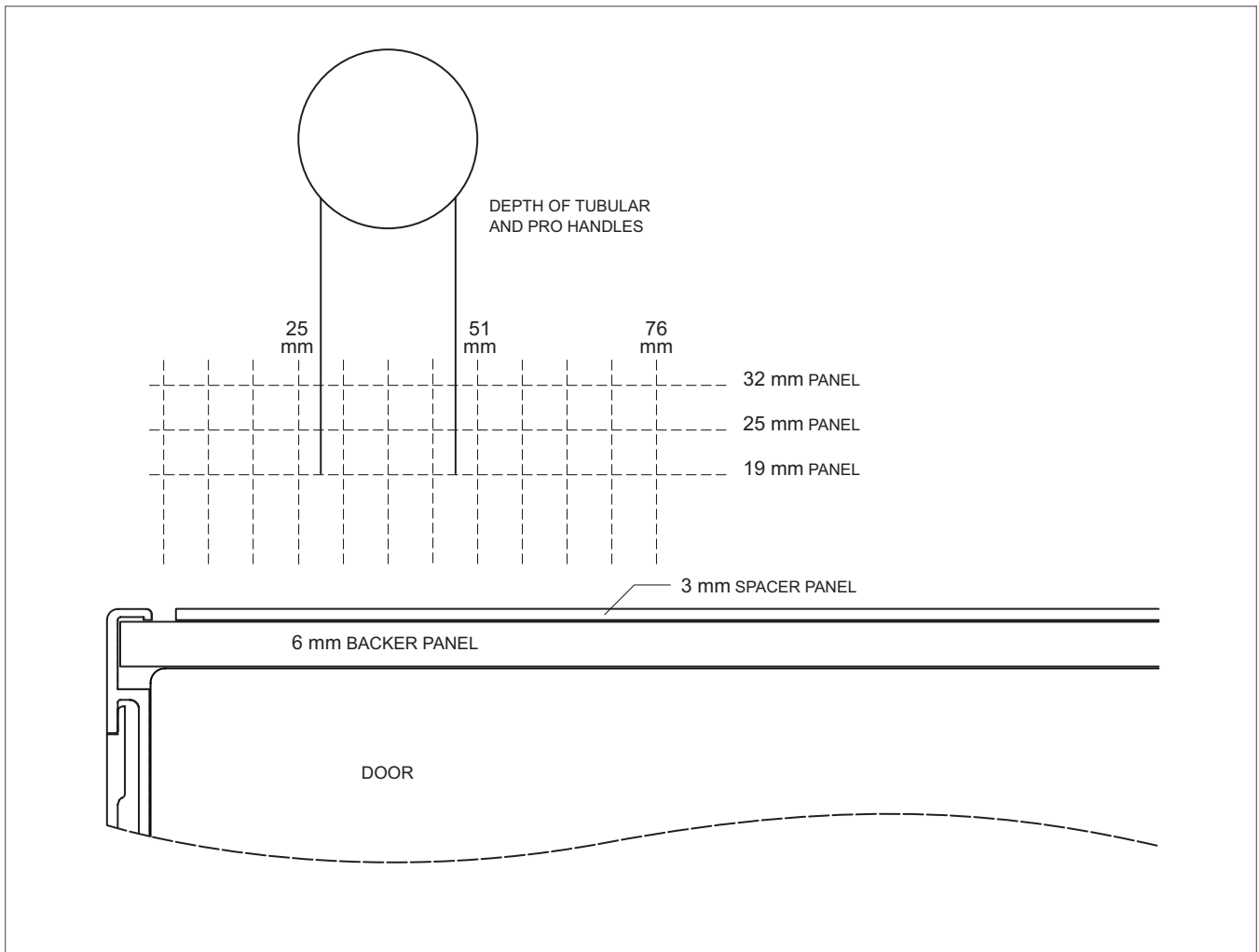
Optional stainless steel tubular and pro handles are available through an authorized Sub-Zero dealer. Refer to the chart below for standard handle lengths.

HANDLE LENGTH	TUBULAR	PRO
Full Door	1622 mm	1147 mm
Over-and-Under Door	1124 mm	952 mm
914 mm Drawer	770 mm	600 mm
1067 mm Drawer	922 mm	753 mm

Overlay / Flush Inset Panels

FULL-SCALE TEMPLATE

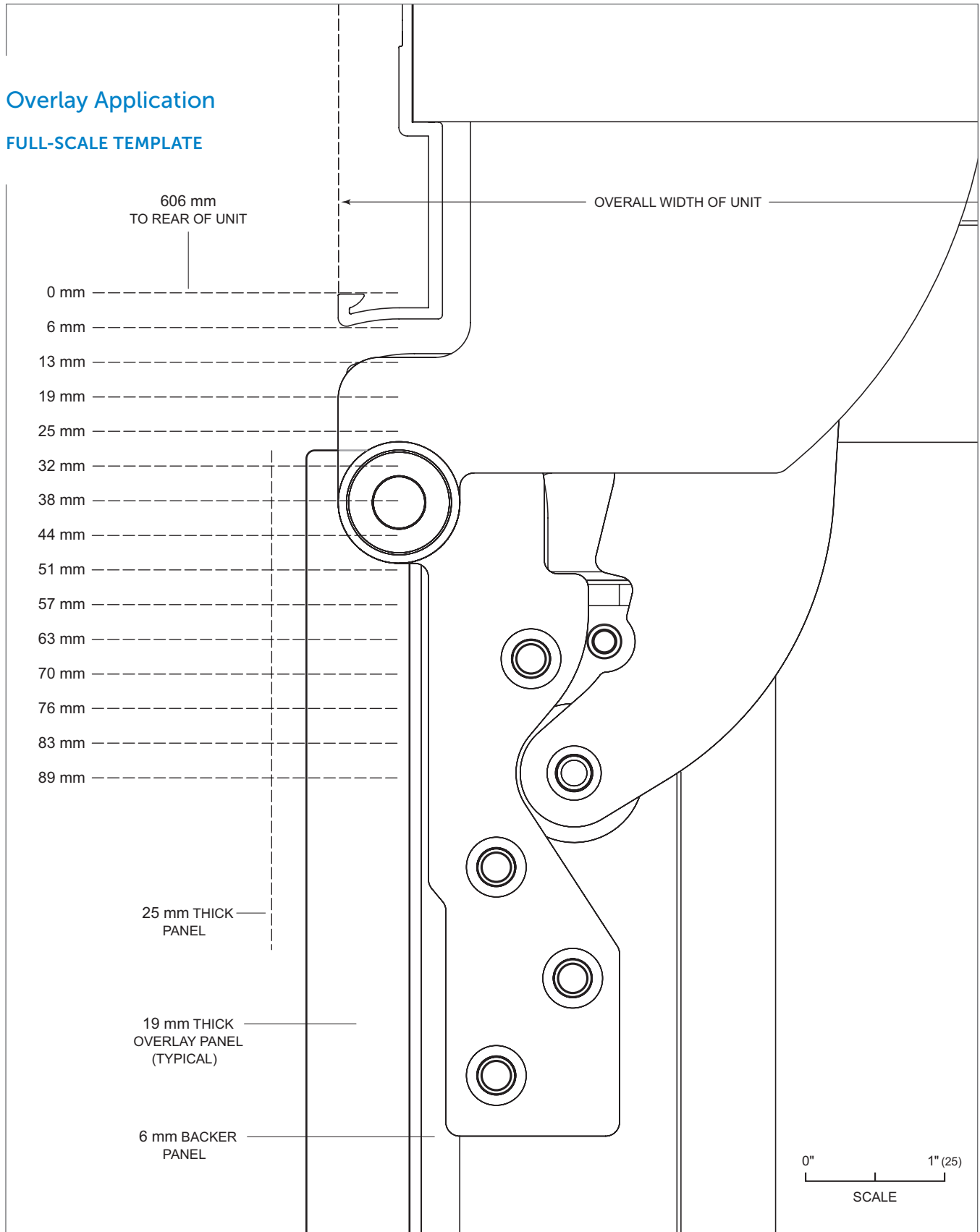
Overlay and flush inset panels must be a minimum of 19 mm thick to support mounting the handle. Panel thickness does not include the backer and spacer panels. Mount the handle close to the opening edge of the door.



Overlay and flush inset panel thickness

Overlay Application

FULL-SCALE TEMPLATE

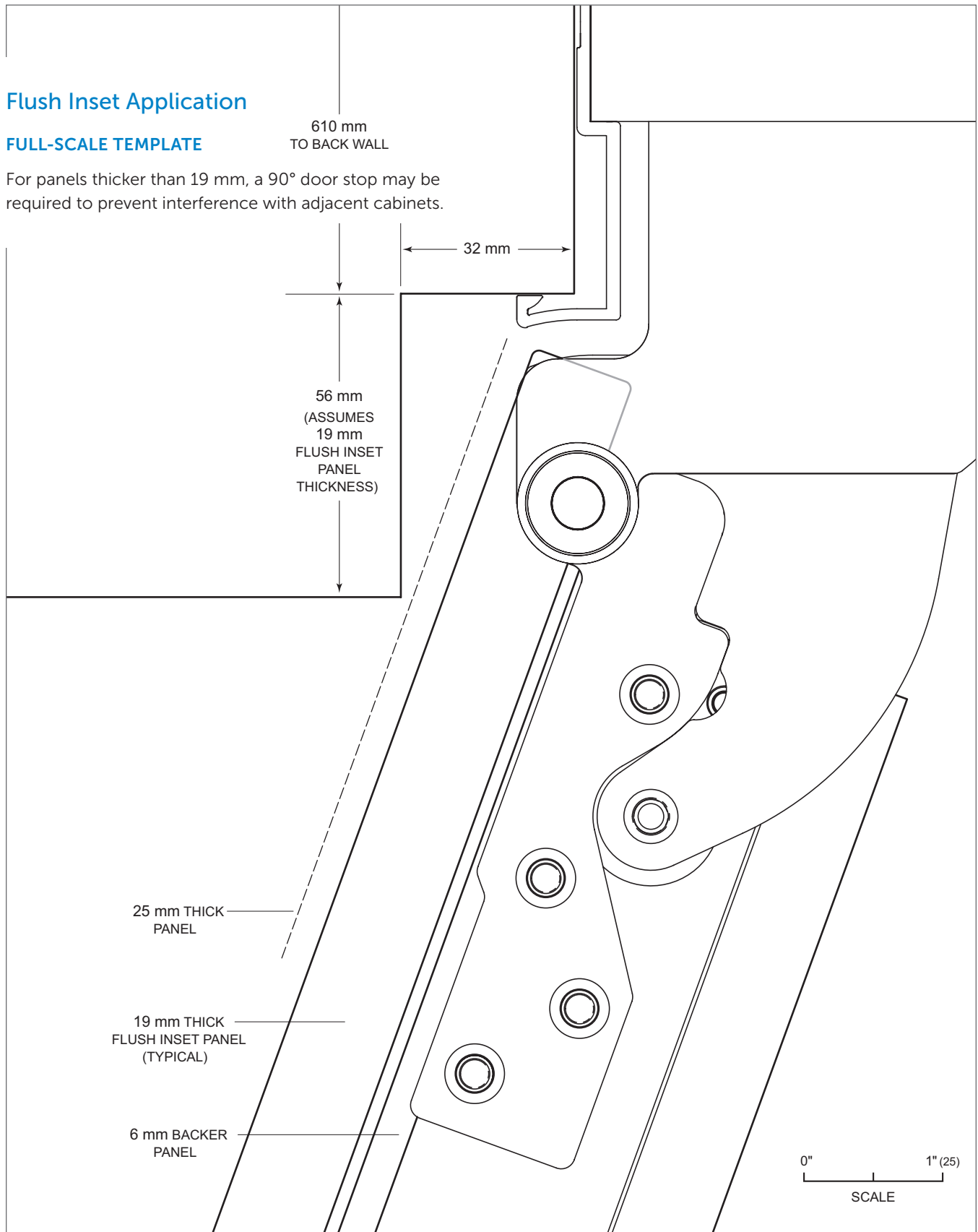


90° door opening (top view)

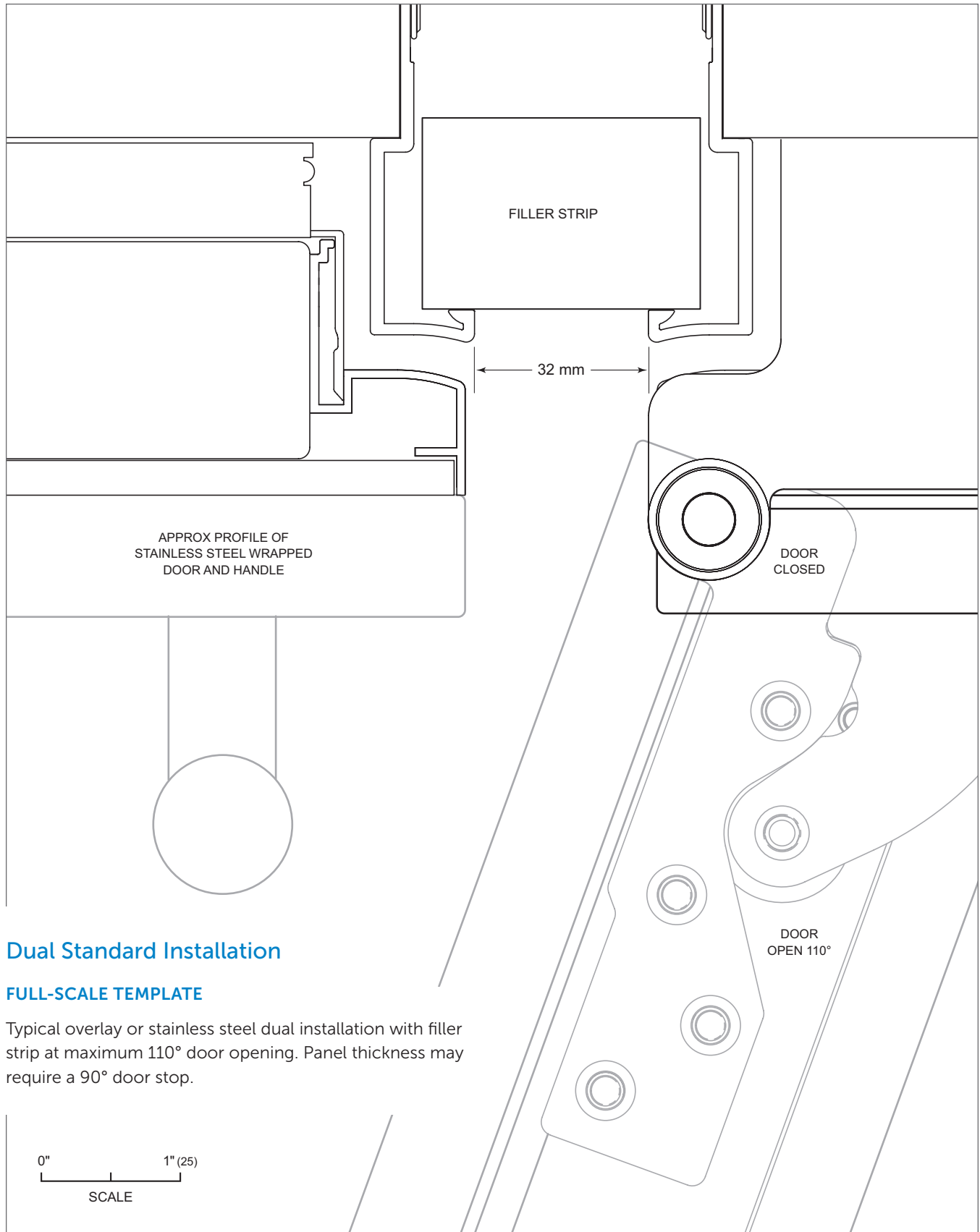
Flush Inset Application

FULL-SCALE TEMPLATE

For panels thicker than 19 mm, a 90° door stop may be required to prevent interference with adjacent cabinets.



110° door opening (top view)



Dual Standard Installation

FULL-SCALE TEMPLATE

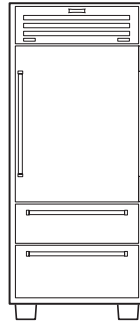
Typical overlay or stainless steel dual installation with filler strip at maximum 110° door opening. Panel thickness may require a 90° door stop.

Dual standard installation (top view)

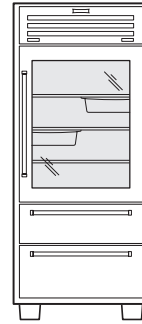
PRO Series Refrigeration

Freshness finds unmistakable expression with Sub-Zero PRO Series Refrigeration. A monument to food preservation—equal parts sculpted metal design statement and culinary secret weapon. Its vast interior, like its bold exterior, is crafted of stainless steel. Available in 914 mm and 1219 mm widths, with a glass or solid door, and may be either built in or freestanding.

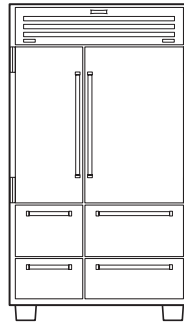
PRO SERIES MODELS



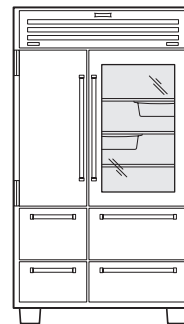
ICBPRO3650



ICBPRO3650G



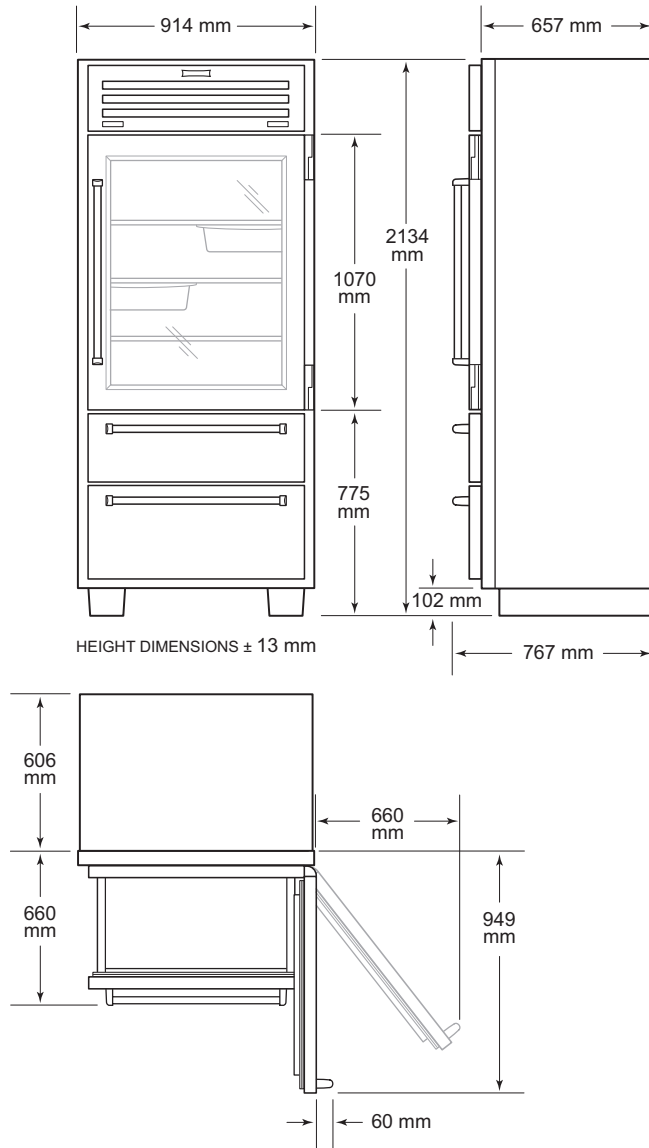
ICBPRO4850



ICBPRO4850G

PRO Series Refrigeration

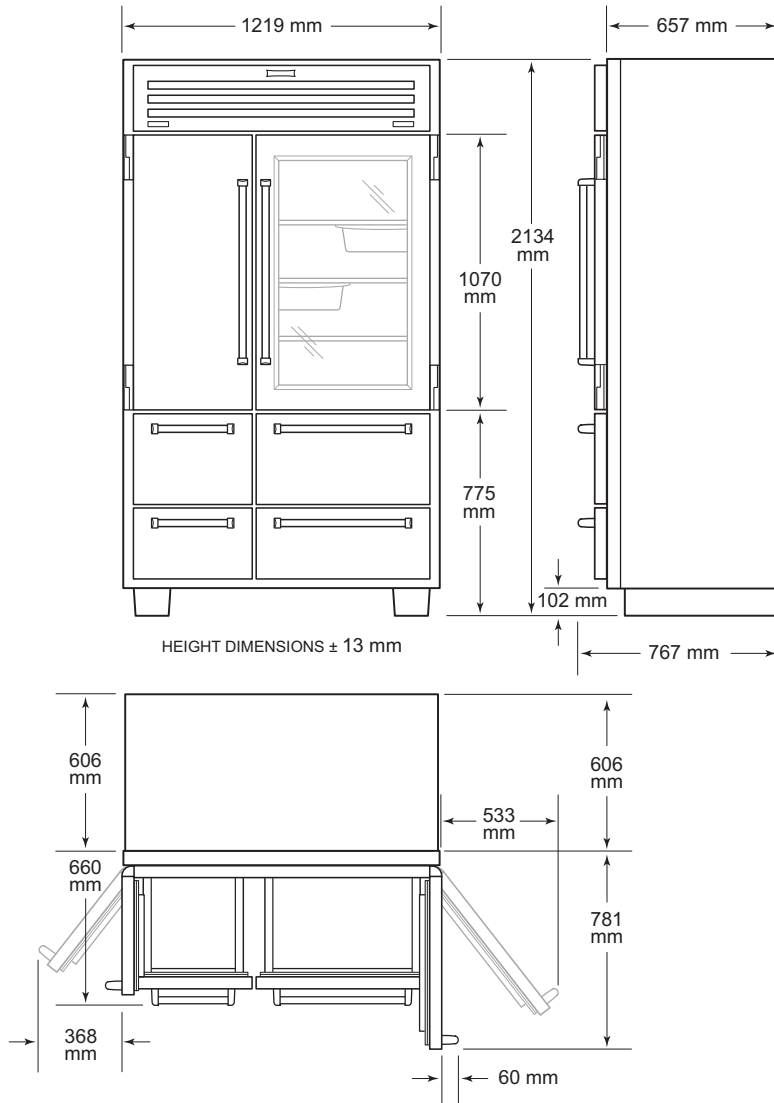
914 mm MODEL



Model ICBPRO3650 / ICBPRO3650G

PRO Series Refrigeration

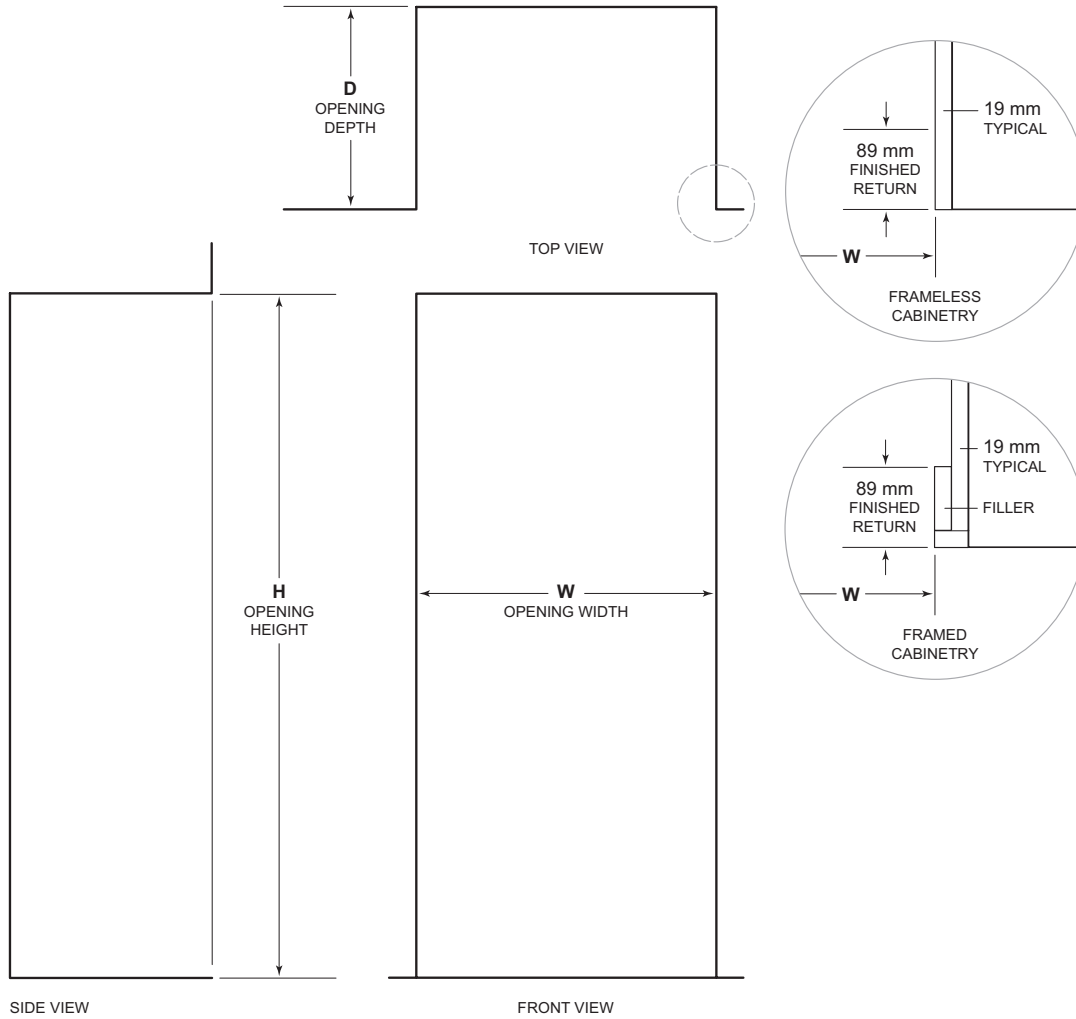
1219 mm MODEL



Model ICBPRO4850 / ICBPRO4850G

Opening Dimensions

STANDARD / FLUSH INSTALLATION



NOTE: 89 mm finished returns will be visible and should be finished to match cabinetry.

STANDARD OPENING	W	H	D
914 mm Model	902 mm	2127 mm	610 mm
1219 mm Model	1206 mm	2127 mm	610 mm

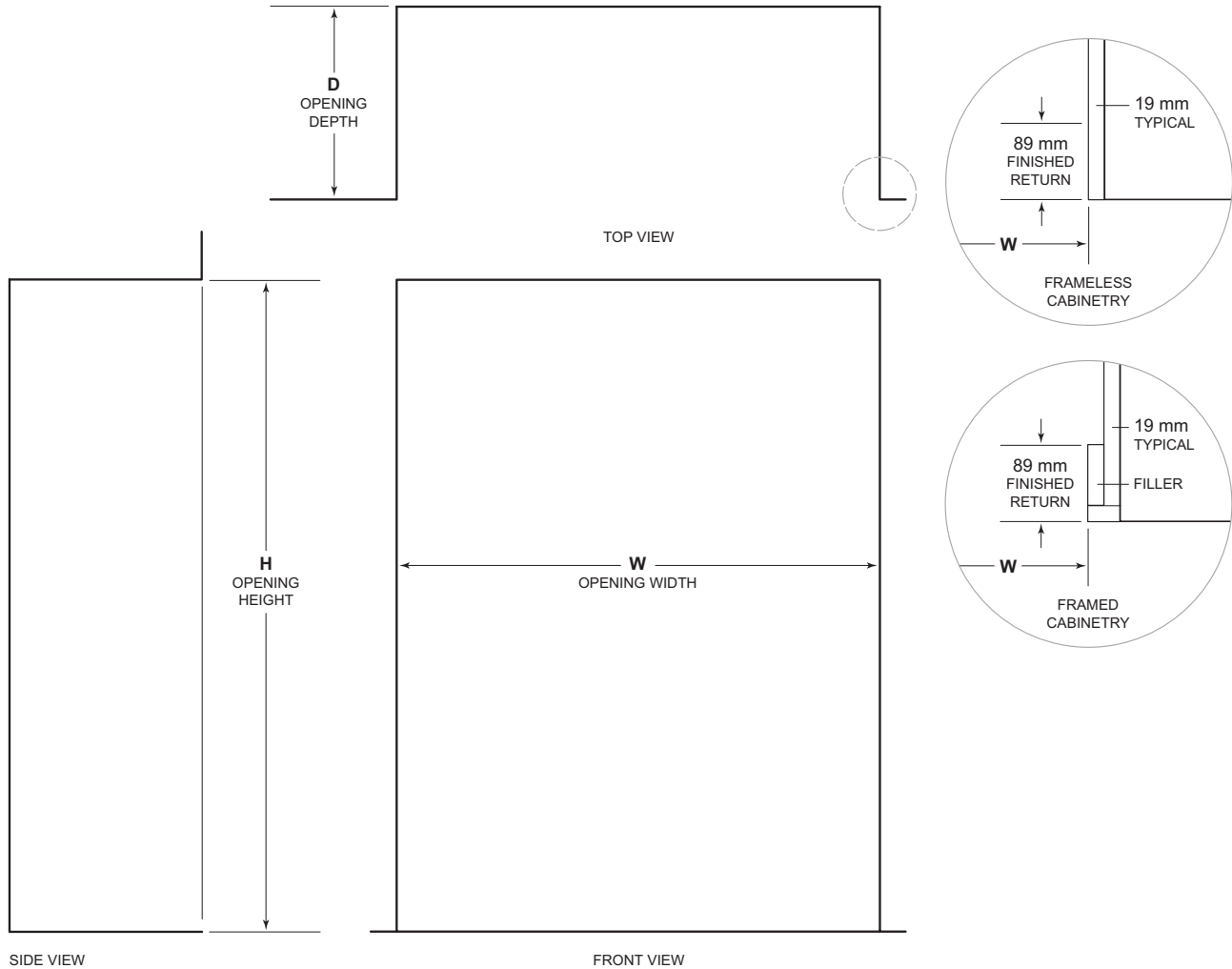
For standard installations, the face frame will extend 51 mm beyond cabinetry.

FLUSH OPENING	W	H	D
914 mm Model	914 mm	2137 mm	660 mm
1219 mm Model	1219 mm	2137 mm	660 mm

For flush installations, the face frame will be flush with surrounding cabinetry.

Opening Dimensions

DUAL STANDARD / FLUSH INSTALLATION



NOTE: 89 mm finished returns will be visible and should be finished to match cabinetry.

DUAL STANDARD OPENING	W	H	D
Two 914 mm Models	1816 mm	2127 mm	610 mm

DUAL FLUSH OPENING	W	H	D
Two 914 mm Models	1829 mm	2137 mm	660 mm

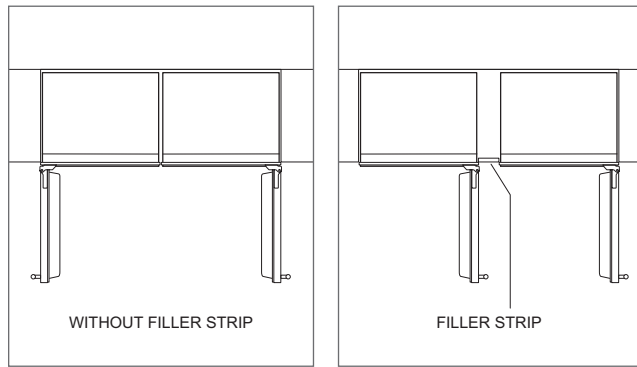
For standard installations, the face frame will extend 51 mm beyond cabinetry. A dual installation kit is required for this installation.

For flush installations, the face frame will be flush with surrounding cabinetry. A dual installation kit is required for this installation.

Dual Installation

If two units are installed side by side, a dual installation kit may be required. Installations without a custom filler strip require a dual installation kit. If a dual installation kit is not specified, a 51 mm filler strip is recommended between the units. Dual installations without a filler strip can only be accomplished using two units with opposite hinges. Refer to the illustrations below.

Dual installation kits are available through an authorized Sub-Zero dealer. For questions regarding the installation, contact your authorized Sub-Zero dealer.



Opposite hinges

Same side hinges

Electrical Requirements

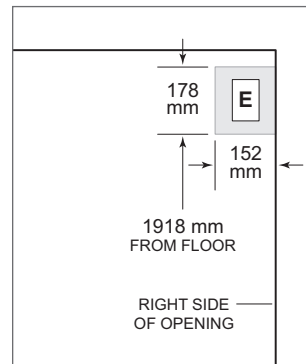
Installation must comply with all applicable electrical codes and be properly grounded (earthed).

International models from the factory designed without a transformer require a 220-240 V AC, 50/60 Hz electrical supply, fused at the correct rating for the unit. If required by local or national codes, the power cord can be easily replaced using the power inlet device.

Locate the electrical supply within the shaded area shown in the illustration below. A separate circuit servicing only this appliance is required. A ground fault circuit interrupter (GFCI) is not recommended and may cause interruption of operation.

ELECTRICAL REQUIREMENTS

Power Supply	220-240 V AC, 50/60 Hz
Circuit Breaker	10 amp
Receptacle	grounding-type (earthed)



Electrical supply location

Plumbing Requirements

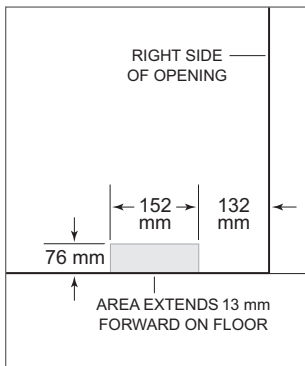
Installation must comply with all applicable plumbing codes.

Locate the water supply line within the shaded area shown in the illustration below. Connect the water supply line to the house supply with an easily accessible shut-off valve. Do not use self-piercing valves. The water supply line must not interfere with the installation of the anti-tip bracket.

A reverse osmosis system can be used provided there is constant water pressure of 2.4–8.3 bar supplied to the unit at all times. A copper line is not recommended for this application.

PLUMBING REQUIREMENTS

Water Supply	6.4 mm OD copper line, braided stainless steel, or PEX tubing
Water Pressure	2.4–8.3 bar
Excess Water Line for Connection	.9 m



Water supply location

Standard Handles

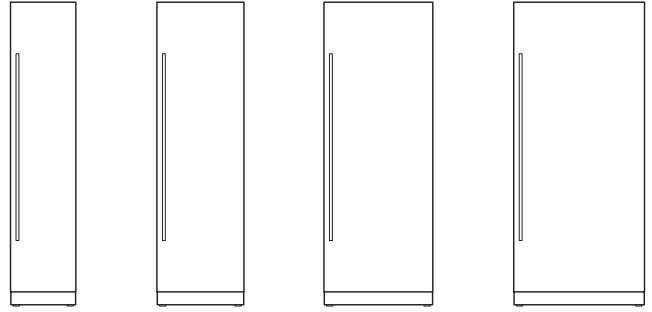
Optional stainless steel pro handles are available through an authorized Sub-Zero dealer. Refer to the chart below for standard handle lengths.

HANDLE LENGTH	914 mm MODEL	1219 mm MODEL
Door	703 mm	703 mm
Refrigerator Drawer	665 mm	506 mm
Freezer Drawer	665 mm	294 mm

Designer Series Refrigeration

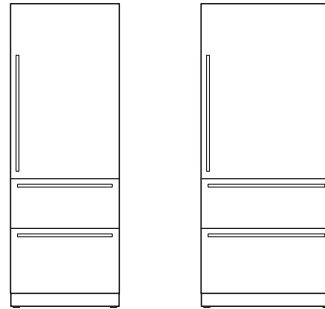
With custom front panels and hardware, Sub-Zero invented Designer Series columns, tall, and drawer models that disappear into the decor. Units fit flush with other cabinetry, making Designer Series refrigeration as practical and beautiful in the master suite, bar, or theatre room as in the kitchen. Model ICBID-24RO, approved for outdoor installations, is ideal for any outdoor kitchen.

COLUMN MODELS



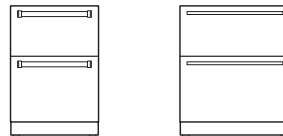
ICBDEC1850FI ICBDEC2450R ICBDEC3050RID ICBDEC3650RID
ICBDEC2450FI ICBDEC3050FI

TALL MODELS



ICBDET3050CIID ICBDET3650CIID

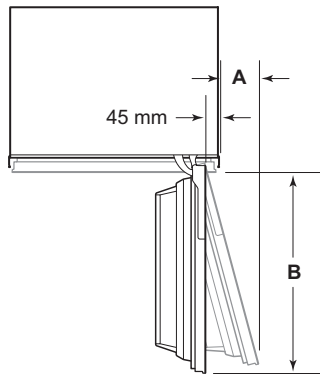
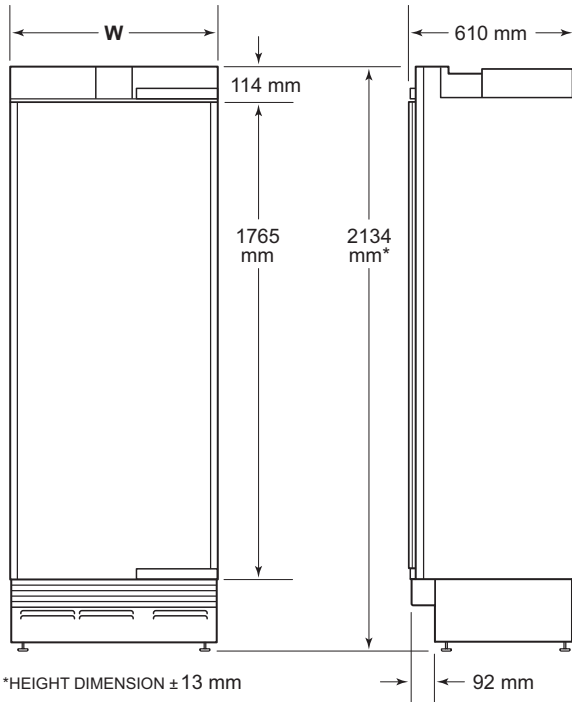
DRAWER MODELS



ICBID-24RO ICBID-30R
ICBID-30FI ICBID-30CI

Overall Dimensions

COLUMN



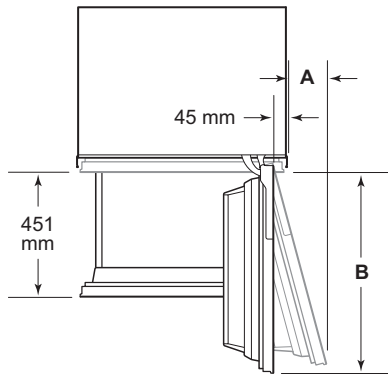
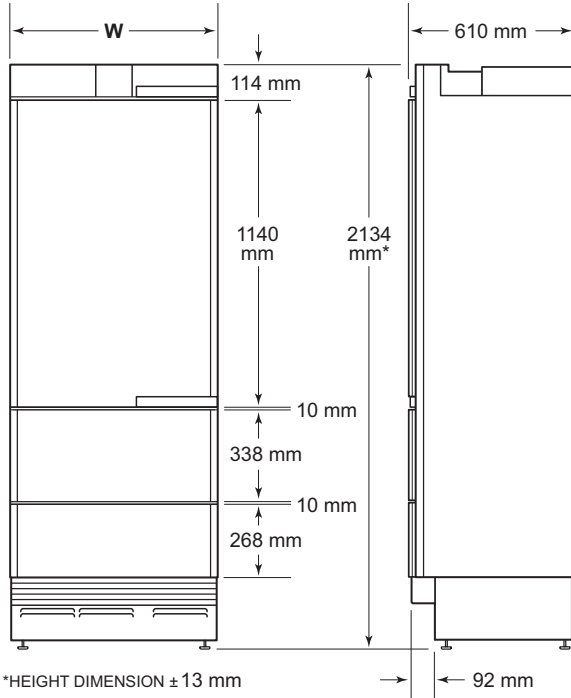
COLUMN

	W	A	B
457 mm Column	457 mm	64 mm	419 mm
610 mm Column	610 mm	102 mm	572 mm
762 mm Column	762 mm	143 mm	724 mm
914 mm Column	914 mm	184 mm	876 mm

IMPORTANT NOTE: Overall dimensions do not include panels or handles. Dimensions will vary with panel thickness.

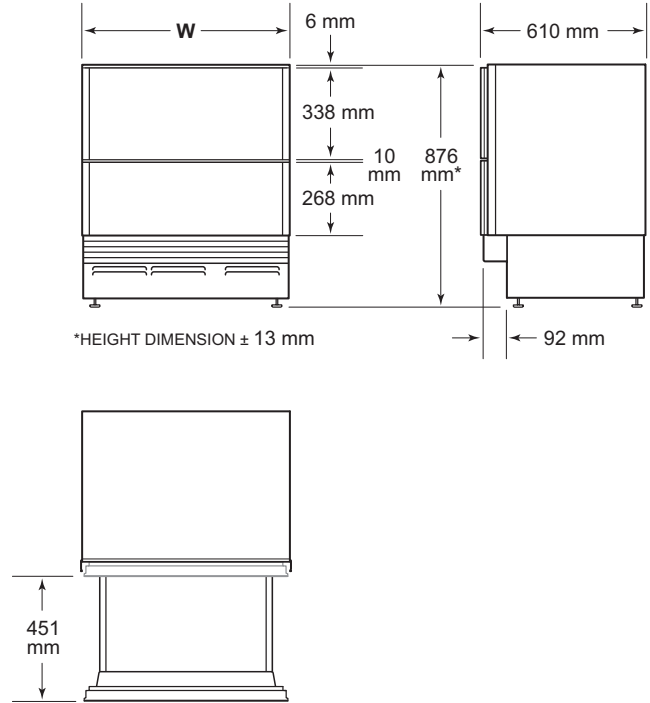
Overall Dimensions

TALL



TALL	W	A	B
762 mm Tall	762 mm	143 mm	724 mm
914 mm Tall	914 mm	184 mm	876 mm

DRAWER



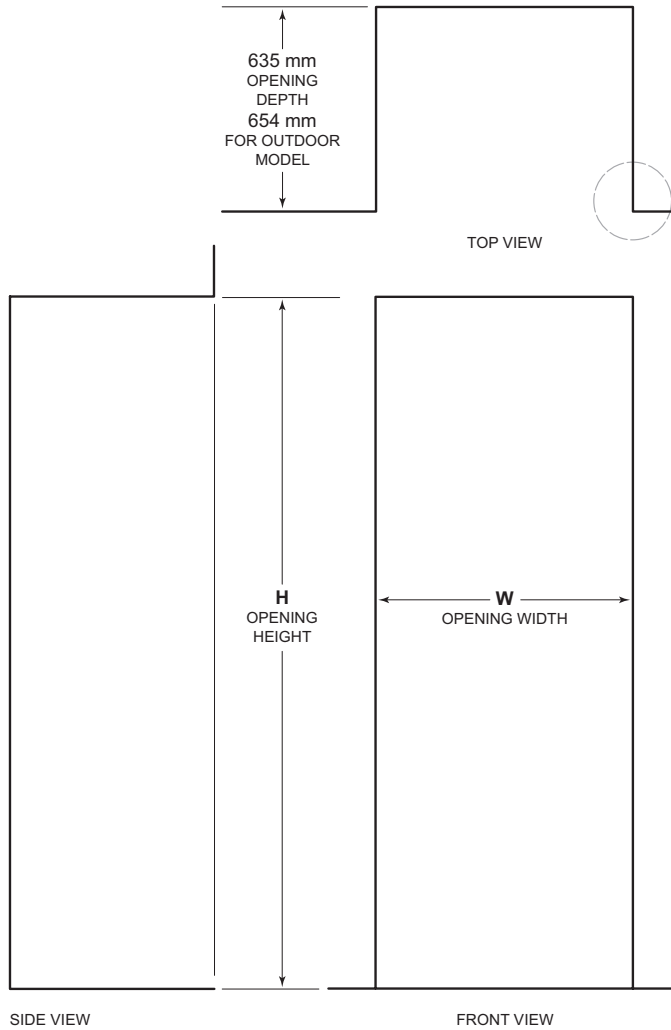
DRAWER

	W
610 mm Drawer	610 mm
762 mm Drawer	762 mm

IMPORTANT NOTE: Overall dimensions do not include panels or handles. Dimensions will vary with panel thickness.

Opening Dimensions

DESIGNER SERIES



OPENING DIMENSIONS

COLUMN	W*	H
457 mm Column	457 mm	2134 mm
610 mm Column	610 mm	2134 mm
762 mm Column	762 mm	2134 mm
914 mm Column	914 mm	2134 mm

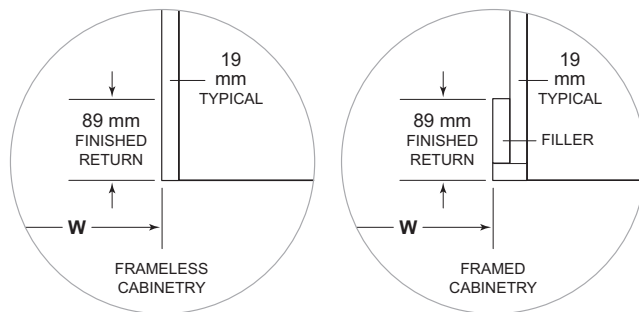
TALL	W*	H
762 mm Tall	762 mm	2134 mm
914 mm Tall	914 mm	2134 mm

DRAWER	W*	H
610 mm Drawer	610 mm	876 mm
762 mm Drawer	762 mm	876 mm

*For stainless steel side panel accessory, add 25 mm per panel to opening width.

The depth of each Designer Series model is 610 mm. Allow for panel thickness when planning the finished opening depth. A minimum 89 mm finished return is required on all sides of the opening—114 mm for the outdoor model. Framed cabinets will require additional finished filler material behind the face frame for a proper installation. Refer to the illustration.

NOTE: 89 mm finished returns will be visible and should be finished to match cabinetry—114 mm for outdoor model.



Dual Installation

When installing two units side by side in a dual installation, the opening width is the width of the two units added together. A dual installation kit will be required for this installation. If a dual installation kit is not specified, a minimum 51 mm filler strip is required between the units.

Dual installation kits are available through an authorized Sub-Zero dealer. For questions regarding the installation, contact your authorized Sub-Zero dealer.

Electrical Requirements

Installation must comply with all applicable electrical codes and be properly grounded (earthed).

The electrical supply must be located within the shaded area shown in the illustration and chart below. A separate circuit servicing only this appliance is required.

IMPORTANT NOTE: For indoor models, a ground fault circuit interrupter (GFCI) is not recommended and may cause interruption of operation.

For the outdoor model, a ground fault circuit interrupter (GFCI) is required to reduce the risk of electrical shock.

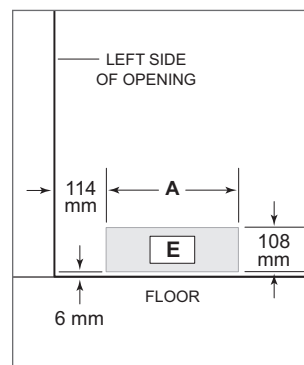
The electrical outlet must be positioned with the grounding prong to the right of the thinner blades.

ELECTRICAL REQUIREMENTS

Power Supply	220-240 V AC, 50/60 Hz
Circuit Breaker	10 amp
Receptacle	grounding-type (earthed)

ELECTRICAL SUPPLY LOCATION

	A
457 mm Model	152 mm
610 mm Model	241 mm
762 mm Model	318 mm
914 mm Model	394 mm



Electrical supply location

Plumbing Requirements

Installation must comply with all applicable plumbing codes.

Locate the water supply line within the shaded area shown in the illustration. Connect the water supply line to the house supply with an easily accessible shut-off valve. Do not use self-piercing valves. The water supply line must not interfere with the installation of the anti-tip bracket.

Column and tall models with an ice maker or water dispenser feature a water filtration system. An in-line filter is required for drawer models with an ice maker when water conditions have a high sediment content.

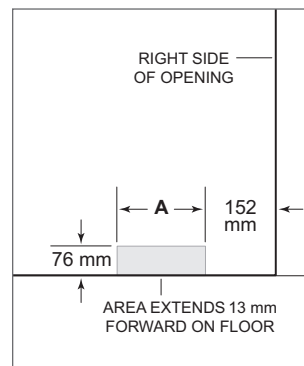
A reverse osmosis system can be used provided there is constant water pressure of 2.4–8.3 bar supplied to the unit at all times. A copper line is not recommended for this application.

PLUMBING REQUIREMENTS

Water Supply Line	6.4 mm OD copper line, braided stainless steel, or PEX tubing
Water Pressure	2.4–8.3 bar
Excess Water Line for Connection	.9 m

WATER SUPPLY LOCATION

	A
457 mm Model	76 mm
610 mm Model	140 mm
762 mm Model	152 mm
914 mm Model	229 mm



Water supply location

Stainless Steel Panels

The outdoor model requires the use of Sub-Zero stainless steel outdoor accessory panels. Stainless steel panels are available through an authorized Sub-Zero dealer.

The thickness of indoor stainless steel panels is 19 mm and outdoor stainless steel panels is 38 mm. The depth of each Designer Series model is 610 mm. Allow for panel thickness when planning the finished opening depth.

Reveals of 3 mm are typical, however, the reveal between the upper and lower outdoor stainless steel panels is 6 mm to accommodate the lock.

Custom Panels

For Designer Series models, custom door/drawer panels and handle hardware must be provided.

The thickness of the custom panel can vary. A minimum 16 mm thick panel is required, but the thickness can be increased provided it does not exceed the maximum panel weight indicated in the chart below. The depth of each Designer Series model is 610 mm. Allow for panel thickness when planning the finished opening depth. Refer to the full-scale template on page 43.

Reveals between panels can vary, 3 mm reveals are typical.

⚠ CAUTION

As reveals between cabinetry and the unit decrease, severe finger pinching can occur while the door is closing.

Finish all sides of the custom panels. They will be visible when the door/drawer is open.

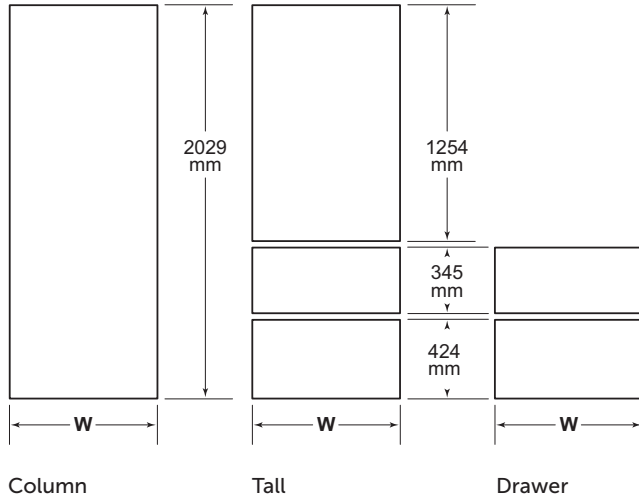
D-style handles are recommended. Locate the door handle near the edge of the panel opposite the hinge and centered top to bottom. Locate the drawer handles near the top edge of each panel. Stainless steel tubular and pro handles are available through an authorized Sub-Zero dealer.

PANEL REQUIREMENTS

WEIGHT PER PANEL	MAX
457 mm Column	20 kg
610 mm Column	27 kg
762 mm Column	34 kg
914 mm Column	34 kg
WEIGHT PER PANEL	MAX
762 mm Tall (door)	22 kg
914 mm Tall (door)	27 kg
Drawer Panel	7 kg
PANEL THICKNESS	MIN
All Panels	16 mm

Custom Panels

TYPICAL PANEL DIMENSIONS



Typical panel dimensions are based on a 2134 mm finished height for column and tall models and 876 mm for drawer models, with a 102 mm toe kick and 3 mm reveals. Panel dimensions must be adjusted accordingly for all other installations. Refer to the illustration for panel height and the chart below for panel width.

PANEL WIDTH	W
457 mm Model	451 mm
610 mm Model	603 mm
762 mm Model	756 mm
914 mm Model	908 mm

DUAL INSTALLATION

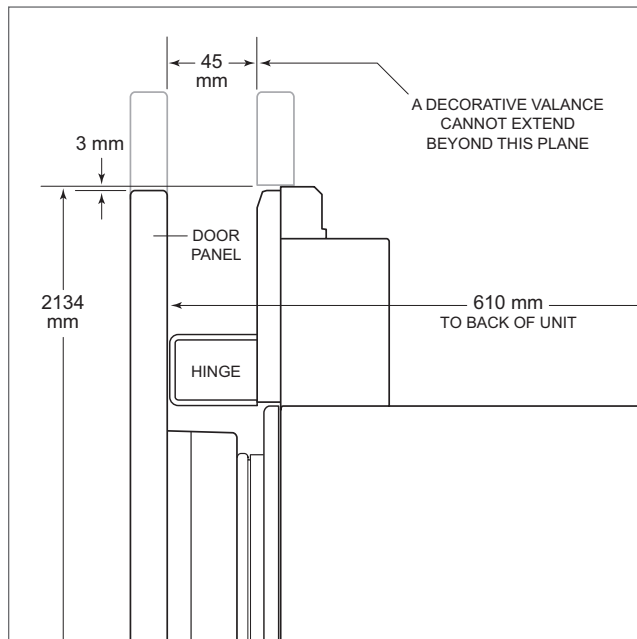
For dual installations, refer to the illustration for panel height and the chart below for panel width.

PANEL WIDTH—DUAL INSTALLATION	W
457 mm Model	452 mm
610 mm Model	605 mm
762 mm Model	757 mm
914 mm Model	910 mm

Custom Panels

DOOR PANEL HEIGHT

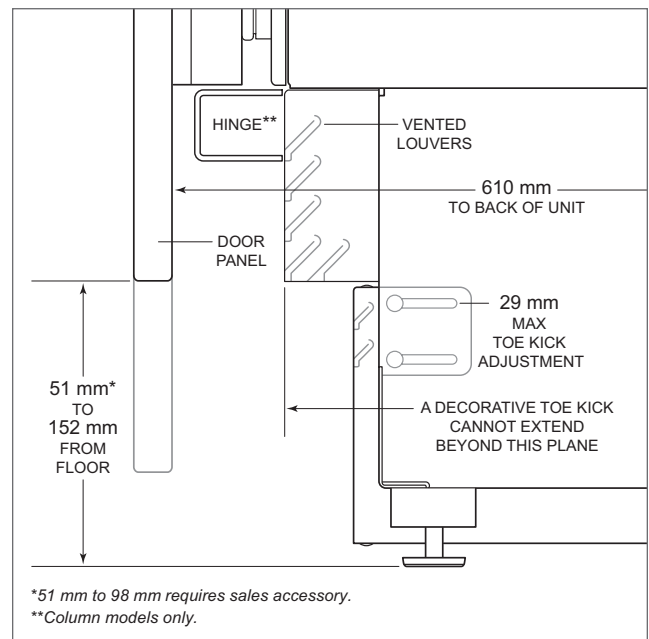
The height of the custom door panel can extend beyond the typical panel height, provided it does not exceed the weight limit. Refer to the illustration below.



Upper valance—column and tall (side view)

TOE KICK CLEARANCE

For indoor models only, the height of the toe kick area can extend beyond the typical toe kick height, provided it does not exceed the dimensions in the illustration below. Toe kick heights from 51 mm to 98 mm require a reduced toe kick accessory available through an authorized Sub-Zero dealer.

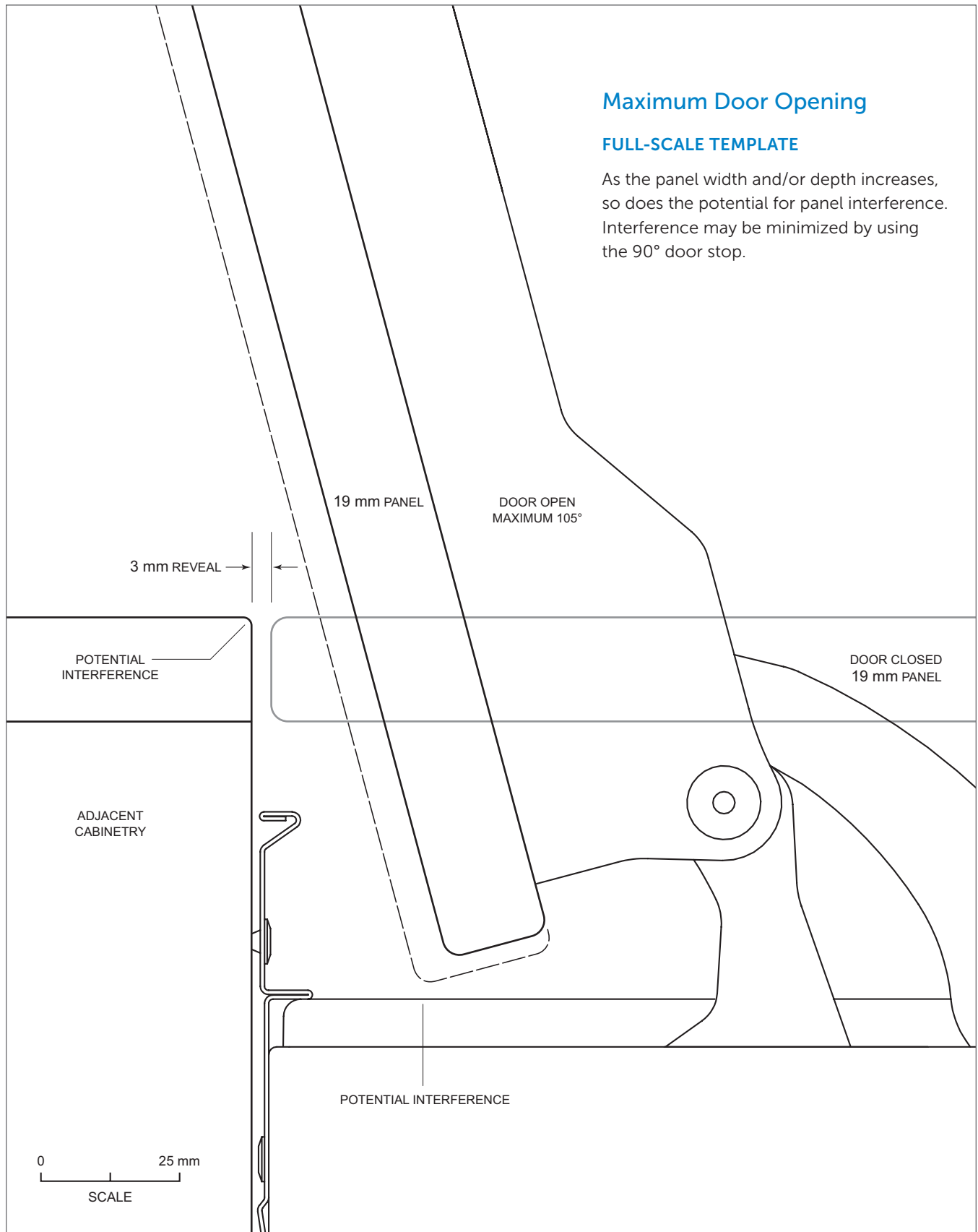


Toe kick (side view)

Standard Handles

Optional stainless steel tubular and pro handles are available through an authorized Sub-Zero dealer. Refer to the chart below for standard handle lengths.

HANDLE LENGTH	TUBULAR	PRO
Column Door	1273 mm	1229 mm
Tall Door	845 mm	800 mm
610 mm Drawer	540 mm	495 mm
762 mm Drawer	692 mm	648 mm
914 mm Drawer	845 mm	800 mm



Maximum door opening (top view)

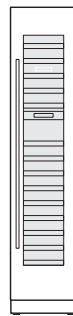
Wine Storage

Wine finds a well-deserved place of honor in a Sub-Zero wine storage unit. Every detail is designed to ensure better wine preservation. Cherrywood-faced racks, soft lighting, custom cabinetry if desired—Sub-Zero helps make a wine collection an element of beauty in the home.

WINE STORAGE MODELS



ICBDEU2450W



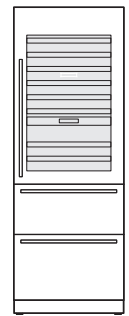
ICBDEC1850W



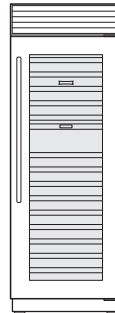
ICBDEC2450W



ICBDEC3050W



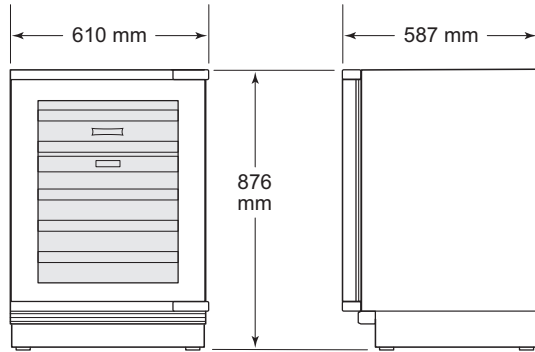
ICBDET3050WR



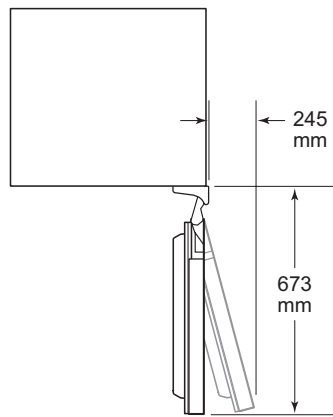
ICBCL3050W

Overall Dimensions

MODEL ICBDEU2450W



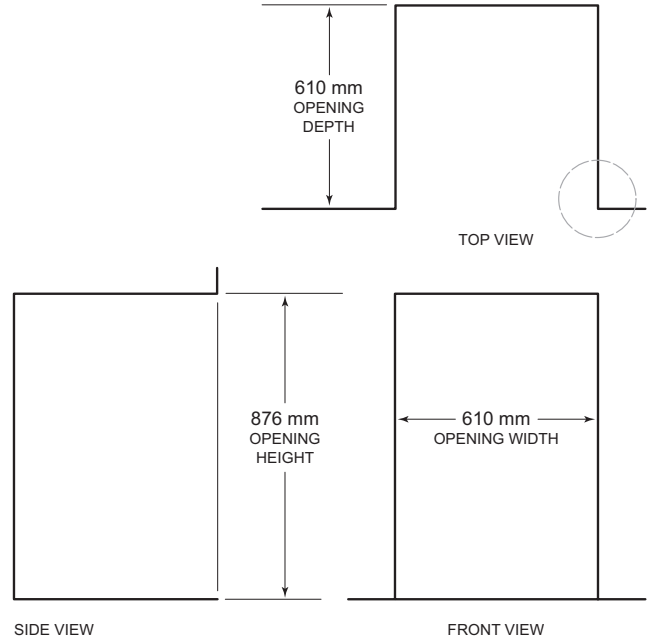
HEIGHT DIMENSIONS ± 13 mm



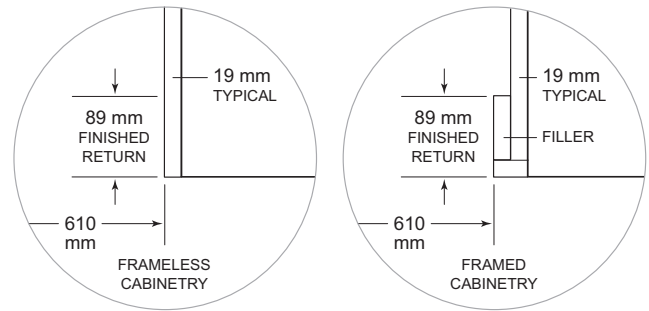
IMPORTANT NOTE: Overall dimensions do not include panels or handles. Dimensions will vary with panel thickness.

Opening Dimensions

MODEL ICBDEU2450W



NOTE: 89 mm finished returns will be visible and should be finished to match cabinetry.



DUAL OPENING WIDTH

W

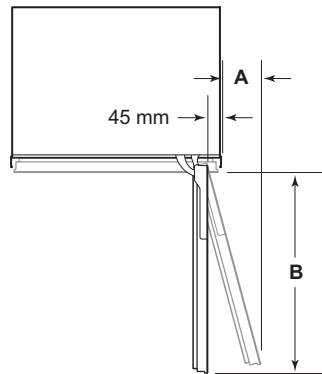
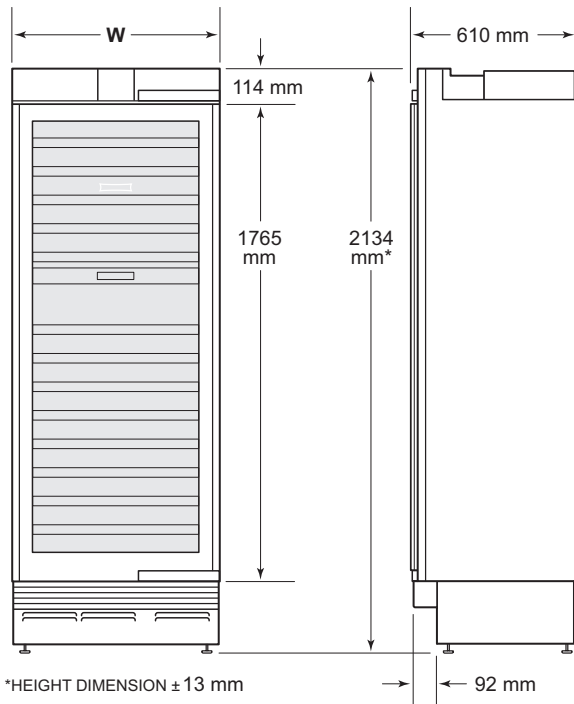
Two 610 mm Models

1222 mm

Dual installation kit required.

Overall Dimensions

COLUMN WINE



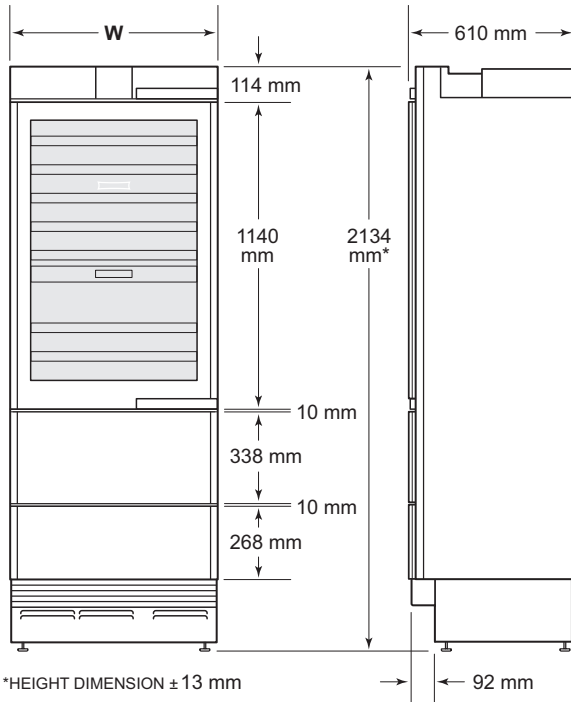
COLUMN

	W	A	B
ICBDEC1850W	457 mm	64 mm	419 mm
ICBDEC2450W	610 mm	102 mm	572 mm
ICBDEC3050W	762 mm	143 mm	724 mm

IMPORTANT NOTE: Overall dimensions do not include panels or handles. Dimensions will vary with panel thickness.

Overall Dimensions

TALL WINE



TALL

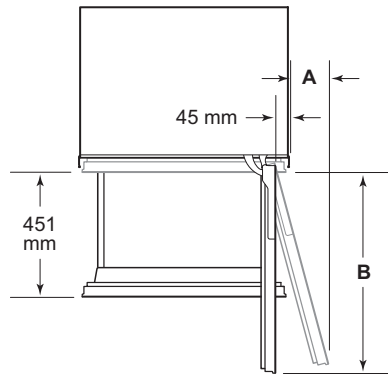
W

A

B

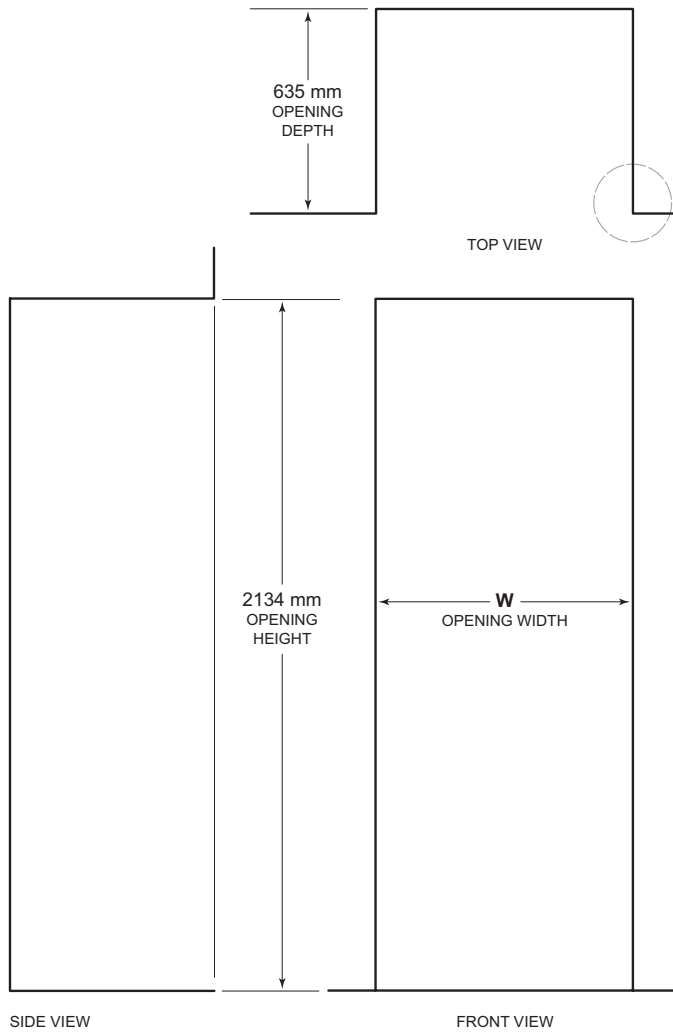
ICBDET3050WR	762 mm	143 mm	724 mm
--------------	--------	--------	--------

IMPORTANT NOTE: Overall dimensions do not include panels or handles. Dimensions will vary with panel thickness.



Opening Dimensions

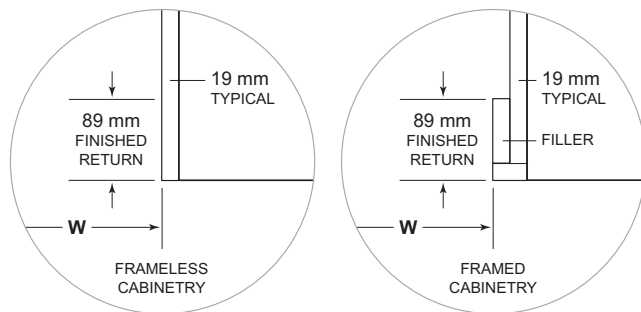
DESIGNER SERIES WINE STORAGE



SIDE VIEW

FRONT VIEW

NOTE: 89 mm finished returns will be visible and should be finished to match cabinetry.



OPENING DIMENSIONS

COLUMN	W*
ICBDEC1850W	457 mm
ICBDEC2450W	610 mm
ICBDEC3050W	762 mm
TALL	W*
ICBDET3050WR	762 mm

*For stainless steel side panel accessory, add 25 mm per panel to opening width.

The depth of each model is 610 mm. Allow for panel thickness when planning the finished opening depth. A minimum 89 mm finished return is required on all sides of the opening. Framed cabinets will require additional finished filler material behind the face frame for a proper installation. Refer to the illustration.

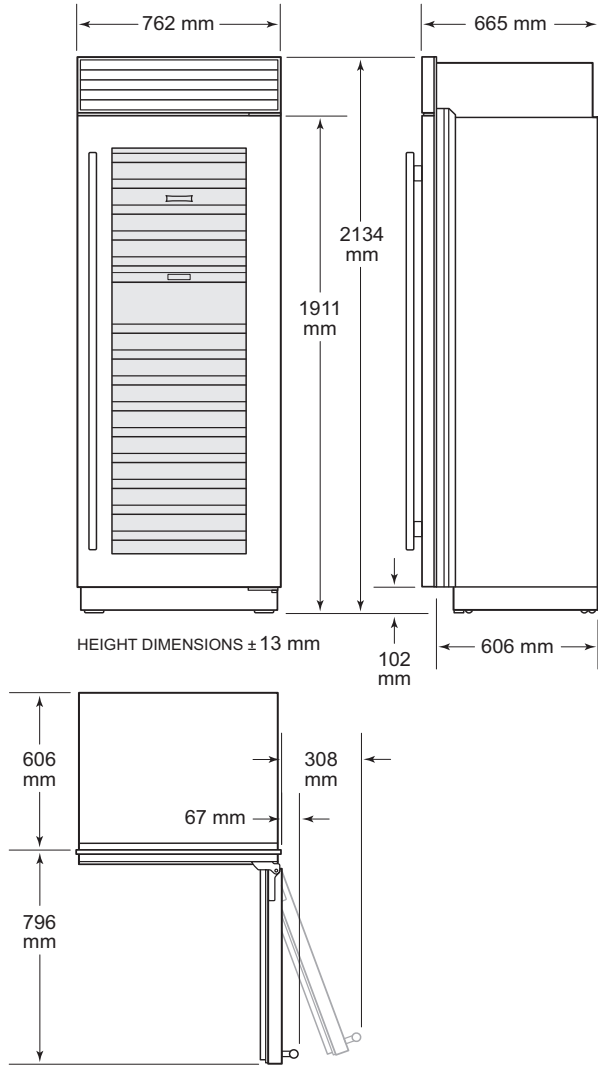
DUAL INSTALLATION

The unit can be installed next to a Designer Series refrigeration model or another Designer Series wine storage model in a dual installation. When installing two units side by side, the opening width is the width of the two units added together. A dual installation kit will be required for this installation. If a dual installation kit is not specified, a minimum 51 mm filler strip is required between the units.

Dual installation kits are available through an authorized Sub-Zero dealer. For questions regarding the installation, contact your authorized Sub-Zero dealer.

Overall Dimensions

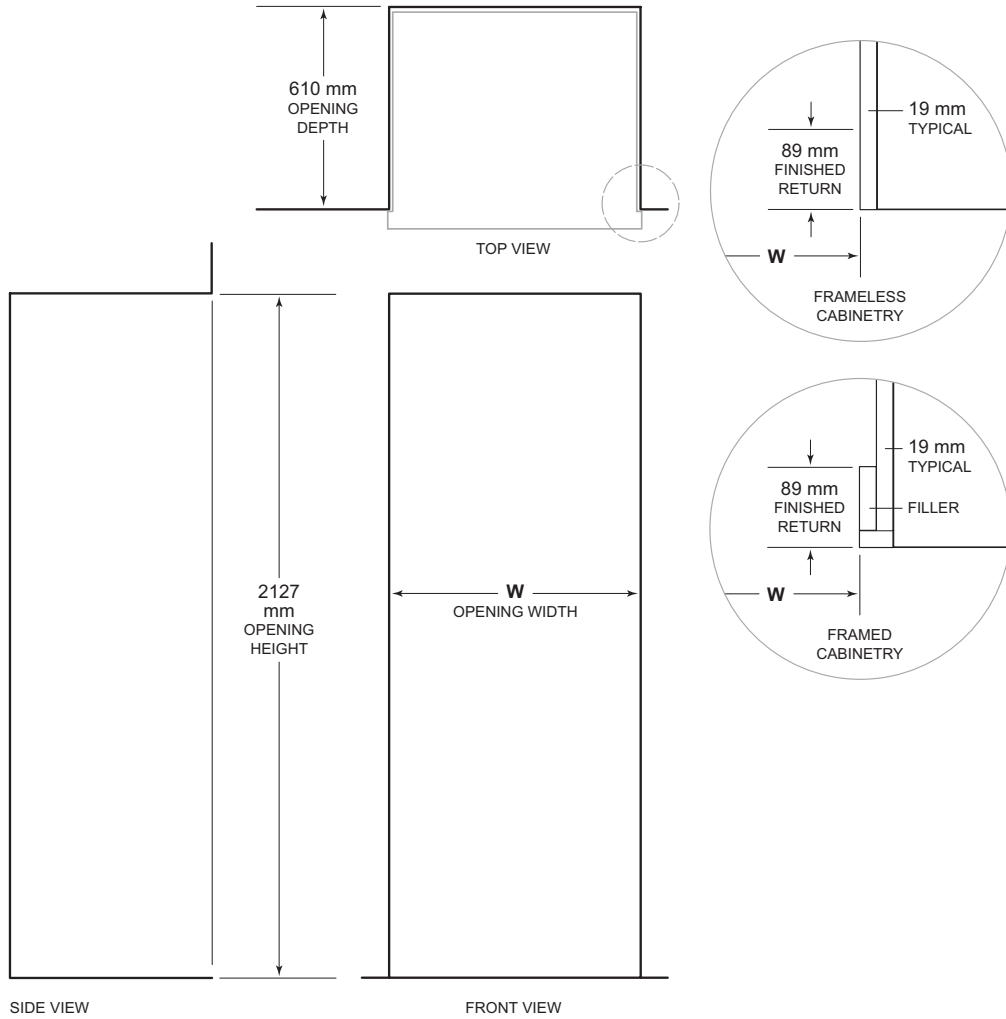
MODEL ICBCL3050W



Dimensions are based on the stainless steel model. For flush inset applications, add 13 mm to the door clearance dimensions.

Opening Dimensions

ICBCL3050W STANDARD INSTALLATION



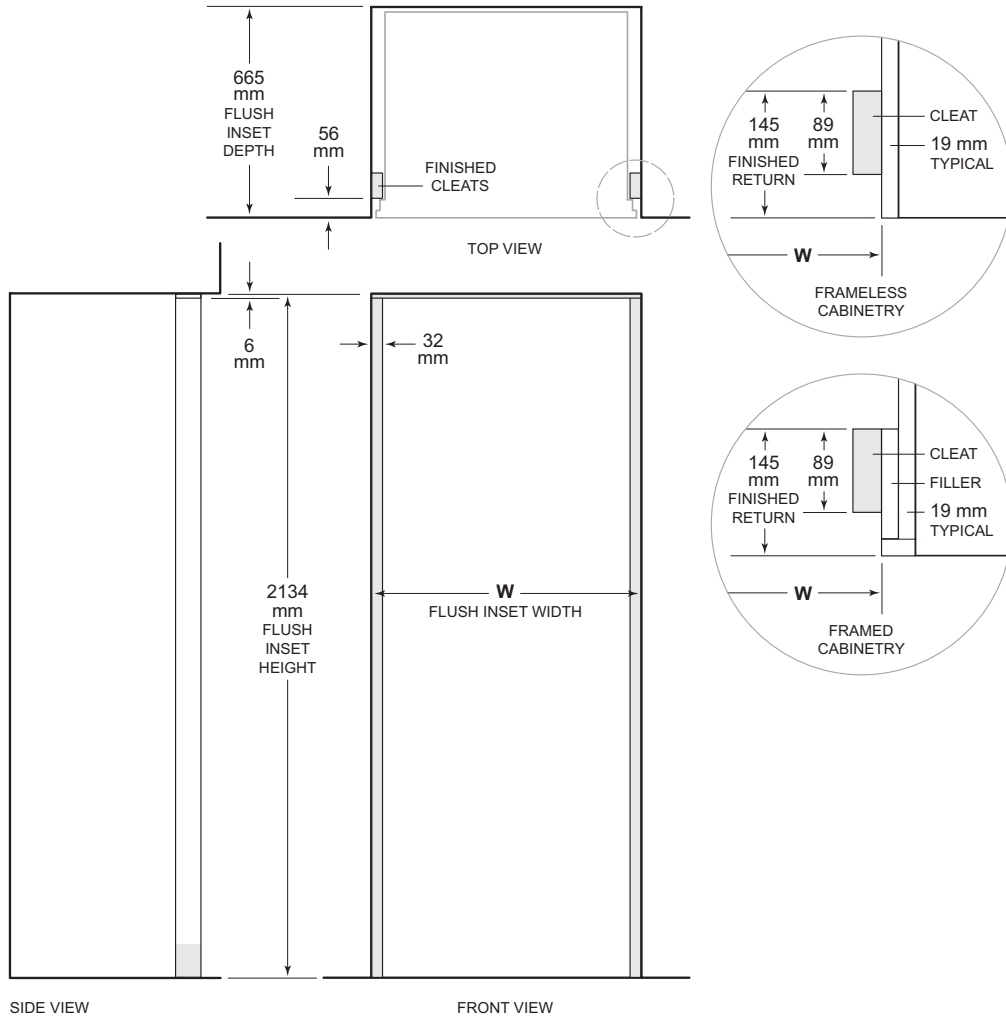
NOTE: 89 mm finished returns will be visible and should be finished to match cabinetry. Shaded line represents profile of unit.

OPENING WIDTH	W
ICBCL3050W	749 mm

If two units are installed side by side, refer to page 52 for dual standard installations.

Opening Dimensions

ICBCL3050W FLUSH INSET INSTALLATION



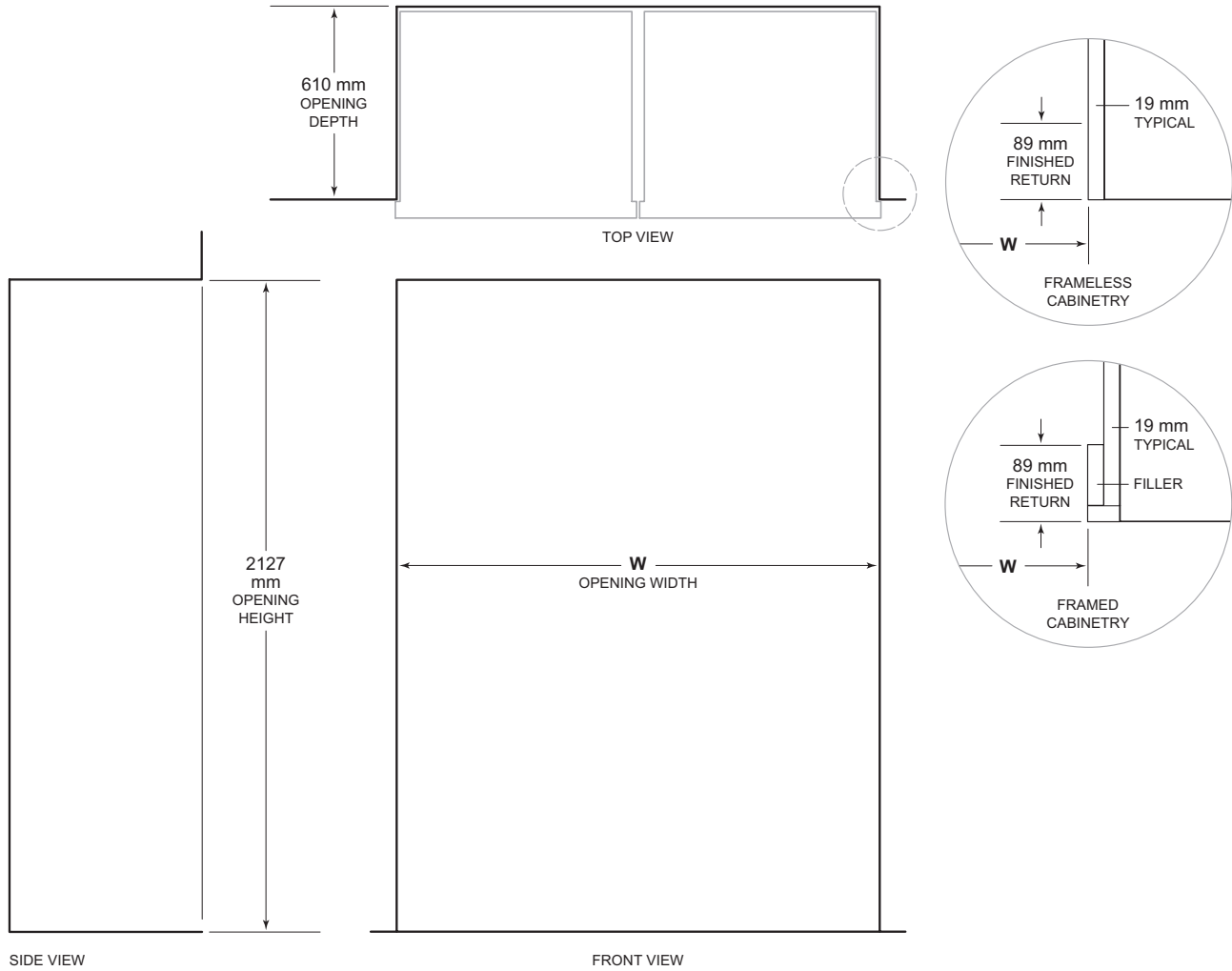
NOTE: 89 mm finished returns and shaded areas will be visible and should be finished to match cabinetry. Shaded line represents profile of unit with 19 mm panel.

FLUSH INSET WIDTH	W
ICBCL3050W	813 mm

Flush inset is available for overlay models only. Dimensions assume a 19 mm panel thickness.

Opening Dimensions

ICBCL3050W DUAL STANDARD INSTALLATION



NOTE: 89 mm finished returns will be visible and should be finished to match cabinetry.
Shaded line represents profile of unit.

DUAL STANDARD OPENING WIDTH

W

A dual installation kit is required for this installation.

Two Models ICBCL3050W	1518 mm
Model ICBCL3050W and 914 mm Classic Series model	1670 mm

Electrical Requirements

Installation must comply with all applicable electrical codes and be properly grounded (earthed).

International models from the factory designed without a transformer require a 220-240 V AC, 50/60 Hz electrical supply, fused at the correct rating for the unit. If required by local or national codes, the power cord can be easily replaced using the power inlet device.

The electrical supply must be located within the shaded area shown in the illustration for your specific model. For Designer Series models, also refer to the chart. A separate circuit servicing only this appliance is required. A ground fault circuit interrupter (GFCI) is not recommended and may cause interruption of operation.

If the unit will be connected to a home security system, allow 914 mm of excess wiring for proper connection.

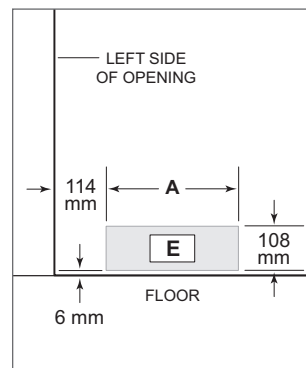
IMPORTANT NOTE: For Undercounter and Designer Series models, the electrical outlet must be positioned with the grounding prong to the right of the thinner blades.

ELECTRICAL REQUIREMENTS

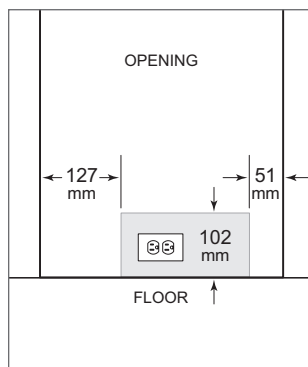
Electrical Supply	220-240 V AC, 50/60 Hz
Circuit Breaker	10 amp
Receptacle	grounding-type (earthed)

ELECTRICAL SUPPLY LOCATION

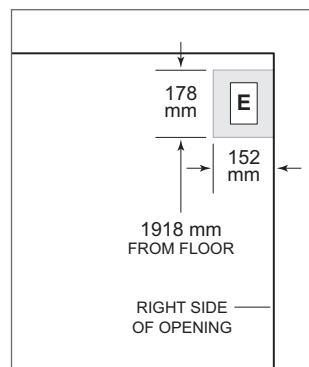
	A
ICBDEC1850W	152 mm
ICBDEC2450W	241 mm
ICBDEC3050W	318 mm
ICBDET3050WR	318 mm



Designer Series models



Model ICBDEU2450W



Model ICBCL3050W

Custom Panels

For all models excluding stainless steel, door panels and handles must be provided. Refer to the panel requirements and custom panel dimensions charts for your specific model and design application.

Do not install a solid panel on a glass door unit. A solid door is available as a sales accessory (except model ICBCL3050W) and must be installed if a solid panel is specified. Service may be required to install the door. Contact an authorized Sub-Zero dealer for more information. Overall dimensions are the same for glass and solid door panels.

Finish all sides of the custom panels. They may be visible when the door is open or through the window of a glass door model.

A D-style handle is recommended. Locate the door handle near the edge of the panel opposite the hinge and centered top to bottom. Stainless steel tubular and pro handles are available through an authorized Sub-Zero dealer.

CAUTION

As reveals between cabinetry and the unit decrease, severe finger pinching can occur while the door is closing.

Custom Panel—ICBDEU2450W

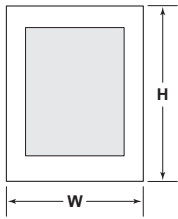
For model ICBDEU2450W, the custom door panel will attach directly to the door frame with screws through a series of pre-drilled holes. Refer to the following charts for panel requirements and dimensions.

The panel cannot exceed the maximum panel weight indicated in the chart below. The depth of each model is 587 mm. Allow for panel thickness when planning the finished opening depth.

PANEL REQUIREMENTS

Panel Weight	10 kg max
Panel Thickness	16 mm min – 19 mm max

TYPICAL PANEL DIMENSIONS



PANEL DIMENSIONS

MODEL	W	H
ICBDEU2450W	603 mm	772 mm

STILES / RAILS	MIN
Stiles	83 mm
Top Rail	89 mm
Bottom Rail	114 mm

DUAL INSTALLATION

For dual installations, refer to the chart below for typical panel dimensions.

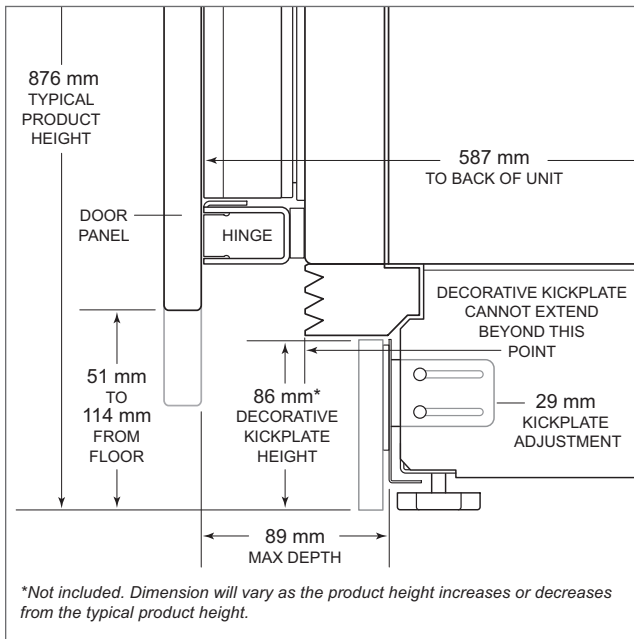
PANEL DIMENSIONS—DUAL INSTALLATION

MODEL	W	H
ICBDEU2450W	605 mm	772 mm

Custom Panel—ICBDEU2450W

TOE KICK CLEARANCE

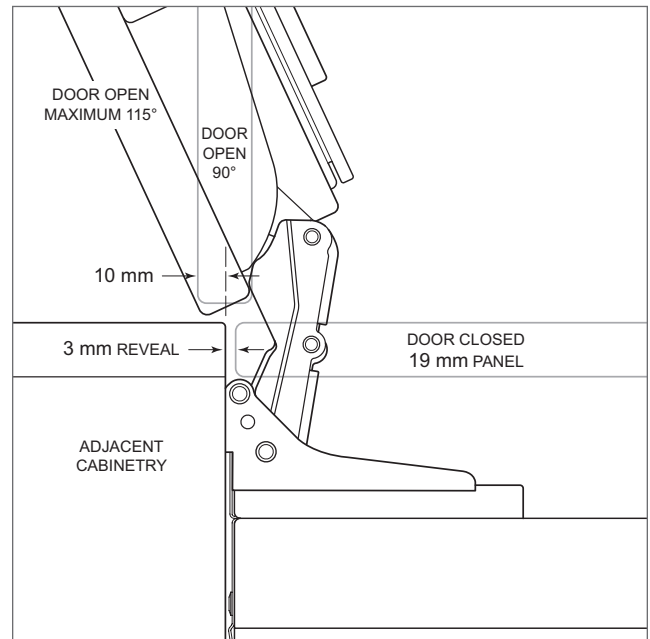
The height of the toe kick area can extend beyond the typical toe kick height, provided it does not exceed the dimensions in the illustration below.



Toe kick clearance (side view)

MAXIMUM DOOR OPENING

As the panel width and/or depth increases, so does the potential for panel interference. Interference may be minimized by using the 90° door stop.



Maximum door opening (top view)

Custom Panels—Designer Series

For Designer Series models, custom door panels and handle hardware must be provided. Refer to the panel requirements chart and typical panel dimensions.

Do not install a solid panel on the glass door unit. A solid door is available as a sales accessory through an authorized Sub-Zero dealer.

The thickness of the custom panel can vary. A minimum 16 mm thick panel is required, but the thickness can be increased provided it does not exceed the weight limit. The depth of each Designer Series model is 610 mm. Allow for panel thickness when planning the finished opening depth. Refer to the full-scale template on page 43.

⚠ CAUTION

As reveals between cabinetry and the unit decrease, severe finger pinching can occur while the door is closing.

Finish all sides of the custom panels. They will be visible when the door/drawer is open.

D-style handles are recommended. Door handles must be located near the edge of the panel opposite the hinge and should be centered top to bottom. Drawer handles must be located near the top edge of each panel. Stainless steel tubular and pro handles are available through an authorized Sub-Zero dealer.

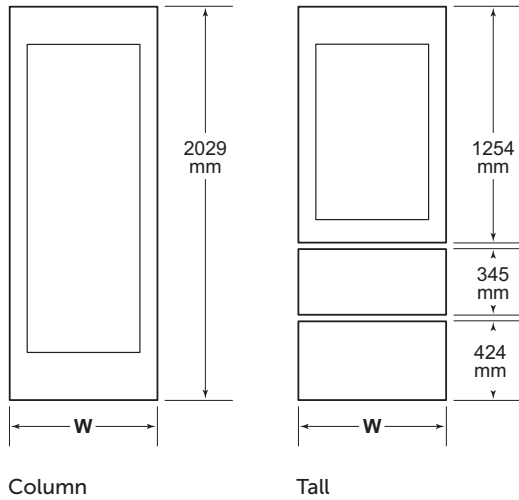
PANEL REQUIREMENTS

PANEL WEIGHT	MAX
Door Frame (column)	16 kg
Door Frame (tall)	11 kg
Drawer Panel	7 kg

PANEL THICKNESS	MIN
All Panels	16 mm

Custom Panels—Designer Series

TYPICAL PANEL DIMENSIONS



Typical panel dimensions are based on a 2134 mm finished height with a 102 mm toe kick and 3 mm reveals. Panel dimensions must be adjusted accordingly for all other installations. Refer to the illustration for panel heights and the chart below for panel widths.

PANEL WIDTH	W
457 mm Column	451 mm
610 mm Column	603 mm
762 mm Column	756 mm
762 mm Tall	756 mm

STILES / RAILS	MIN
Stiles	83 mm
Top Rail	197 mm
Bottom Rail (column)	241 mm
Bottom Rail (tall)	114 mm

DUAL INSTALLATION

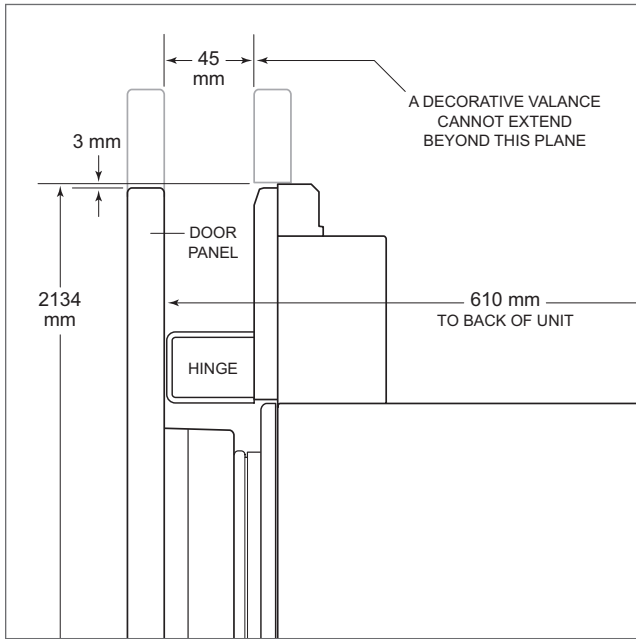
For dual installations, refer to the illustration for panel height and the chart below for panel width.

PANEL WIDTH—DUAL INSTALLATION	W
457 mm Column	452 mm
610 mm Column	605 mm
762 mm Column	757 mm
762 mm Tall	757 mm

Custom Panels—Designer Series

DOOR PANEL HEIGHT

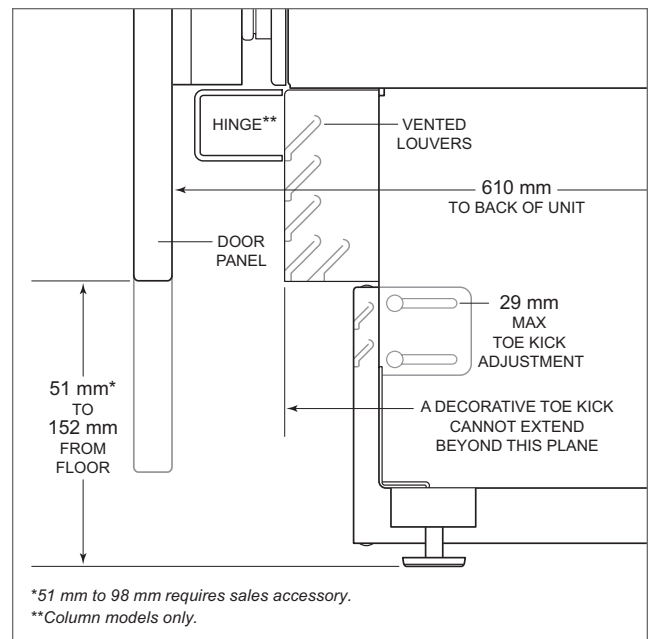
The height of the custom door panel can extend beyond the typical panel height, provided it does not exceed the weight limit. Refer to the illustration below.



Upper valance—column and tall (side view)

TOE KICK CLEARANCE

The height of the toe kick area can extend beyond the typical toe kick height, provided it does not exceed the dimensions in the illustration below. Toe kick heights from 51 mm to 98 mm require a reduced toe kick accessory available through an authorized Sub-Zero dealer.



Toe kick (side view)

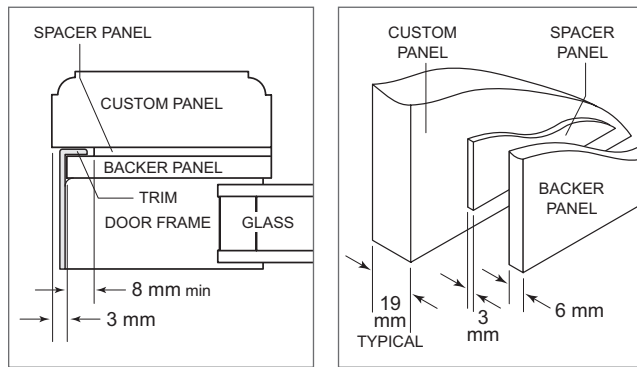
Custom Panels—ICBCL3050W

OVERLAY PANELS

Overlay panels are typically created by combining a 19 mm custom panel, a 3 mm spacer panel, and a 6 mm backer panel. Refer to the illustrations below.

PANEL REQUIREMENTS

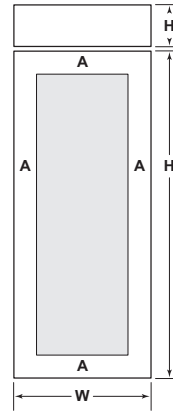
PANEL WEIGHT	MAX
Door	34 kg
Grille	6 kg
PANEL THICKNESS	MIN
Overlay	16 mm



Panel assembly cross section (overlay)

Panel assembly rear view

OVERLAY PANEL DIMENSIONS



ICBCL3050W

OVERLAY PANELS

DOOR	W	H
Overlay Panel	762 mm	1810 mm
Spacer Panel	740 mm	1789 mm
Backer Panel	756 mm	1805 mm

STILES / RAILS	A
Minimum	133 mm

GRILLE	W	H
Overlay Panel	762 mm	197 mm*
Spacer Panel	740 mm	173 mm
Backer Panel	756 mm	189 mm

*Panel height may be increased by 11 mm to hide upper main frame.

Custom Panels—ICBCL3050W

FLUSH INSET PANELS

The flush inset application is an overlay model with flush inset panels. It is not a separate model.

The flush inset design allows custom panels to be installed flush with adjacent cabinets. Similar to overlay, flush inset panels are typically created by combining a 19 mm custom panel, a 3 mm spacer panel, and a 6 mm backer panel. Refer to the illustrations for overlay panels on the previous page.

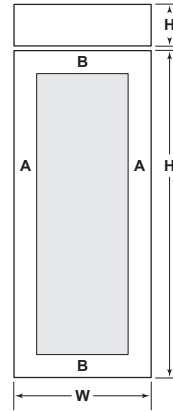
For flush inset panels thicker than 19 mm, a 90° door stop may be required to prevent interference with adjacent cabinets. Refer to the full-scale template on page 67.

PANEL REQUIREMENTS

PANEL WEIGHT	MAX
Door	34 kg
Grille	6 kg

PANEL THICKNESS	MIN
Flush Inset	16 mm

FLUSH INSET PANEL DIMENSIONS



ICBCL3050W

FLUSH INSET PANELS

DOOR	W	H
Flush Inset Panel	787 mm	1810 mm
Spacer Panel	740 mm	1789 mm
Backer Panel	756 mm	1805 mm

STILES / RAILS	A	B
Minimum	146 mm	133 mm

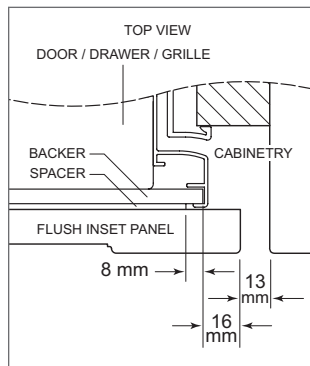
GRILLE	W	H
Flush Inset Panel	787 mm	197 mm
Spacer Panel	740 mm	173 mm
Backer Panel	756 mm	189 mm

Custom Panels—ICBCL3050W

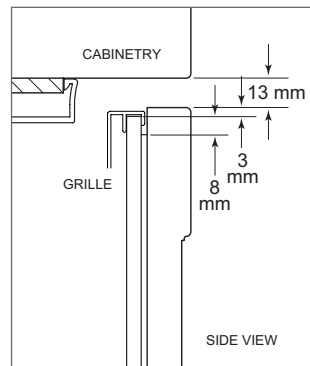
FLUSH INSET PANEL OFFSET

The illustrations provide panel offsets and reveals for model ICBCL3050W in a flush inset application. Refer to the chart below for reference to the illustrations.

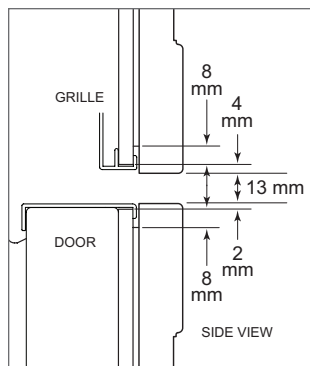
PANEL OFFSET	ILLUS
Door / Grille Sides	A
Grille Top	B
Grille Bottom / Door Top	C
Door Bottom	D



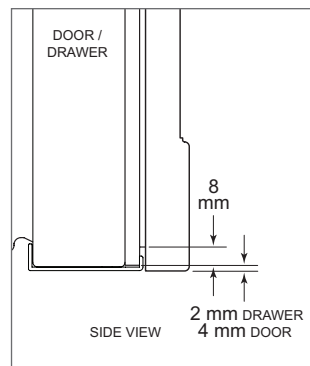
Illus. A



Illus. B



Illus. C



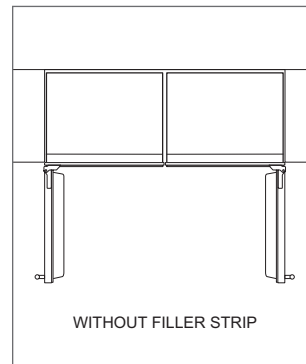
Illus. D

DUAL INSTALLATIONS

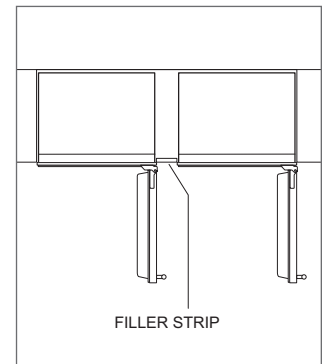
A dual installation kit may be required if two models ICBCL3050W or a model ICBCL3050W and a Classic Series unit are installed side by side. Installations without a custom filler strip require a dual installation kit. If a dual installation kit is not specified, a 51 mm filler strip is recommended between the units. Dual installations without a filler strip can only be accomplished using two units with opposite hinges. Refer to the illustrations below.

Dual installation kits are available through an authorized Sub-Zero dealer. For questions regarding the installation, contact your authorized Sub-Zero dealer.

For dual standard installations, panel dimensions are the same as for single installations.



Opposite hinges



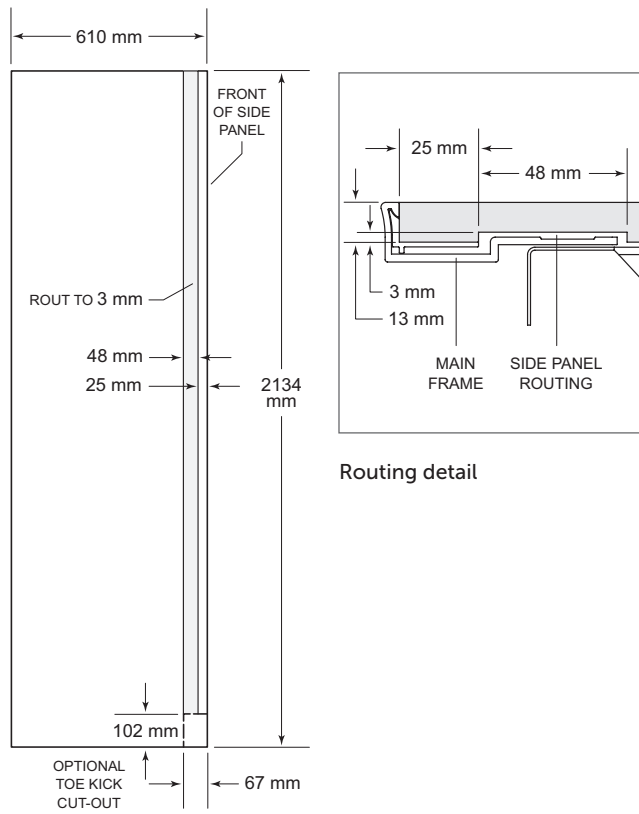
Same side hinges

Custom Panels—ICBCL3050W

SIDE PANEL

The custom side panel must be a minimum of 610 mm deep and 13 mm thick. Routing will be necessary for the side panel to fit flush against the side of the unit. Refer to the illustrations below.

When installing model ICBCL3050W with a custom side panel, an accessory kit is required. Stainless steel and white enamel side panels are available through an authorized Sub-Zero dealer.



Side panel dimensions

Standard Handles

Optional stainless steel tubular and pro handles are available through an authorized Sub-Zero dealer.

Refer to the chart below for standard handle lengths for wine storage models.

HANDLE LENGTH	TUBULAR	PRO
ICBDEU2450W	614 mm	572 mm
ICBDEC1850W	1273 mm	1229 mm
ICBDEC2450W	1273 mm	1229 mm
ICBDEC3050W	1273 mm	1229 mm
ICBDET3050WR Door	845 mm	800 mm
ICBDET3050WR Drawer	616 mm	572 mm
ICBCL3050W	1622 mm	1147 mm

Wine Rack Wood Facing

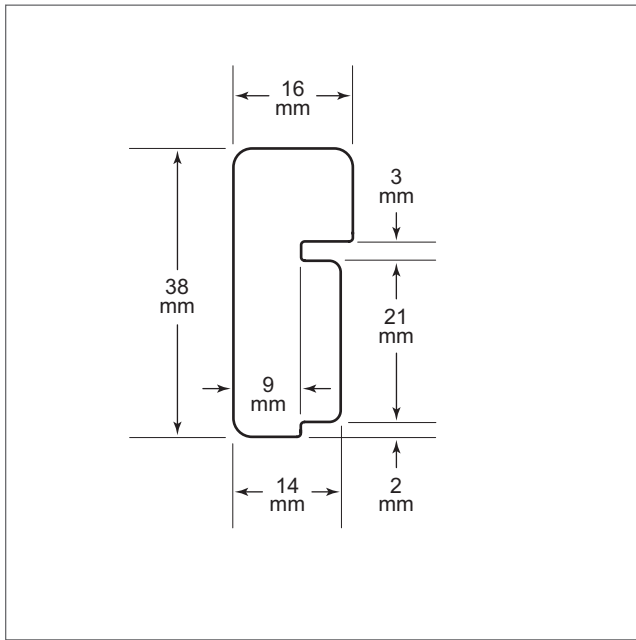
FULL-SCALE TEMPLATE

The natural cherrywood facing on wine storage racks can be stained and sealed, or replaced with wood more complementary to surrounding cabinetry. Refer to the full-scale templates below for the profile dimensions of the wood facing and the charts for the width.

WOOD FACING WIDTH

W

ICBDEU2450W	489 mm
-------------	--------

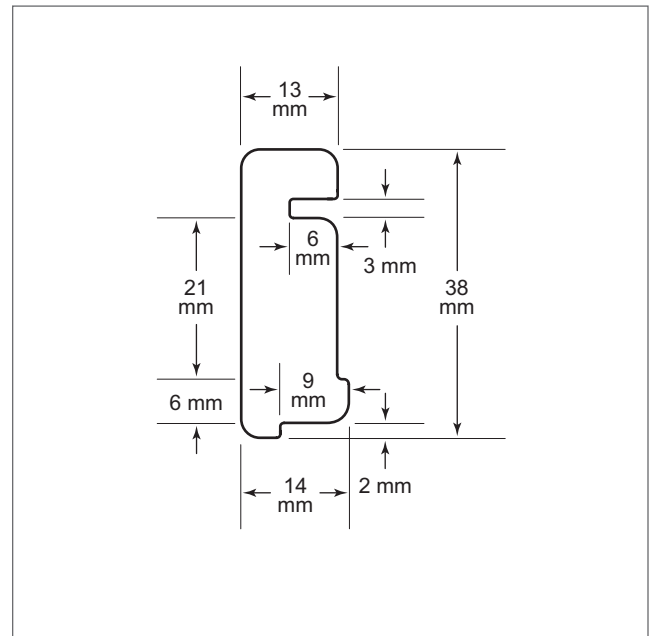


Wood facing profile—Model ICBDEU2450W

WOOD FACING WIDTH

WIDTH

ICBDEC1850W	295 mm
ICBDEC2450W	448 mm
ICBDEC3050W	600 mm
ICBDET3050WR	600 mm
ICBCL3050W	624 mm

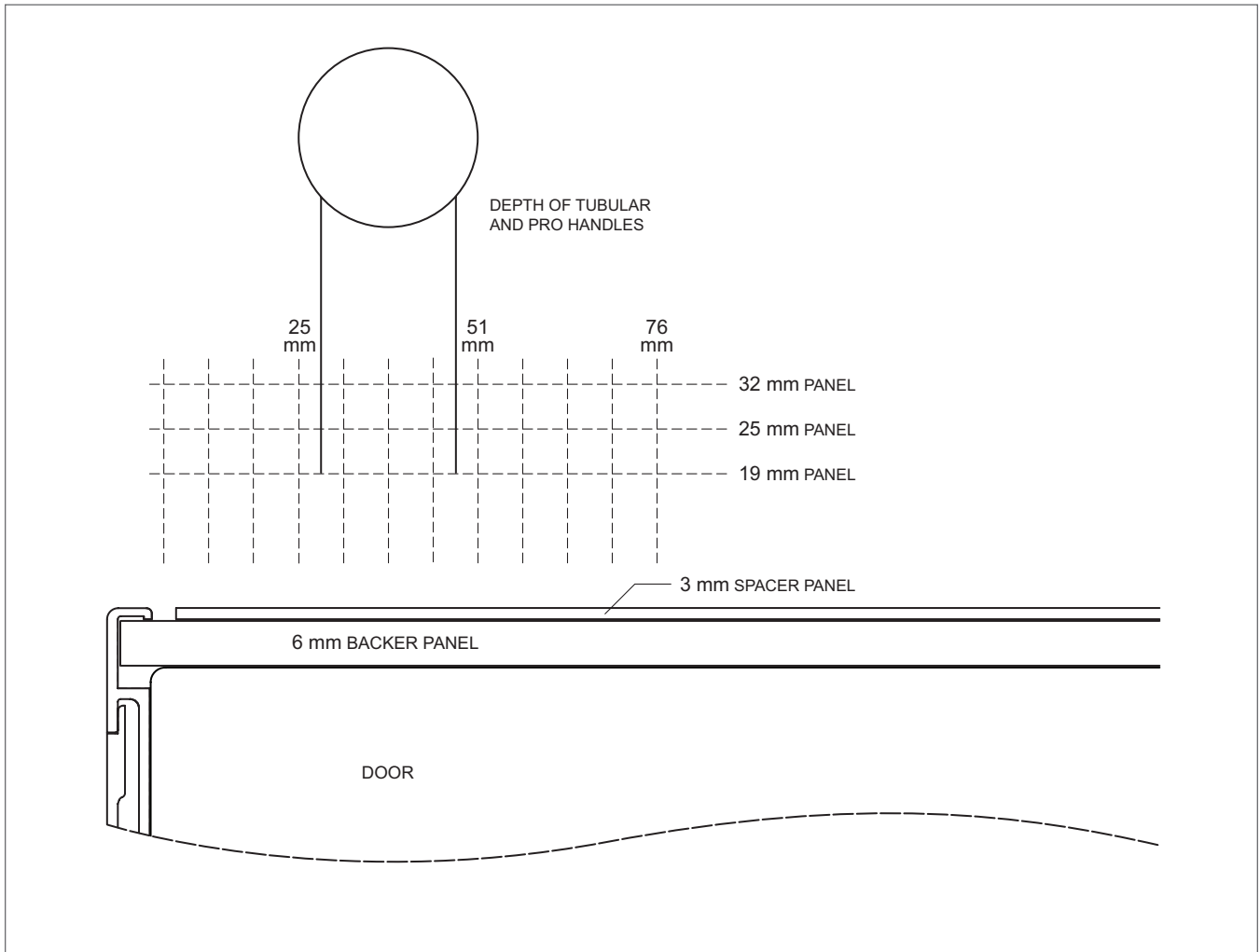


Wood facing profile—Designer Series and Model ICBCL3050W

Overlay / Flush Inset Panels—ICBCL3050W

FULL-SCALE TEMPLATE

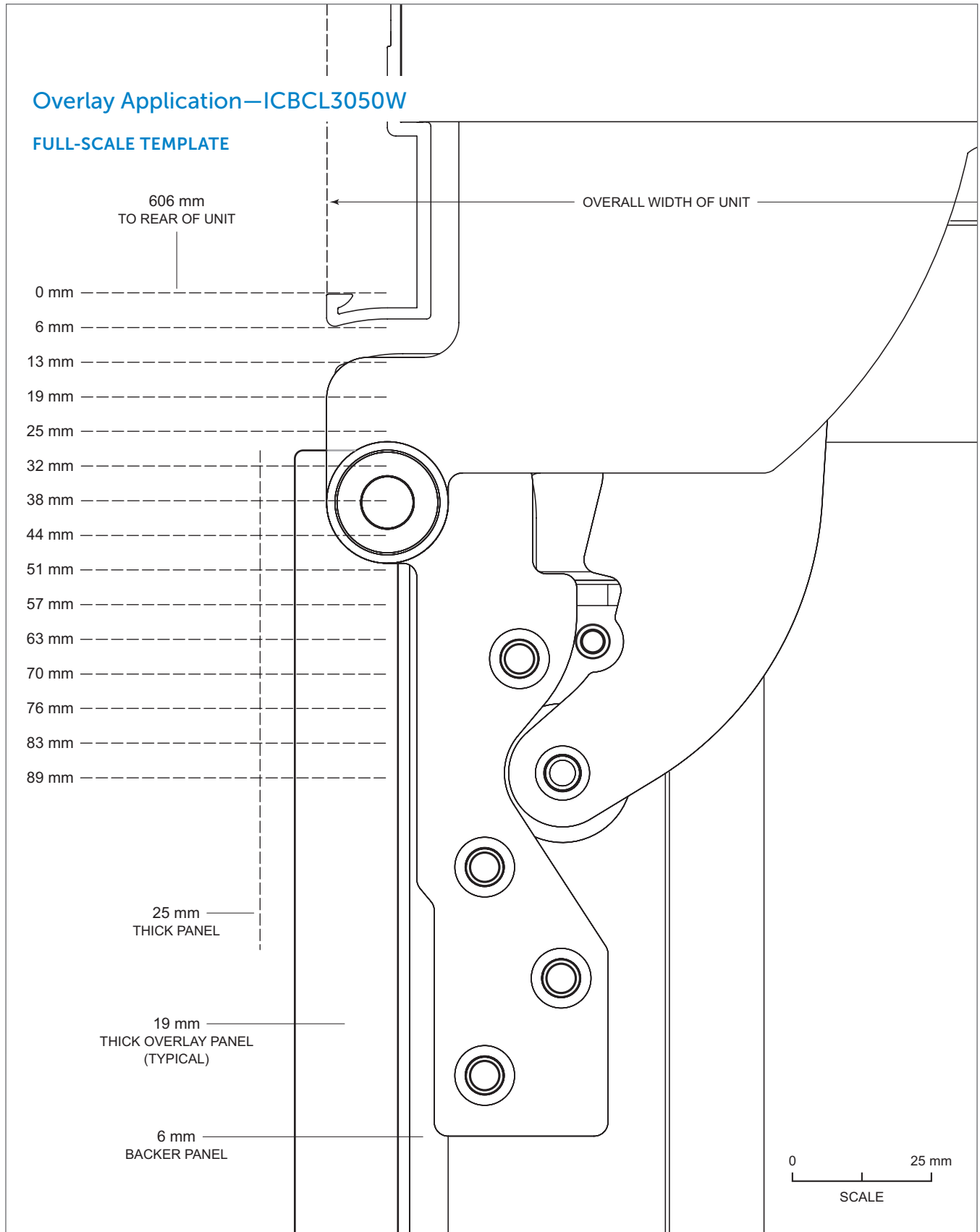
Overlay and flush inset panels must be a minimum of 16 mm thick to support mounting the handle. Panel thickness does not include the backer and spacer panel. Mount the handle close to the opening edge of the door.



Overlay and flush inset panel thickness

Overlay Application—ICBCL3050W

FULL-SCALE TEMPLATE



90° door opening (top view)

Flush Inset Application—ICBCL3050W

FULL-SCALE TEMPLATE

For panels thicker than 19 mm, a 90° door stop may be required to prevent interference with adjacent cabinets.

610 mm
TO BACK WALL

32 mm

56 mm
ASSUMES
19 mm
FLUSH INSET
PANEL
THICKNESS

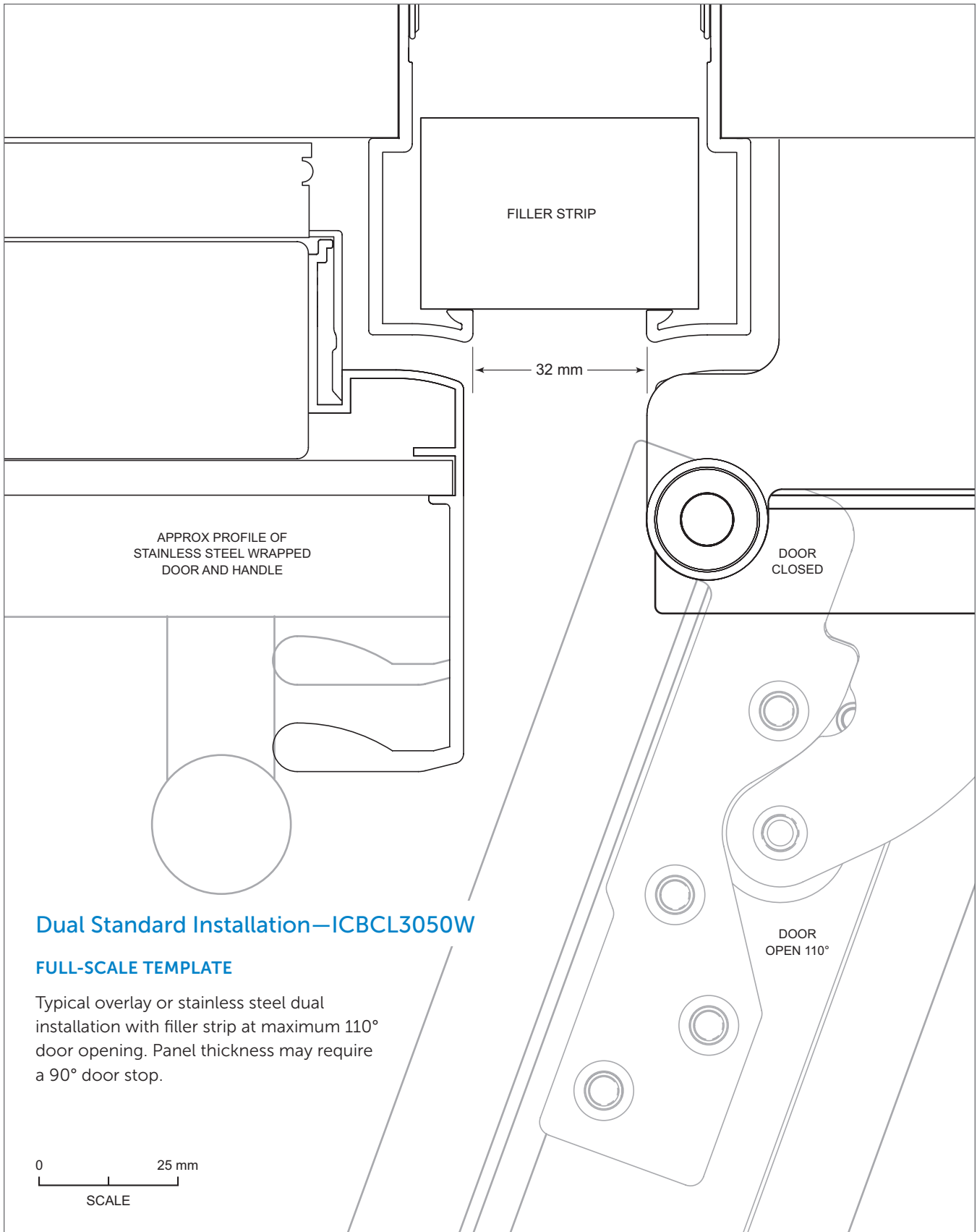
25 mm
THICK PANEL

19 mm
THICK FLUSH INSET PANEL
(TYPICAL)

6 mm
BACKER PANEL

0 25 mm
SCALE

110° door opening (top view)



Dual Standard Installation—ICBCL3050W

FULL-SCALE TEMPLATE

Typical overlay or stainless steel dual installation with filler strip at maximum 110° door opening. Panel thickness may require a 90° door stop.

Dual standard installation (top view)

Designer Series Undercounter Refrigeration

The Sub-Zero Designer Series Undercounter Refrigeration is a helpful addition to a master suite, bar, home office, or media room. Choose from an all refrigerator or beverage center. The design flexibility of these compact yet roomy units makes them all the more welcome in any room. They are ready to be fitted with a custom or stainless steel panel.

DESIGNER SERIES UNDERCOUNTER MODELS



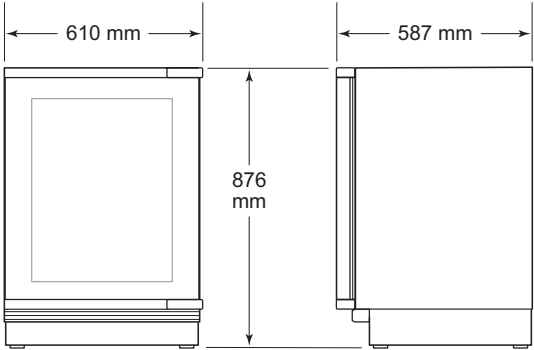
ICBDEU2450R



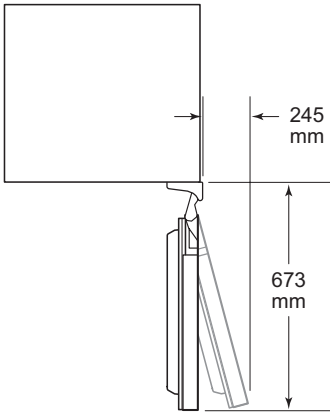
ICBDEU2450BG

Overall Dimensions

UNDERCOUNTER MODELS



HEIGHT DIMENSIONS ± 13 mm

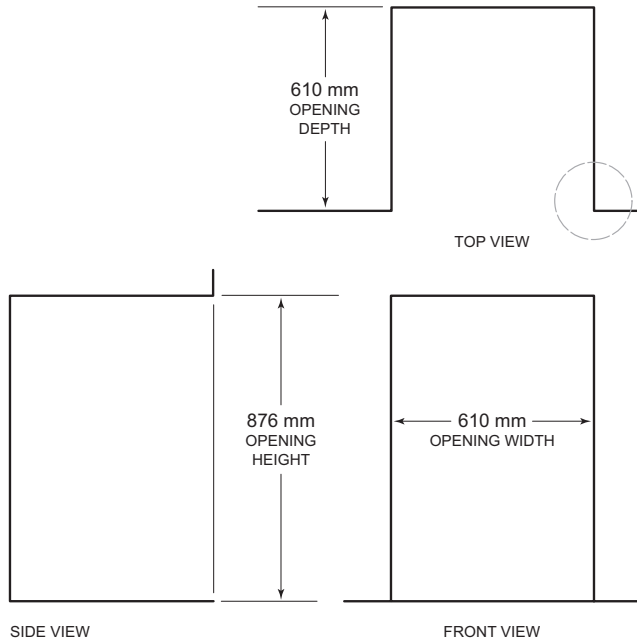


Model ICBDEU2450R, ICBDEU2450BG

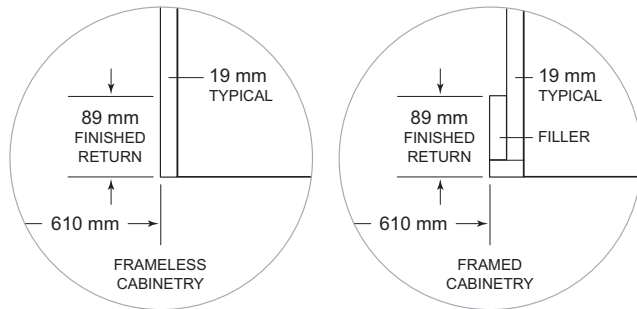
IMPORTANT NOTE: Overall dimensions do not include panels or handles. Dimensions will vary with panel thickness.

Opening Dimensions

UNDERCOUNTER MODELS



NOTE: 89 mm finished returns will be visible and should be finished to match cabinetry.



The depth of each model is 610 mm. Allow for panel thickness when planning the finished opening depth. A minimum 89 mm finished return is required on all sides of the opening. Framed cabinets will require additional finished filler material behind the face frame for a proper installation. Refer to the illustration.

Dual Installation

When installing two units side by side in a dual installation, the opening width is the width of the two units added together. A dual installation kit will be required for this installation. If a dual installation kit is not specified, a minimum 51 mm filler strip is required between the units.

Dual installation kits are available through an authorized Sub-Zero dealer. For questions regarding the installation, contact your authorized Sub-Zero dealer.

DUAL OPENING WIDTH

W

Two 610 mm Models

1222 mm

Dual installation kit required.

Electrical Requirements

Installation must comply with all applicable electrical codes and be properly grounded (earthed).

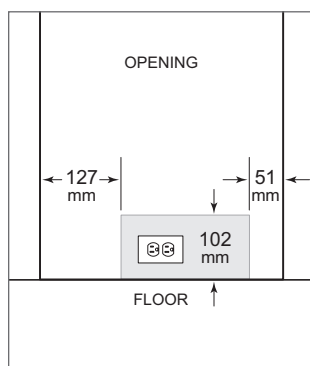
International models from the factory designed without a transformer require a 220-240 V AC, 50/60 Hz electrical supply, fused at the correct rating for the unit. If required by local or national codes, the power cord can be easily replaced using the power inlet device.

The electrical supply must be located within the shaded area shown in the illustration below. A separate circuit servicing only this appliance is required. A ground fault circuit interrupter (GFCI) is not recommended and may cause interruption of operation.

IMPORTANT NOTE: The electrical outlet must be positioned with the grounding prong to the right of the thinner blades.

ELECTRICAL REQUIREMENTS

Electrical Supply	220-240 V AC, 50/60 Hz
Circuit Breaker	10 amp
Receptacle	grounding-type (earthed)



Electrical supply location

Custom Panel

For all models excluding stainless steel, a door panel and handle must be provided. Refer to the panel requirements and custom panel dimensions charts.

Do not install a solid panel on a glass door unit. A solid door is available as a sales accessory and must be installed if a solid panel is specified. Service may be required to install the door. Contact an authorized Sub-Zero dealer for more information. Overall dimensions are the same for glass and solid door panels.

Finish all sides of the custom panel. They may be visible when the door is open or through the window of a glass door model.

A D-style handle is recommended. Locate the door handle near the edge of the panel opposite the hinge and centered top to bottom. Stainless steel tubular and pro handles are available through an authorized Sub-Zero dealer.

⚠ CAUTION

As reveals between cabinetry and the unit decrease, severe finger pinching can occur while the door is closing.

Designer Series Undercounter Refrigeration

Custom Panel

The panel cannot exceed the maximum panel weight indicated in the chart below. The depth of each model is 587 mm. Allow for panel thickness when planning the finished opening depth.

PANEL REQUIREMENTS

Panel Weight	10 kg max
Panel Thickness	16 mm min – 19 mm max

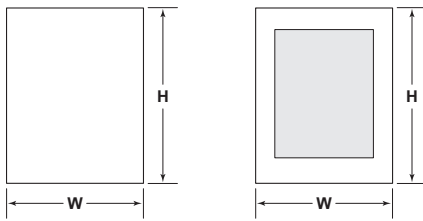
DUAL INSTALLATION

For dual installations, refer to the chart below for typical panel dimensions.

PANEL DIMENSIONS—DUAL INSTALLATION

MODEL	W	H
ICBDEU2450R	605 mm	772 mm
ICBDEU2450BG	605 mm	772 mm

TYPICAL PANEL DIMENSIONS



PANEL DIMENSIONS

MODEL	W	H
ICBDEU2450R	603 mm	772 mm
ICBDEU2450BG	603 mm	772 mm

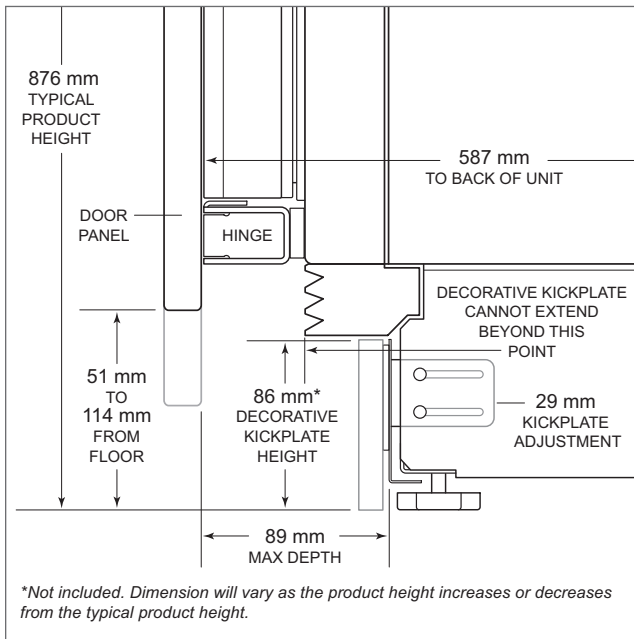
STILES / RAILS*	MIN
Stiles	83 mm
Top Rail	89 mm
Bottom Rail	114 mm

*Model ICBDEU2450BG.

Custom Panel

TOE KICK CLEARANCE

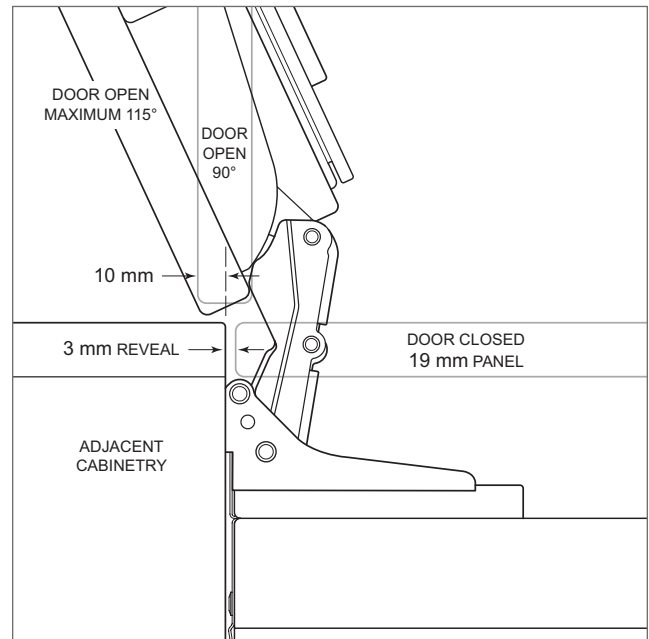
The height of the toe kick area can extend beyond the typical toe kick height, provided it does not exceed the dimensions in the illustration below.



Toe kick clearance (side view)

MAXIMUM DOOR OPENING

As the panel width and/or depth increases, so does the potential for panel interference. Interference may be minimized by using the 90° door stop.



Maximum door opening (top view)

Standard Handles

Optional stainless steel tubular and pro handles are available through an authorized Sub-Zero dealer. Refer to the chart below for standard handle lengths.

HANDLE LENGTH	TUBULAR	PRO
ICBDEU2450R	614 mm	572 mm
ICBDEU2450BG	614 mm	572 mm

Sub-Zero, Sub-Zero & Design, Sub-Zero & Snowflake Design, Dual Refrigeration, The Living Kitchen, Great American Kitchens The Fine Art of Kitchen Design, Wolf, Wolf & Design, Wolf Gourmet, W & Design, red colored knobs, Cove, and Cove & Design are registered trademarks and service marks of Sub-Zero Group, Inc. and its subsidiaries. All other trademarks are property of their respective owners in the United States and other countries.

Sub-Zero International Limited Warranty

FOR RESIDENTIAL USE

FULL TWO YEAR WARRANTY*

For two years from the date of original installation, this Sub-Zero product warranty covers all parts and labor to repair or replace, under normal residential use, any part of the product that proves to be defective in materials or workmanship. All service provided by Sub-Zero under the above warranty must be performed by Sub-Zero Factory Certified Service, unless otherwise specified by Sub-Zero, Inc. Service will be provided during normal business hours.

FULL FIVE YEAR SEALED SYSTEM WARRANTY

For five years from the date of original installation, this Sub-Zero product warranty covers all parts and labor to repair or replace, under normal residential use, these parts that prove to be defective in materials or workmanship: compressor, condenser, evaporator, drier and all connecting tubing. All service provided by Sub-Zero under the above warranty must be performed by Sub-Zero Factory Certified Service, unless otherwise specified by Sub-Zero, Inc. Service will be provided during normal business hours.

For more information regarding your Sub-Zero product warranty, contact your authorized Sub-Zero dealer. Warranties must comply to all country, state, city, local and or ordinance.

*Stainless steel (doors, panels, handles, product frames and interior surfaces) are covered by a limited 60-day parts and labor warranty for cosmetic defects.

*Replacement water filters and air purification cartridges are not covered by the product warranty.



Sub-Zero International Outdoor Limited Warranty*

FOR RESIDENTIAL USE

FULL ONE YEAR WARRANTY**

For one year from the date of original installation, this Sub-Zero product warranty covers all parts and labor to repair or replace, under normal residential use, any part of the product that proves to be defective in materials or workmanship. All service provided by Sub-Zero under the above warranty must be performed by Sub-Zero Factory Certified Service, unless otherwise specified by Sub-Zero, Inc. Service will be provided during normal business hours.

FULL FIVE YEAR SEALED SYSTEM WARRANTY

For five years from the date of original installation, this Sub-Zero product warranty covers all parts and labor to repair or replace, under normal residential use, these parts that prove to be defective in materials or workmanship: compressor, condenser, evaporator, drier and all connecting tubing. All service provided by Sub-Zero under the above warranty must be performed by Sub-Zero Factory Certified Service, unless otherwise specified by Sub-Zero, Inc. Service will be provided during normal business hours.

TERMS APPLICABLE TO EACH WARRANTY

The warranty applies only to products installed for normal residential use. This warranty does not cover any parts or labor to correct any defect caused by negligence, accident or improper use, maintenance, installation, service or repair.

For more information regarding your Sub-Zero product warranty, contact your dealer. Warranties must comply to all country, state, city, local and or ordinance.

*Product must be approved for outdoor use, designated by model and serial number.

**Stainless steel (doors, panels, handles, product frames and interior surfaces) are covered by a limited 60-day parts and labor warranty for cosmetic defects.

**Replacement water filters and air purification cartridges are not covered by the product warranty.





SUBZERO.COM