

**ICBVW36S**

**FEATURES**

- Breathe cleaner air and enjoy less greasy residue in your kitchen
- Ventilate with a professional, low-profile look
- Adjust as needed with recessed controls that provide a sleeker look, yet maintain ultimate blower control
- Matches the same heavy-duty stainless-steel construction, hand-finished hemmed edges, and welded seams of all Sub-Zero, Wolf, and Cove products
- Select from internal, in-line, or remote blower options (blower required)
- Lights your workspace with two LED light bars with two brightness settings
- Reach ceiling heights with its telescoping chimney
- Minimizes the backward flow of cold air with backdraft transition

**ACCESSORIES**

- Backsplash
- Flue Extension
- Recirculating Filter
- Recirculating Kit
- Remote Control
- Inline Blowers
- Internal Blowers
- Remote Blowers

Accessories available through an authorized dealer.  
For local dealer information, visit [subzerowolf.com.hk](http://subzerowolf.com.hk).



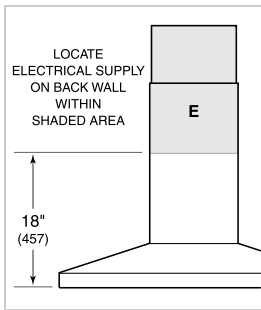
**BLOWER OPTIONS**

- 900 CMH Internal
- 1528 CMH Remote
- 2028 CMH Remote
- 2535 CMH Remote

**PRODUCT SPECIFICATIONS**

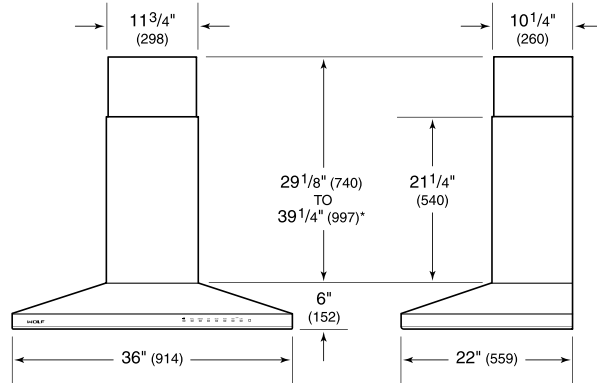
Model	ICBVW36S
Dimensions	914 mm W x 152 mm H x 559 mm D
Weight (with blower)	45 kg
Electrical Supply	220/2400 VAC, 50/60 Hz
Electrical Service	0.4 kW
Discharge Location	Vertical
Discharge Dimensions	152 mm (6") Round
Bottom of Hood to Countertop	762 mm to 914 mm
Receptacle	3-prong grounding-type

**ELECTRICAL**



**NOTE:** Dimensions in parenthesis are in millimeters unless otherwise specified

**DIMENSIONS**



\*49 1/8" (1248) to 59 1/4" (1505) with accessory flue extension.