

## ICBVW36G

### FEATURES

Breathe cleaner air and enjoy less greasy residue in your kitchen

Add a contemporary element with low-profile ventilation with glass that adds an artistic look

Adjust as needed with recessed controls that provide a sleeker look, yet maintain ultimate blower control

Matches the same heavy-duty stainless-steel construction, hand-finished hemmed edges, and welded seams of all Sub-Zero, Wolf, and Cove products

Select from internal, in-line, or remote blower options (blower required)

Lights your workspace with two LED light bars with two brightness settings

Reach ceiling heights with its telescoping chimney

Minimizes the backward flow of cold air with backdraft transition

### ACCESSORIES

Backsplash

Flue Extension

Recirculating Filter

Recirculating Kit

Remote Control

Inline Blowers

Internal Blowers

Remote Blowers

Accessories available through an authorized dealer.  
For local dealer information, visit [subzerowolf.com.hk](http://subzerowolf.com.hk).



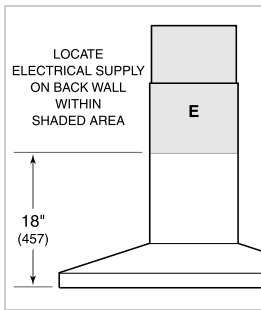
### BLOWER OPTIONS

- 900 CMH Internal
- 1528 CMH Remote

**PRODUCT SPECIFICATIONS**

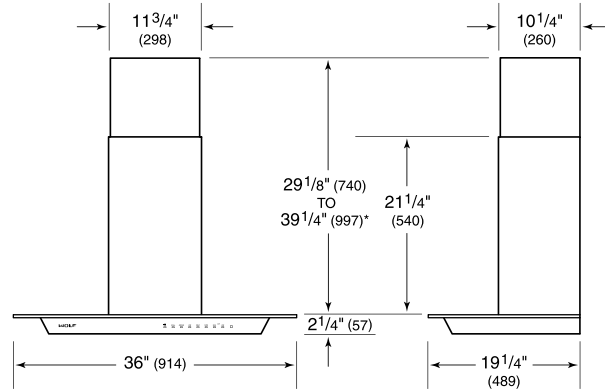
Model	ICBVW36G
Dimensions	914 mm W x 57 mm H x 489 mm D
Weight (with blower)	28 kg
Electrical Supply	220/240 VAC, 50/60 Hz
Electrical Service	0.4 kW
Discharge Location	Vertical
Discharge Dimensions	152 mm (6") Round
Bottom of Hood to Countertop	762 mm to 914 mm
Receptacle	3-prong grounding-type

**ELECTRICAL**



**NOTE:** Dimensions in parenthesis are in millimeters unless otherwise specified

**DIMENSIONS**



\*49 1/8" (1248) to 59 1/4" (1505) with accessory flue extension.