

ICBOG54-LP

FEATURES

- Six individually contained grill burners for versatile cooking
- Utilizes both direct and radiant heat for more thorough grilling
- Three-position warming rack for the exact temperature you want
- Two-position rotisserie handles foods big and small
- Infrared sear zone seals in juices and flavors
- Available built-in only
- Rigorously tested in our U.S. manufacturing facilities for decades of use
- Exceptional support from our Customer Care team
- Halogen lights for night-time grilling
- Double-wall hood front holds in heat
- Hood assist system makes opening and closing easy
- Electric hot surface ignition for reliable start ups
- Stainless steel burner grates

ACCESSORIES

- 137 cm Grill Liner
- Black Knobs
- Built-In Cover
- Griddle Plate
- Stainless steel doors and drawers for built-in enclosure

Accessories available through an authorized dealer.
For local dealer information, visit subzerowolf.com.hk.



KNOB OPTIONS



GRILL SPECIFICATIONS

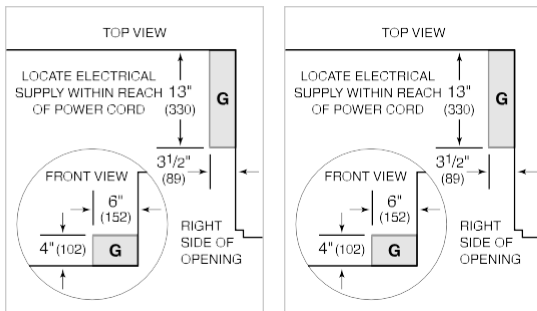
- 3 - 7.5 kW Burners
- 1 - 7.5 kW Sear Burner
- 2 - 4.1 kW Rotisserie Burners

PRODUCT SPECIFICATIONS

Model	ICBOG54-LP
Dimensions	1372 mm W x 686 mm H x 762 mm D
Weight	159 kg
Electrical Supply	220/240 VAC, 50/60 Hz
Electrical Service	1.9 A
Gas Supply	13 mm or 19 mm ID flexible line
Gas Inlet	13 mm (1/2") NPT female
Power Cord Length	1.8 m
Receptacle	3-prong grounding-type

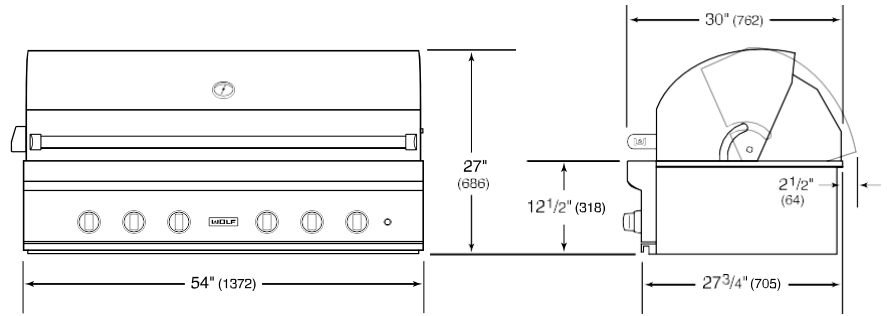
ELECTRICAL

GAS

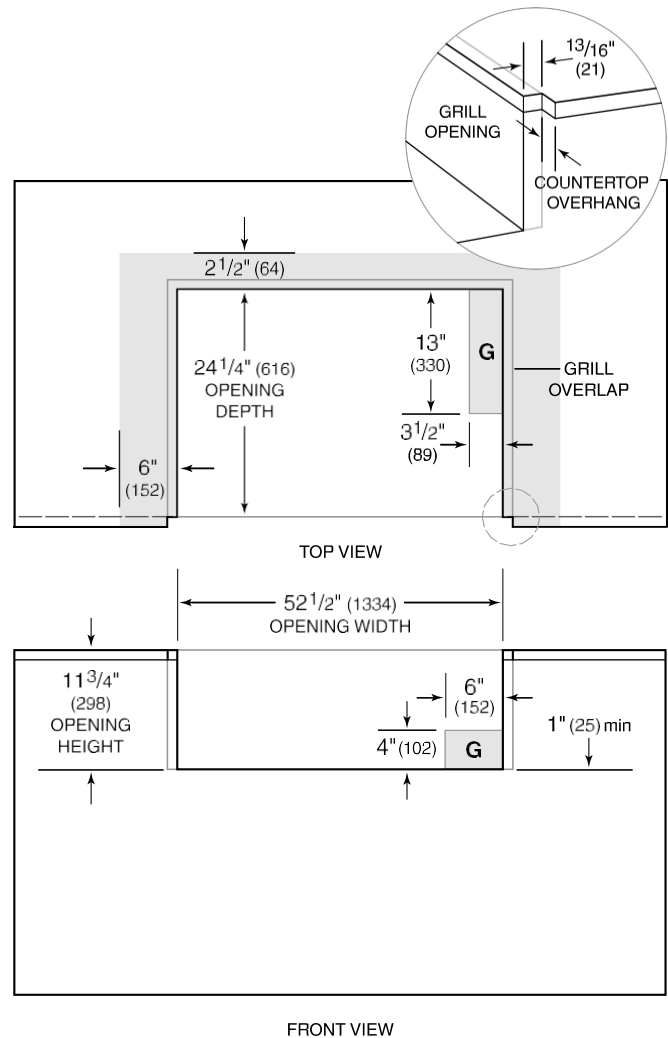


NOTE: Dimensions in parenthesis are in millimeters unless otherwise specified

DIMENSIONS



NON-COMBUSTIBLE INSTALLATION



NOTE: Shaded area above countertop indicates minimum clearance to combustible surfaces, combustible materials cannot be located within this area.