

## ICBOG36-LP

### FEATURES

- Three individually contained grill burners for versatile cooking
- Utilizes both direct and radiant heat for more thorough grilling
- Heavy-duty stainless steel construction
- Two-position rotisserie handles foods big and small
- Available built-in or freestanding
- Rigorously tested in our U.S. manufacturing facilities for decades of use
- Exceptional support from our Customer Care team
- Halogen lights for night-time grilling
- Double-wall hood front holds in heat
- Hood assist system makes opening and closing easy
- Three-position warming rack for the exact temperature you want
- Stainless steel burner grates
- Infrared sear zone seals in juices and flavors

### ACCESSORIES

- Canvas covers
- Stainless steel portable grill cart with fold-down side shelves
- Stainless steel doors and drawers for built-in enclosure
- Griddle Plate
- Black control knob(s)

Accessories available through an authorized Sub-Zero dealer.  
For local dealer information, visit [subzerowolf.com.hk](http://subzerowolf.com.hk).



### KNOB OPTIONS



### GRILL SPECIFICATIONS

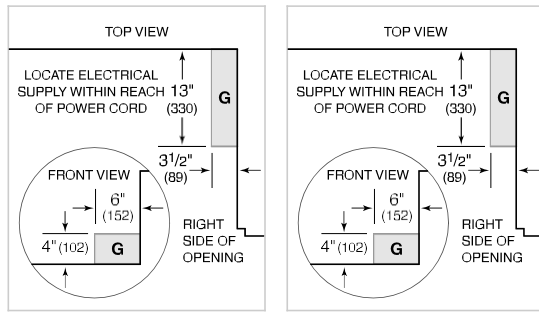
- 2 - 7.3 kW Burners
- 1 - 4.7 kW Rotisserie Burner
- 1 - 7.3 kW Sear Burner

**PRODUCT SPECIFICATIONS**

Model	ICBOG36-LP
Dimensions	914 mm W x 686 mm H x 762 mm D
Weight	112 kg
Electrical Supply	220-240 VAC; 50/60 Hz
Electrical Service	1.9 A
Gas Supply	13 mm or 19 mm ID flexible line
Gas Inlet	13 mm (1/2") female

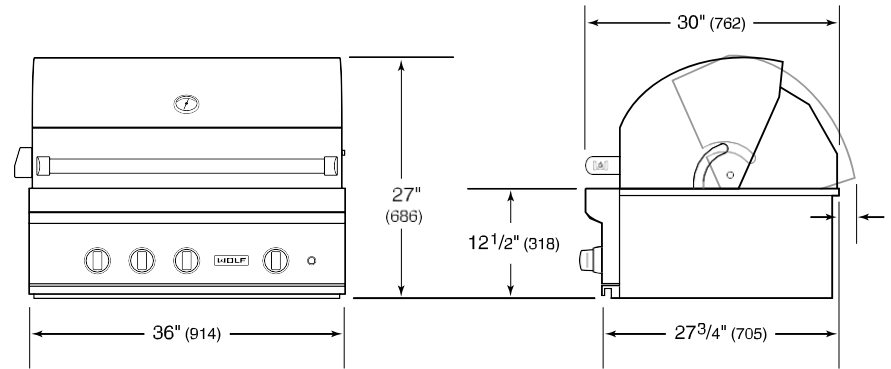
**ELECTRICAL**

**GAS**

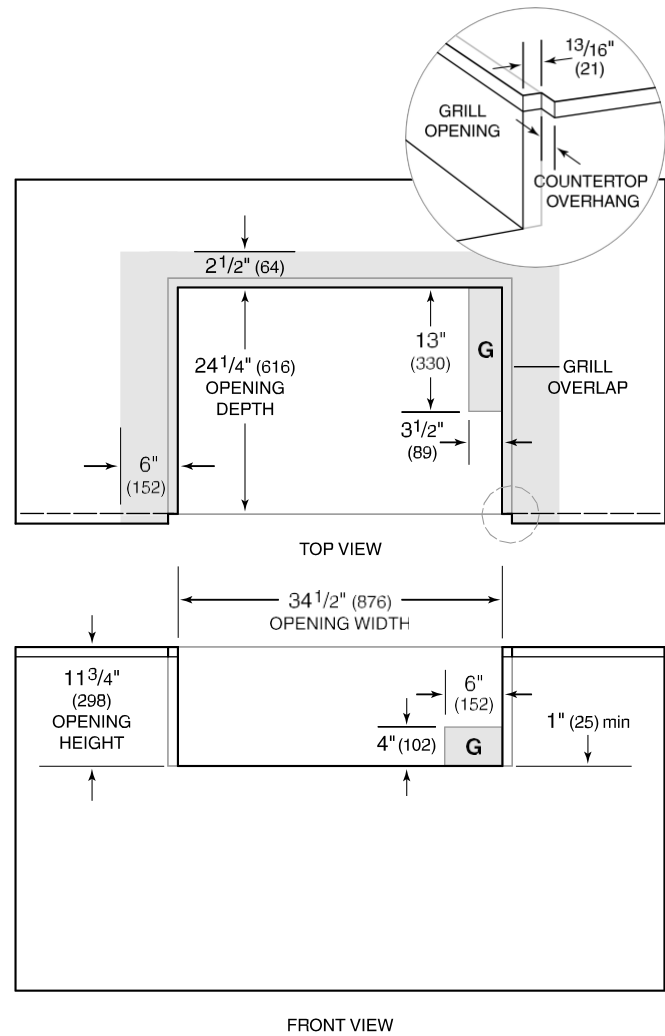


**NOTE:** Dimensions in parenthesis are in millimeters unless otherwise specified

**DIMENSIONS**



**NON-COMBUSTIBLE INSTALLATION**



**NOTE:** Shaded area above countertop indicates minimum clearance to combustible surfaces, combustible materials cannot be located within this area.