

ICBID-30CI



FEATURES

Ready to be fitted with custom panels and handles to blend with cabinetry

Automatic ice maker with "max ice" feature

Smart-touch controls for streamlined access to more settings

Soft-close doors and drawers

Soft-on LED lights for varying degrees of brightness

Rigorously tested in our U.S. manufacturing facilities to ensure decades of use

Exceptional support from Customer Care team

ACCESSORIES

Crisper cover

Dual installation kits

Stainless steel front panels with tubular or pro handles

Stainless steel kickplate

Stainless Steel Pro Handles

Stainless Steel Tubular Handles

Accessories are available through an authorized Sub-Zero dealer. For local dealer information, visit subzerowolf.com.hk.



HANDLE ACCESSORIES

PRO



TUBULAR



PRODUCT DETAILS

REFRIGERATOR

- 2 Temperature Zones

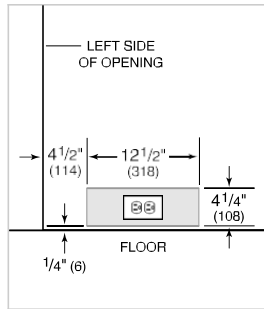
FREEZER

- Automatic ice maker

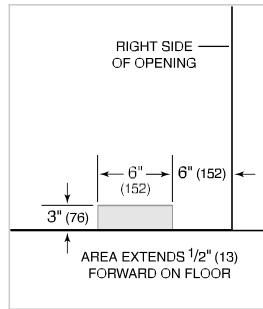
PRODUCT SPECIFICATIONS

Model	ICBID-30CI
Dimensions	762 mm W x 876 mm H x 610 mm D
Door Clearance	451 mm
Drawer Clearance	451 mm
Weight	95 kg
Refrigerator Capacity	58 L
Freezer Capacity	39 L
Electrical Supply	220-240 VAC; 50/60 Hz
Electrical Service	1.8 A
Water Pressure	2.4-8.3 bar

ELECTRICAL

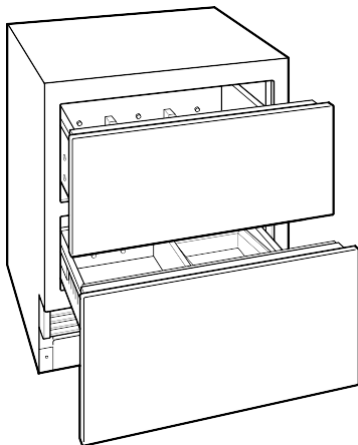


PLUMBING



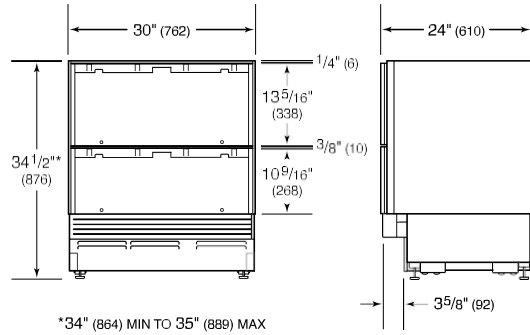
NOTE: Dimensions in parenthesis are in millimeters unless otherwise specified

INTERIOR VIEW

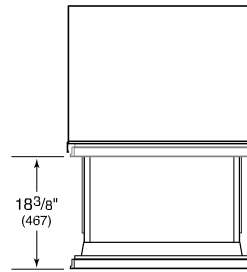


This illustration is intended for interior reference only and may not represent the exterior of the model being specified.

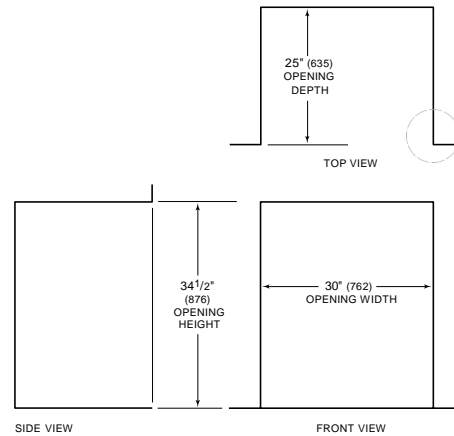
DIMENSIONS



*34" (864) MIN TO 35" (889) MAX



STANDARD INSTALLATION



NOTE: 3 1/2" (89) finished returns will be visible and should be finished to match cabinetry

