



DESIGN GUIDE

DESIGNER
(INTEGRATED SERIES)



EFFECTIVE 1/4/2019

TABLE OF CONTENTS

3	INTEGRATED REFRIGERATION
12	SUB-ZERO WARRANTIES



Features and specifications are subject to change at any time without notice.

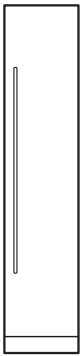
Throughout this guide, dimensions may vary by ± 3 mm.

INTEGRATED REFRIGERATION

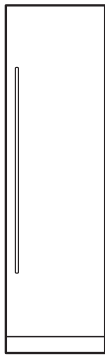
Integrated Refrigeration

With custom front panels and hardware, Sub-Zero invented integrated columns, tall and drawer models that disappear into the decor. Integrated units fit flush with other cabinets, making integrated refrigeration as practical and beautiful in the master suite, bar or theatre room as in the kitchen. Model ICBID-24RO, approved for outdoor installations, is ideal for any outdoor kitchen.

INTEGRATED MODELS



ICBIC-18FI



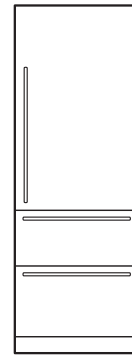
ICBIC-24R
ICBIC-24FI
ICBIC-24C



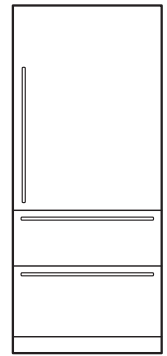
ICBIC-30RID
ICBIC-30FI



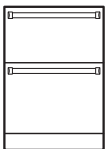
ICBIC-36RID



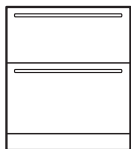
ICBIT-30RID
ICBIT-30CIID



ICBIT-36CIID



ICBID-24RO



ICBID-30RP
ICBID-30CI

Specifications

INTERIOR CAPACITY

COLUMN	R (L)*	F (L)*
ICBIC-18FI		230
ICBIC-24R	352	
ICBIC-24FI		338
ICBIC-24C	193	58
ICBIC-30RID	475	
ICBIC-30FI		415
ICBIC-36RID	590	

TALL	R (L)	F (L)
ICBIT-30RID	397	
ICBIT-30CIID	295	95
ICBIT-36CIID	359	130

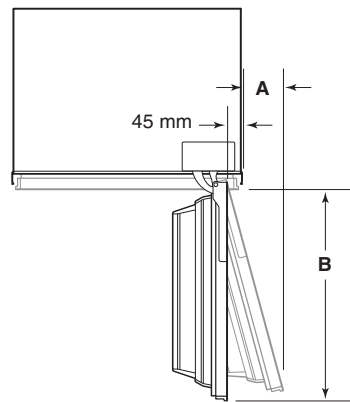
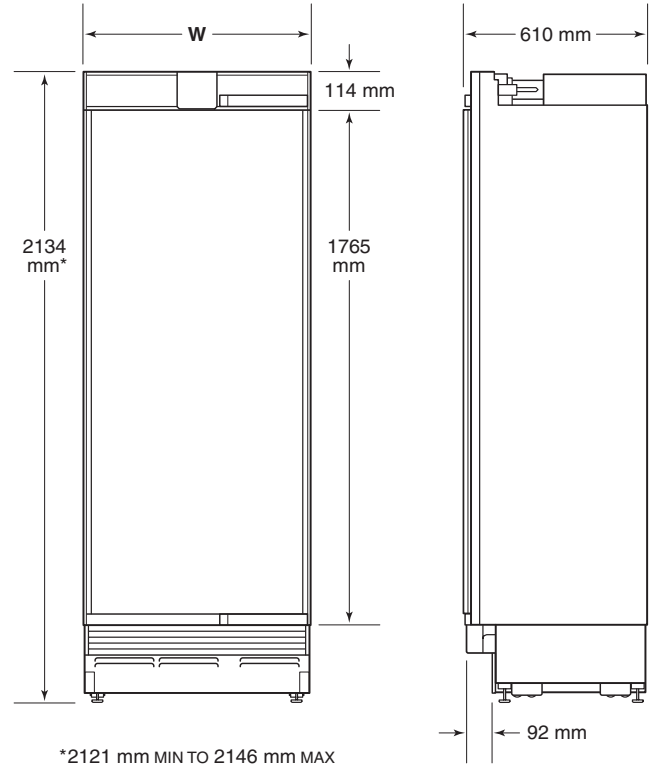
DRAWER	R (L)	F (L)
ICBID-24RO	113	
ICBID-30RP	138	
ICBID-30CI	58	39

* Useable volume based on ISO 15502

IMPORTANT NOTE: Overall dimensions do not include panels or handles. Dimensions will vary with panel thickness.

Overall Dimensions

COLUMN

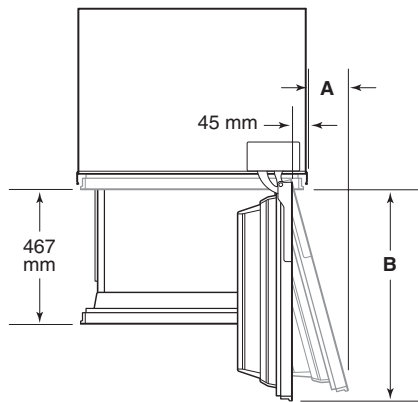
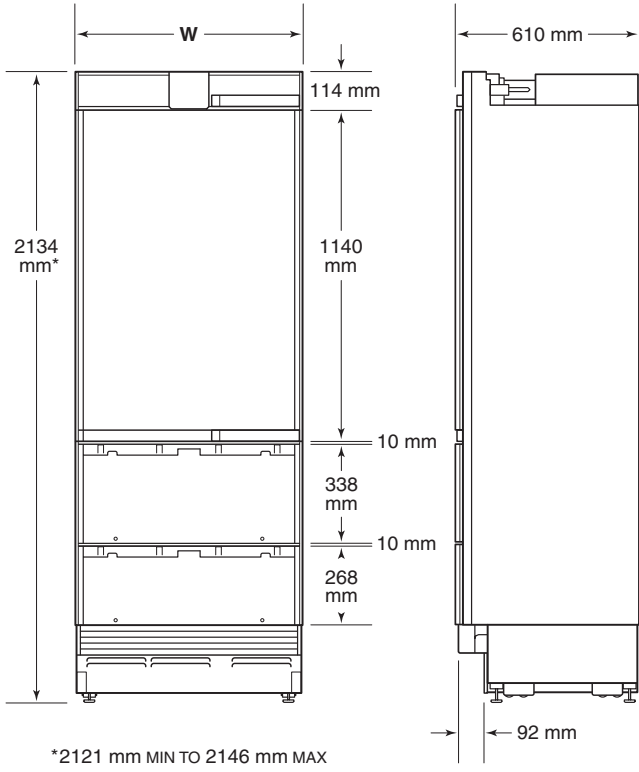


COLUMN	W	A	B
ICBIC-18FI	457 mm	64 mm	419 mm
ICBIC-24R, ICBIC-24FI, ICBIC-24C	610 mm	102 mm	572 mm
ICBIC-30RID, ICBIC-30FI	762 mm	143 mm	724 mm
ICBIC-36RID	914 mm	184 mm	876 mm

INTEGRATED REFRIGERATION

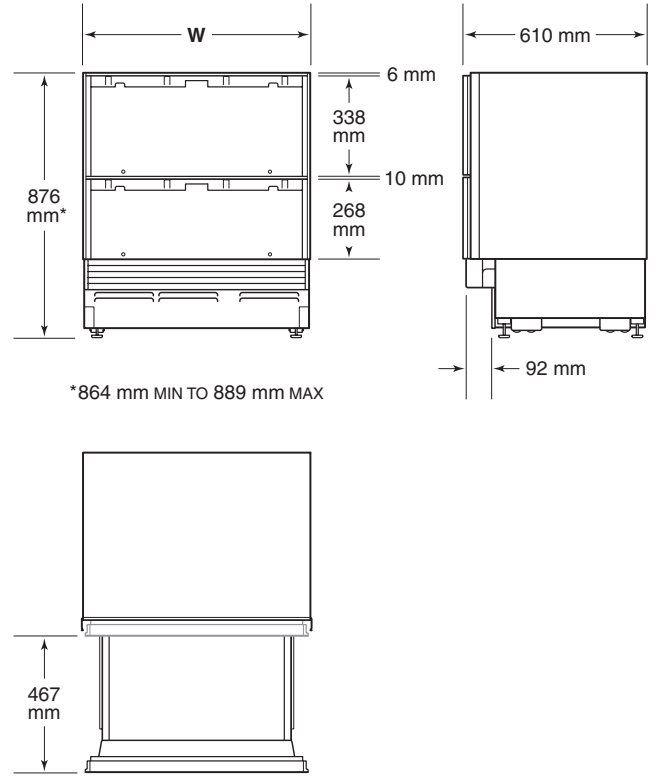
Overall Dimensions

TALL



TALL	W	A	B
ICBIT-30RID, ICBIT-30CIID	762 mm	143 mm	724 mm
ICBIT-36CIID	914 mm	184 mm	876 mm

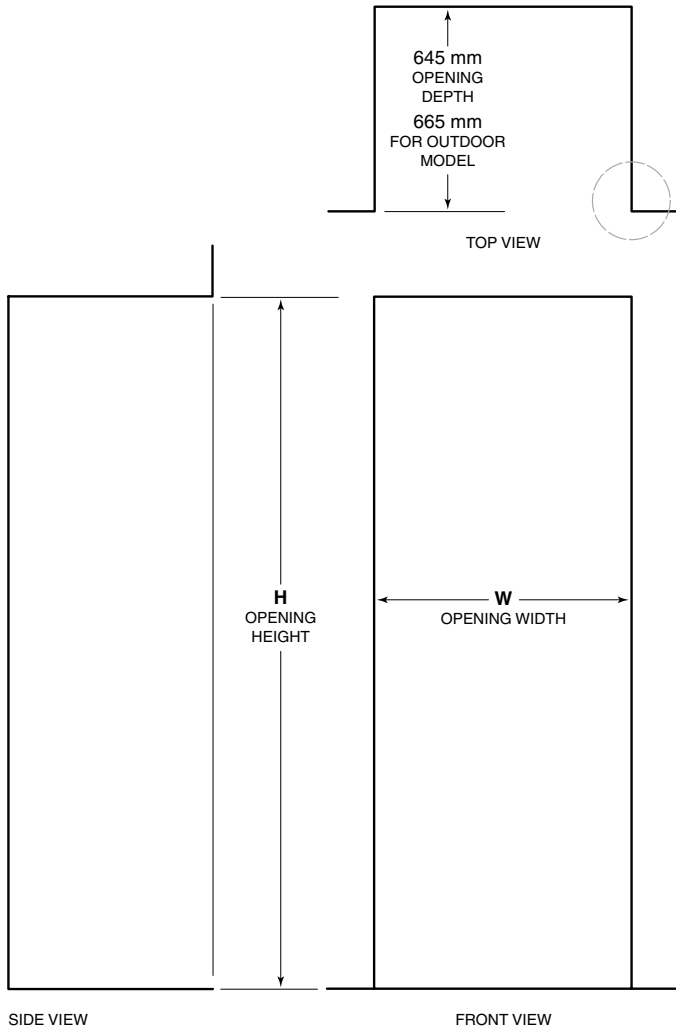
DRAWER



DRAWER	W
ICBID-24RO	610 mm
ICBID-30RP, ICBID-30CI	762 mm

Opening Dimensions

INTEGRATED MODELS



OPENING DIMENSIONS

COLUMN	W*	H
ICBIC-18FI	457 mm	2134 mm
ICBIC-24R, ICBIC-24FI, ICBIC-24C	610 mm	2134 mm
ICBIC-30RID, ICBIC-30FI	762 mm	2134 mm
ICBIC-36RID	914 mm	2134 mm
TALL	W*	H
ICBIT-30RID, ICBIT-30CIID	762 mm	2134 mm
ICBIT-36CIID	914 mm	2134 mm
DRAWER	W*	H
ICBID-24RO	610 mm	876 mm
ICBID-30RP, ICBID-30CI	762 mm	876 mm

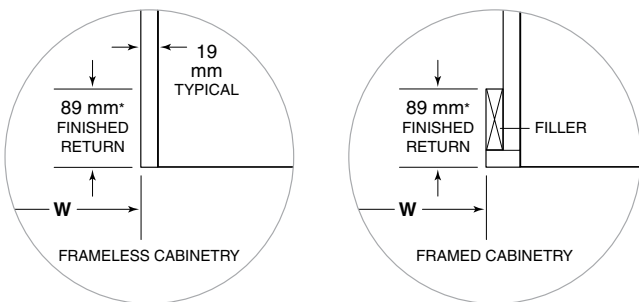
The depth of each integrated model is 610 mm. Allow for panel thickness when planning the finished opening depth. A minimum 89 mm finished return is required on all sides of the opening—114 mm for outdoor model. Framed cabinets will require additional finished filler material behind the face frame for a proper installation. Refer to the illustration.

DUAL INSTALLATION

When installing two units side by side in a dual installation, the opening width is the width of the two units added together. A dual installation kit will be required for this installation. If a dual installation kit is not specified, a minimum 51 mm filler strip is required between units.

Dual installation kits are available through an authorized Sub-Zero dealer. For questions regarding the installation, contact your authorized Sub-Zero dealer.

*89 mm finished returns will be visible and should be finished to match cabinetry—114 mm for outdoor model.



INTEGRATED REFRIGERATION

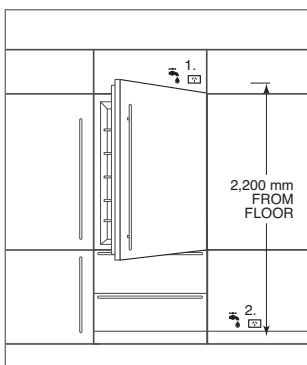
Electrical

International models from the factory require a 220-240 V AC, 50/60 Hz electrical supply, fused at the correct rating for the unit.

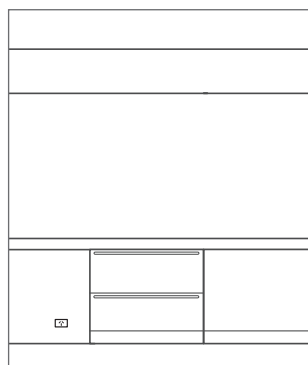
The electrical supply should be easily accessible either in the cabinet above the refrigerator a MINIMUM OF 2200MM ABOVE THE FLOOR or in the cabinet alongside.

ELECTRICAL REQUIREMENTS

Power Supply	220-240 V AC, 50/60 Hz
Circuit Breaker	10 amp
Receptacle	3-prong grounding-type (earthed)



Integrated. Tall models. Alternative location of power and water supply depending on ease of access.



Integrated. Under bench model. Location of power.

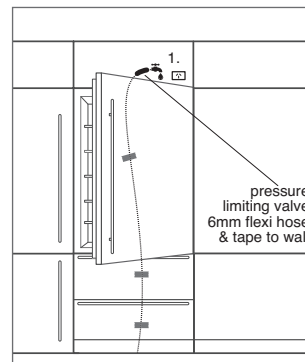
Plumbing

For integrated models with an automatic ice maker, a pressure limiting valve and 5 meters of flexible 6mm pipe with fittings is included in the refrigerator carton. Connect the pressure limiting valve close to the water tap, CHECKING THE WATER FLOW IS IN THE RIGHT DIRECTION. Ensure water connection is $\frac{1}{2}$ " BSP male threaded outlet. Tape the 6mm water line to the wall and floor to ensure it isn't squashed when the refrigerator is pushed into the cavity. Locate the water tap either in the cabinet above a minimum of 2200mm from the floor, or in the cabinet alongside. Do not use self-piercing valves.

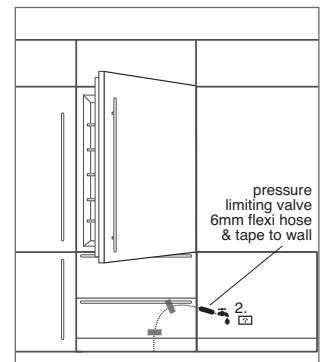
IMPORTANT NOTE: In some cases, a reverse osmosis water filter system may not be able to maintain the minimum pressure consistently.

PLUMBING REQUIREMENTS

Water Supply Line	6mm Plastic Line
Water Pressure	2.4 - 8.3 bar
Excess Water Line for Connection	5 m



1. Integrated. Water supply above fridge. Location of 6mm flexible hose. Tape to wall and floor with pressure limiting valve next to tap.



2. Integrated. Water supply beside fridge. Location of 6mm flexible hose. Tape to wall and floor with pressure limiting valve next to tap.

Stainless Steel Panels

Stainless steel panels are available through an authorized Sub-Zero dealer.

The thickness of indoor stainless steel panels are 19 mm. The thickness of the Outdoor stainless steel panels is 38mm. The depth of each integrated model is 610 mm. Allow for panel thickness when planning the finished opening depth.

3 mm reveals are typical, however, the reveal between the upper and lower outdoor stainless steel panels is 6 mm to accommodate the lock.

Custom Panels

For integrated models, custom door panels and handle hardware must be provided. Refer to the panel requirements chart and typical panel dimensions.

The thickness of the custom panel can vary. A minimum 16 mm thick panel is required, but the thickness can be increased provided it does not exceed the weight limit. The depth of each integrated model is 610 mm. Allow for panel thickness when planning the finished opening depth. Refer to the full-scale template on page 11.

⚠ CAUTION

As reveals between cabinetry and the unit decrease, severe finger pinching can occur while door is closing.

Finish all sides of custom panels. They will be visible when the door/drawer is open.

D-style handles are recommended. Door handles must be located near the edge of the panel opposite the hinge and should be centered top to bottom. Drawer handles must be located near the top edge of each panel. Stainless steel tubular and pro handles are available through an authorized Sub-Zero dealer.

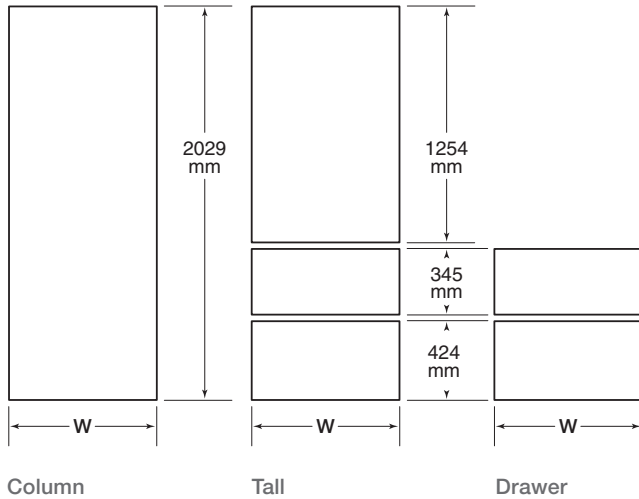
PANEL REQUIREMENTS

COLUMN	MAX WEIGHT
457 mm Model	20 kg
610 mm Model	27 kg
762 mm Model	34 kg
914 mm Model	34 kg
TALL (DOOR)	MAX WEIGHT
762 mm Model	22 kg
914 mm Model	27 kg
DRAWER	MAX WEIGHT
Drawer Panel	7 kg
PANEL THICKNESS	MINIMUM
All Panels	16 mm

INTEGRATED REFRIGERATION

Custom Panels

TYPICAL PANEL DIMENSIONS



Typical panel dimensions are based on a 2134 mm finished height for column and tall models and 876 mm for drawer models, with a 102 mm toe kick and 3 mm reveals. Panel dimensions must be adjusted accordingly for all other installations. Refer to the illustration for panel heights and the chart below for panel widths.

PANEL WIDTH	W
457 mm Model	451 mm
610 mm Model	603 mm
762 mm Model	756 mm
914 mm Model	908 mm

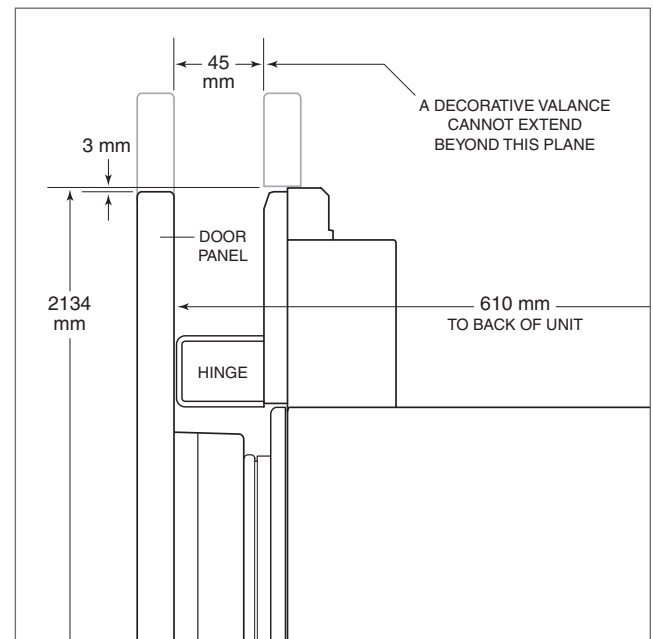
DUAL INSTALLATION

For dual installations, refer to the illustration for panel heights and the chart below for panel widths.

PANEL WIDTH—DUAL INSTALLATION	W
457 mm Model	452.5 mm
610 mm Model	604.5 mm
762 mm Model	757.5 mm
914 mm Model	909.5 mm

DOOR PANEL HEIGHT

The height of the custom door panel can extend beyond the typical panel height, provided it does not exceed the weight limit. Refer to the illustration below.



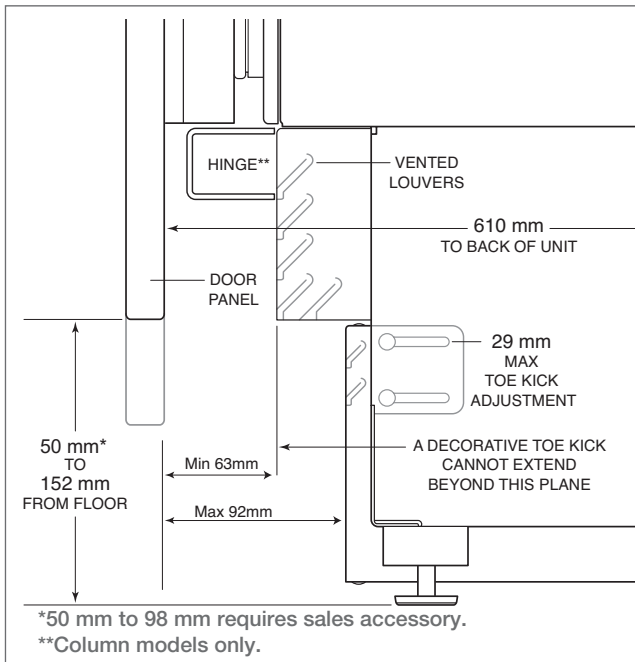
Upper valance—column and tall (side view).

INTEGRATED REFRIGERATION

Custom Panels

TOE KICK CLEARANCE (EXCLUDES OUTDOOR MODEL)

The height of the toe kick area can extend beyond the typical toe kick height, provided it does not exceed the dimensions in the illustration below. Toe kick heights from 50 mm to 98 mm require a reduced toe kick accessory available through an authorized Sub-Zero dealer.



Toe kick (side view).

Standard Handles

Optional stainless steel tubular and pro handles are available through an authorized Sub-Zero dealer.

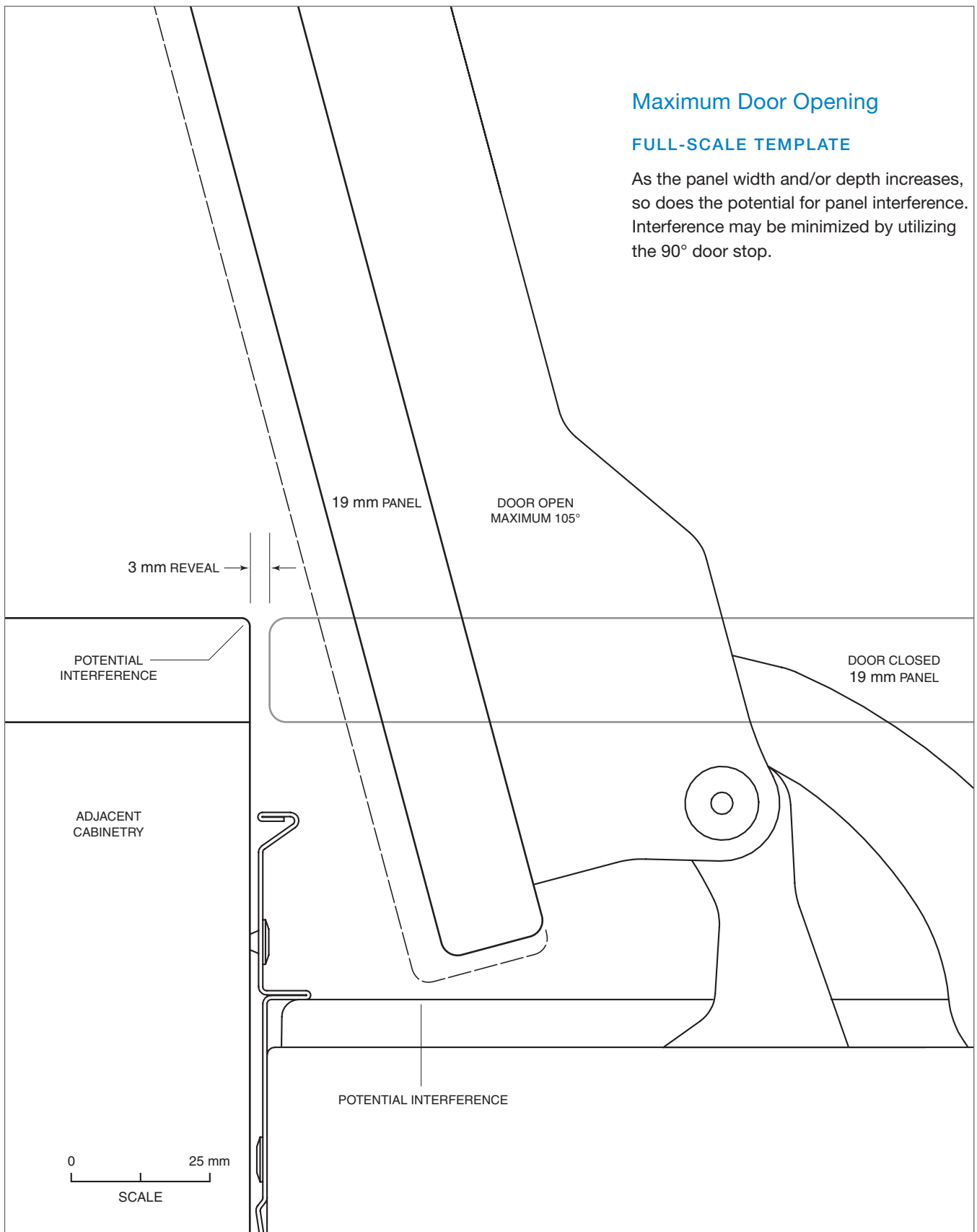
Refer to the chart below for standard handle lengths for integrated models.

HANDLE LENGTH	TUBULAR	PRO
Column Door	1273 mm	1229 mm
Tall Door	845 mm	800 mm
610 mm Drawer	540 mm	495 mm
762 mm Drawer	692 mm	648 mm
914 mm Drawer	845 mm	800 mm

Maximum Door Opening

FULL-SCALE TEMPLATE

As the panel width and/or depth increases, so does the potential for panel interference. Interference may be minimized by utilizing the 90° door stop.



Maximum door opening (top view).

Sub-Zero International Limited Warranty

FOR RESIDENTIAL USE

FULL TWO YEAR WARRANTY*

For two years from the date of original installation, this Sub-Zero product warranty covers all parts and labor to repair or replace, under normal residential use, any part of the product that proves to be defective in materials or workmanship. All service provided by Sub-Zero under the above warranty must be performed by Sub-Zero factory certified service, unless otherwise specified by Sub-Zero, Inc. Service will be provided during normal business hours.

FULL FIVE YEAR SEALED SYSTEM WARRANTY

For five years from the date of original installation, this Sub-Zero product warranty covers all parts and labor to repair or replace, under normal residential use, these parts that prove to be defective in materials or workmanship: compressor, condenser, evaporator, drier and all connecting tubing. All service provided by Sub-Zero under the above warranty must be performed by Sub-Zero factory certified service, unless otherwise specified by Sub-Zero, Inc. Service will be provided during normal business hours.

For more information regarding your Sub-Zero product warranty, contact your authorized Sub-Zero dealer. Warranties must comply to all country, state, city, local and or ordinance.

*Stainless steel (doors, panels, handles, product frames and interior surfaces) are covered by a limited 60-day parts and labor warranty for cosmetic defects.

*Replacement water filters and air purification cartridges are not covered by the product warranty.



Sub-Zero, Sub-Zero & Design, Sub-Zero & Snowflake Design, Dual Refrigeration, The Living Kitchen, Great American Kitchens The Fine Art of Kitchen Design, Wolf, Wolf & Design, Wolf Gourmet, W & Design, red colored knobs, Cove, and Cove & Design, are registered trademarks and service marks of Sub-Zero Group, Inc. and its subsidiaries. All other trademarks are property of their respective owners in the United States and other countries.



SUB-ZERO GROUP AUSTRALIA PTY LTD

Bank House, 11 – 19 Bank Place.
Melbourne Victoria Australia 3000
Telephone 03 9600 2218

enquiries@subzero.com



SUBZERO-WOLF.COM.AU