

ICBIC-24C



FEATURES

- Panel ready to accept custom panel and handle

- Dual refrigeration keeps food fresher longer

- Combination refrigerator with interior freezer drawers

- Nano-coated spill-proof shelves for easy clean-up

- High-humidity crisper drawer for optimum freshness

- Smart-touch controls for streamlined access to more settings

- Air purification system fights spoilage, odors

- Rigorously tested in our U.S. manufacturing facilities for decades of use

ACCESSORIES

- Air purification cartridge

- Egg container

- Stainless steel tubular handle

- Stainless steel pro handle

- Dual installation kit

- Stainless steel front panel with tubular or pro handle

- Stainless steel kickplate

- Stainless steel side enclosure

- Stainless steel top enclosure

- Reduced toe kick divider for toe kicks from 98 mm to 51 mm

Accessories available through an authorized Sub-Zero dealer. For local dealer information, visit subzero-wolf.com.hk



HANDLE ACCESSORIES

PRO



TUBULAR



PRODUCT DETAILS

REFRIGERATOR

- 3 Adjustable glass shelves
- 1 Stationary shelf
- High humidity crisper drawer with adjustable dividers
- Adjustable dairy compartment
- 2 Adjustable door shelves
- 1 Stationary door shelf

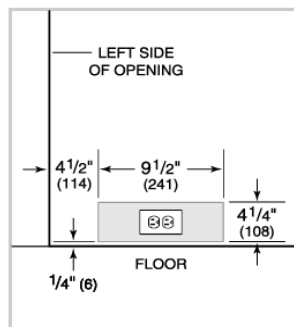
FREEZER

- 2 Freezer storage drawers

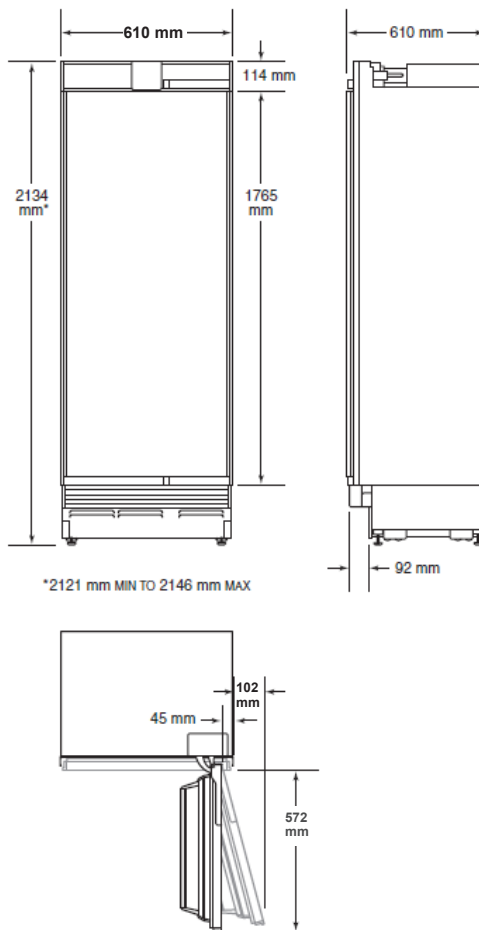
PRODUCT SPECIFICATIONS

Model	ICBIC-24C
Dimensions	610 mm W x 2134 mm H x 610 mm D
Door Clearance	572 mm
Refrigerator Capacity	193 L
Freezer Capacity	58 L
Weight	154 kg
Electrical Supply	220–240 VAC; 50/60 Hz
Electrical Service	0.9 A
Receptacle	3-prong grounding-type

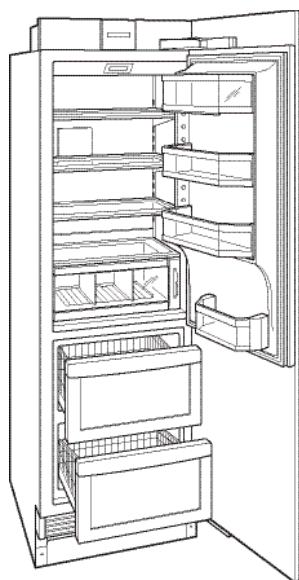
ELECTRICAL



DIMENSIONS

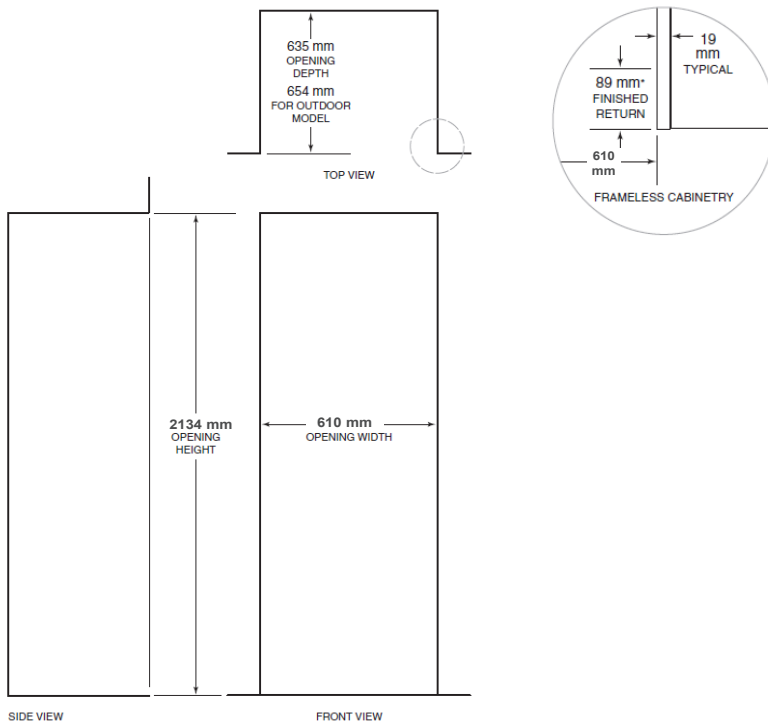


INTERIOR VIEW



This illustration is intended for interior reference only and may not represent the exterior of the model being specified.

STANDARD INSTALLATION



*89 mm finished returns will be visible and should be finished to match cabinetry—114 mm for outdoor model.