

ICBDO30TM/S/TH



## FEATURES

Advanced Dual VertiCross convection system for faster preheats and consistent cooking across all racks

Gourmet feature has menu of presets that automatically controls cooking of popular meals

Interactive color touchscreen for advanced cooking control

Quiet-close doors with spring-and-damper door hinge system

Can be installed flush with surrounding cabinetry for integrated look

Enhanced interior views with triple-pane glass and three halogen lights

10 cooking modes for predictably delicious results (Convection, Roast, Bake, Grill, Convection Roast, Stone, Gourmet, Warm, Proof and Dehydrate)

145 L capacity to handle multiple dishes at once

Rigorously tested in our U.S. manufacturing facilities for decades of use

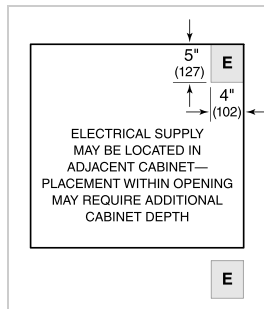
Exceptional support from our Customer Care team



**PRODUCT SPECIFICATIONS**

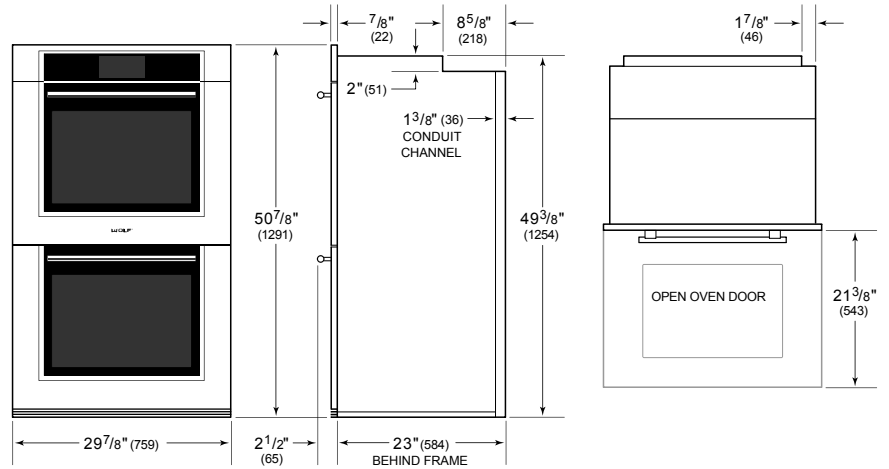
|                            |                           |
|----------------------------|---------------------------|
| Model                      | ICBDO30TM/S/TH            |
| Dimensions                 | 759mmW x 1292mmH x 584mmD |
| Oven 1 Interior Dimensions | 641mmW x 448mmH x 506mmD  |
| Oven 2 Interior Dimensions | 641mmW x 448mmH x 506mmD  |
| Overall Capacity           | 145 L                     |
| Door Clearance             | 543mm                     |
| Weight                     | 211 kg                    |
| Electrical Supply          | 220-240 VAC; 50/60 Hz     |
| Electrical Service         | 8.4-9.6 kW                |

**ELECTRICAL**

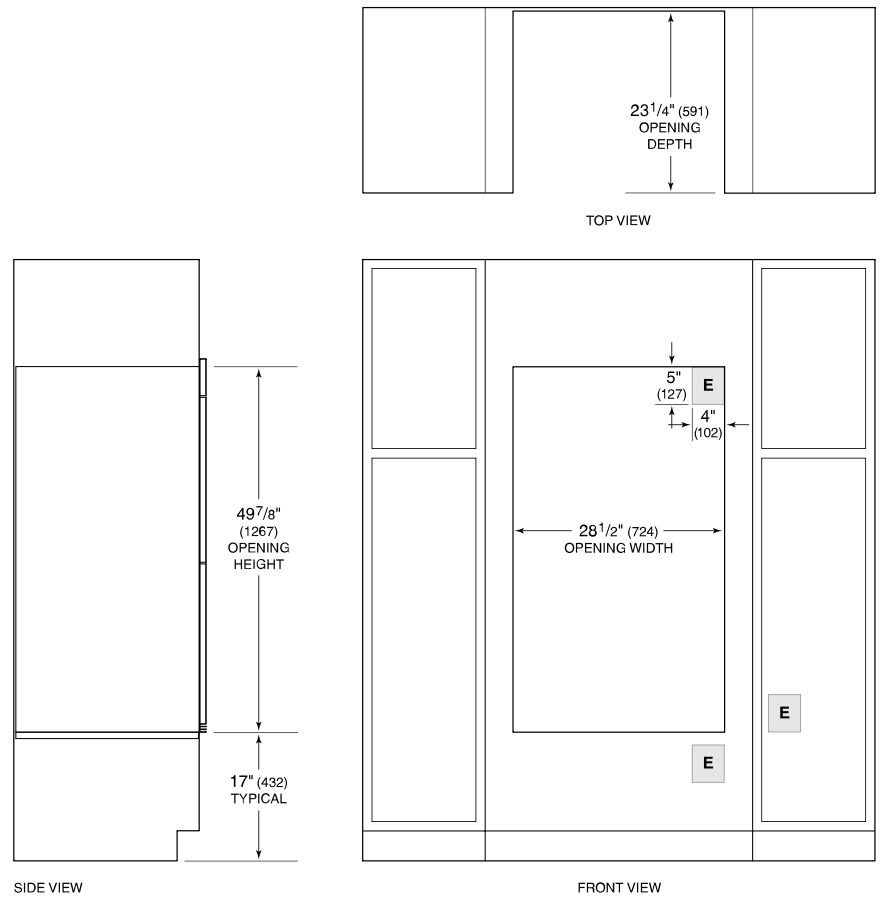


**NOTE:** Dimensions in parenthesis are in millimeters unless otherwise specified

**DIMENSIONS**



**STANDARD INSTALLATION**



**NOTE:** Location of electrical supply within opening may require additional cabinet depth.