



# Design Guide

ICB REVISED 1/2021



## Contents

- 3** Classic Series Refrigeration
- 13** PRO Series Refrigeration
- 21** Designer Series Refrigeration
- 32** Wine Storage
- 60** Sub-Zero Warranty



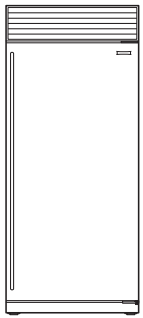
Features and specifications are subject to change at any time without notice.

Throughout this guide, dimensions may vary by  $\pm 3$  mm.

## Classic Series Refrigeration

Sub-Zero designers and engineers continue to perfect the Classic series line. The addition of LED lighting throughout and several new models with internal water dispensers, along with the same advanced food preservation technology Sub-Zero is known for, make the Classic series nothing short of revolutionary.

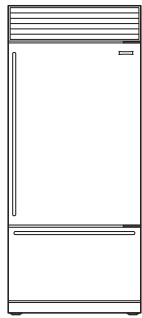
### CLASSIC SERIES MODELS



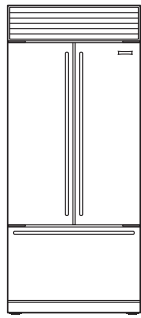
ICBBI-36R



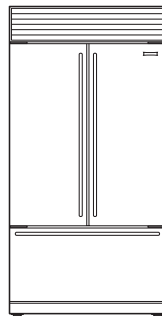
ICBBI-36F



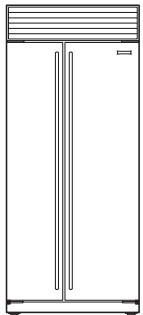
ICBBI-36UID



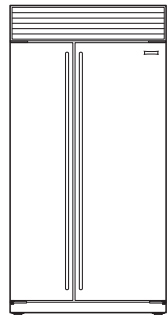
ICBBI-36UFDID



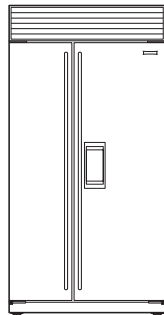
ICBBI-42UFDID



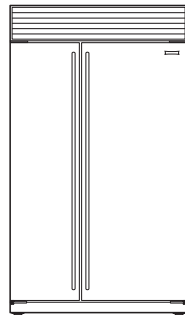
ICBBI-36S



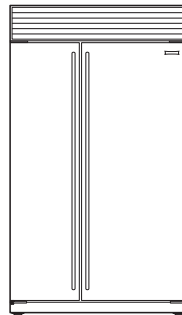
ICBBI-42S



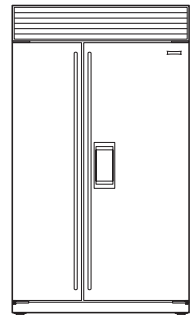
ICBBI-42SD



ICBBI-48S



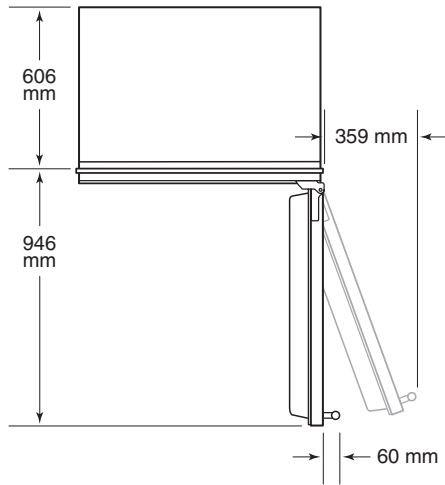
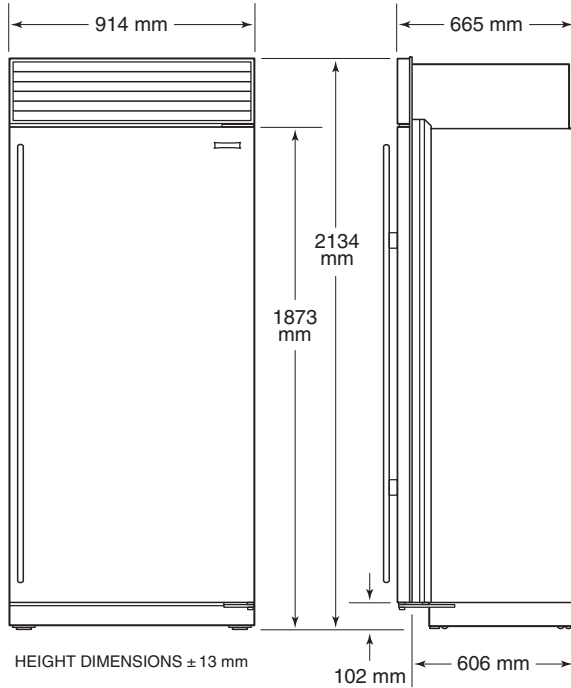
ICBBI-48SID



ICBBI-48SD

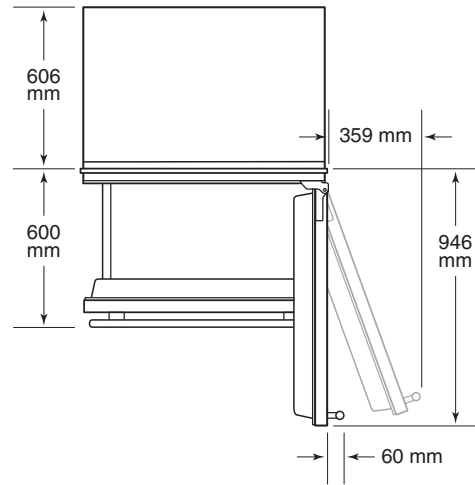
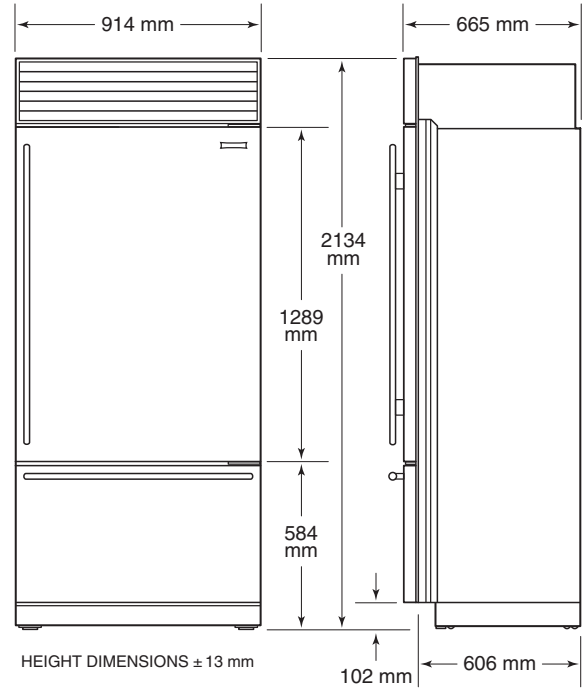
## Overall Dimensions

### ALL REFRIGERATOR / ALL FREEZER



Model ICBBI-36R, ICBBI-36F

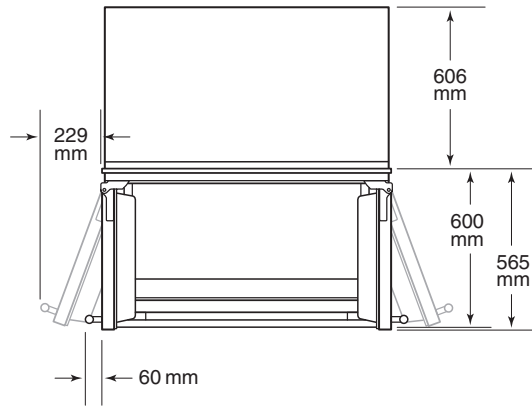
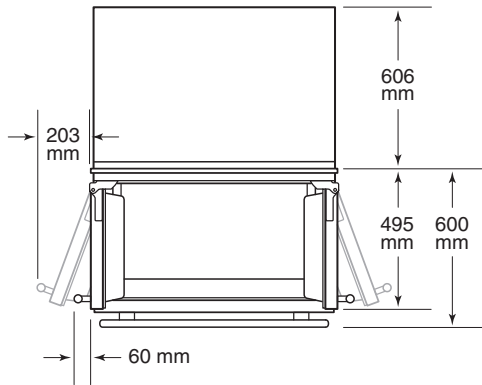
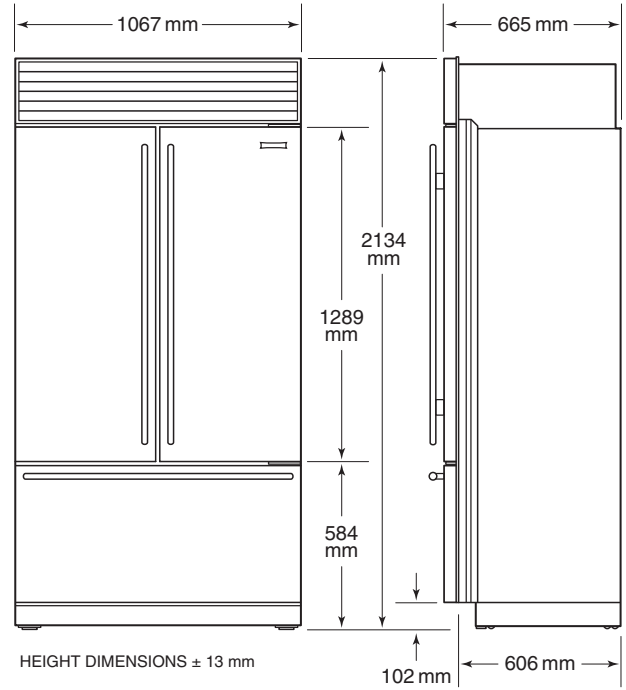
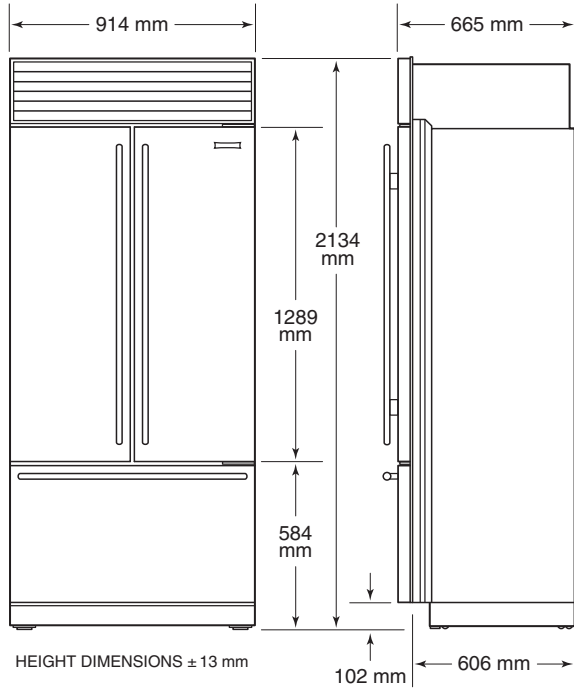
### OVER-AND-UNDER



Model ICBBI-36UID

## Overall Dimensions

### OVER-AND-UNDER

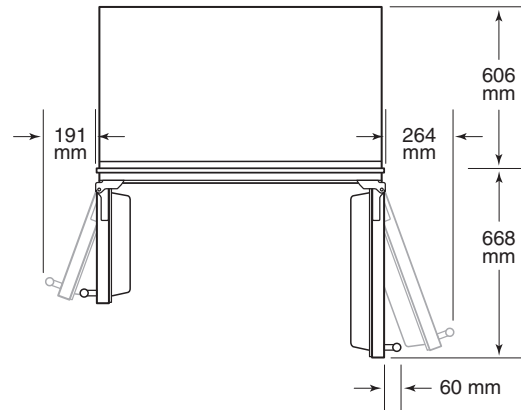
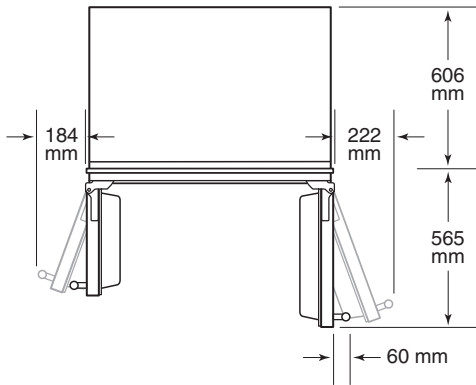
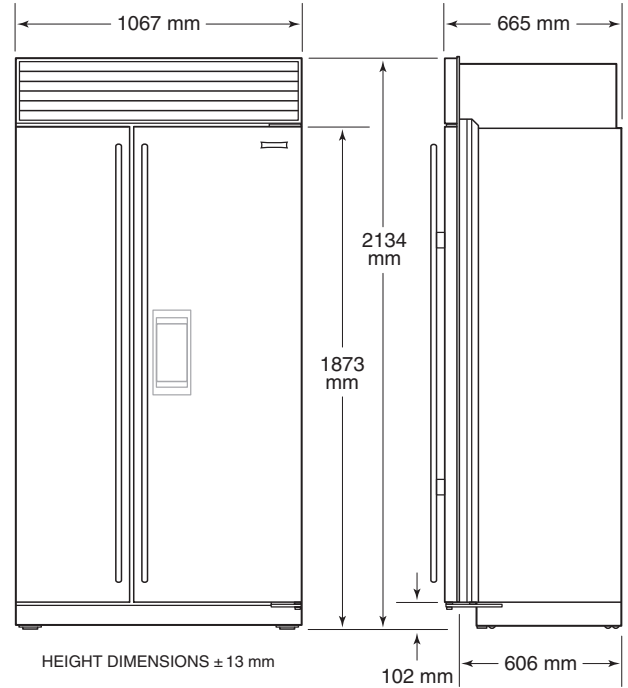
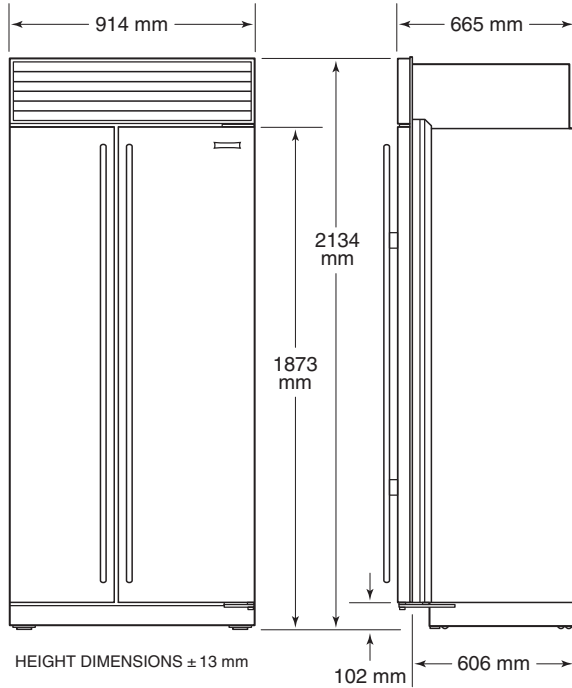


Model ICBBI-36UFDID

Model ICBBI-42UFDID

## Overall Dimensions

### SIDE-BY-SIDE

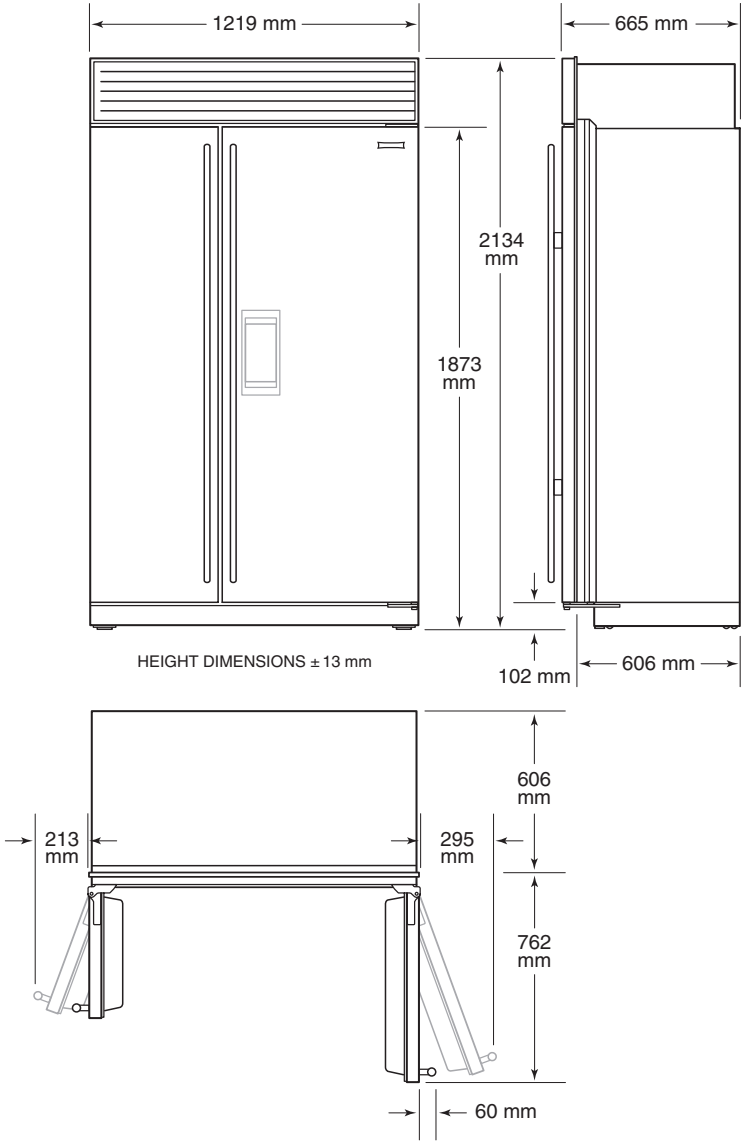


Model ICBBI-36S

Model ICBBI-42S, ICBBI-42SD

Overall Dimensions

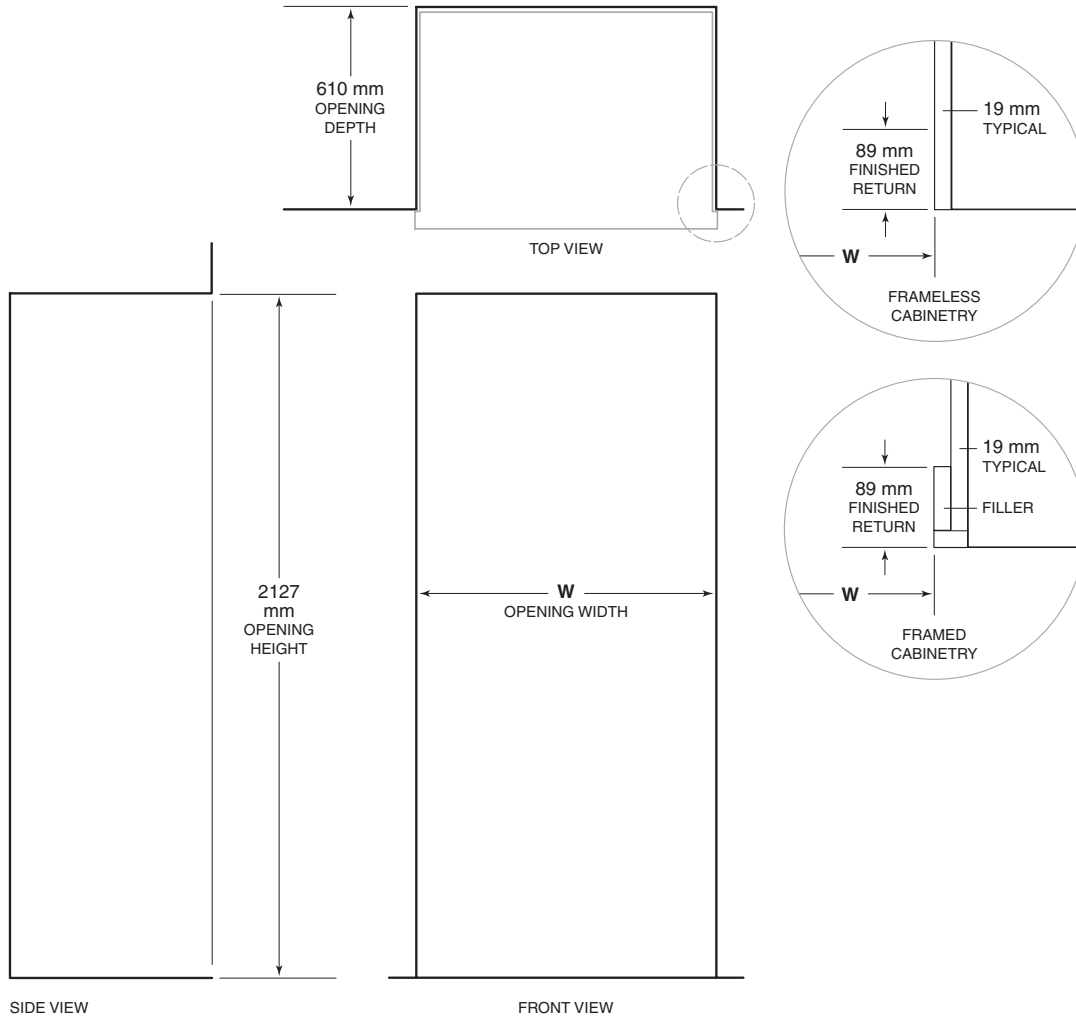
SIDE-BY-SIDE



Model ICBBI-48S, ICBBI-48SID, ICBBI-48SD

## Opening Dimensions

### STANDARD INSTALLATION



NOTE: 89 mm finished returns will be visible and should be finished to match cabinetry. Shaded line represents profile of unit.

OPENING WIDTH	W
914 mm Model	902 mm
1067 mm Model	1054 mm
1219 mm Model	1206 mm

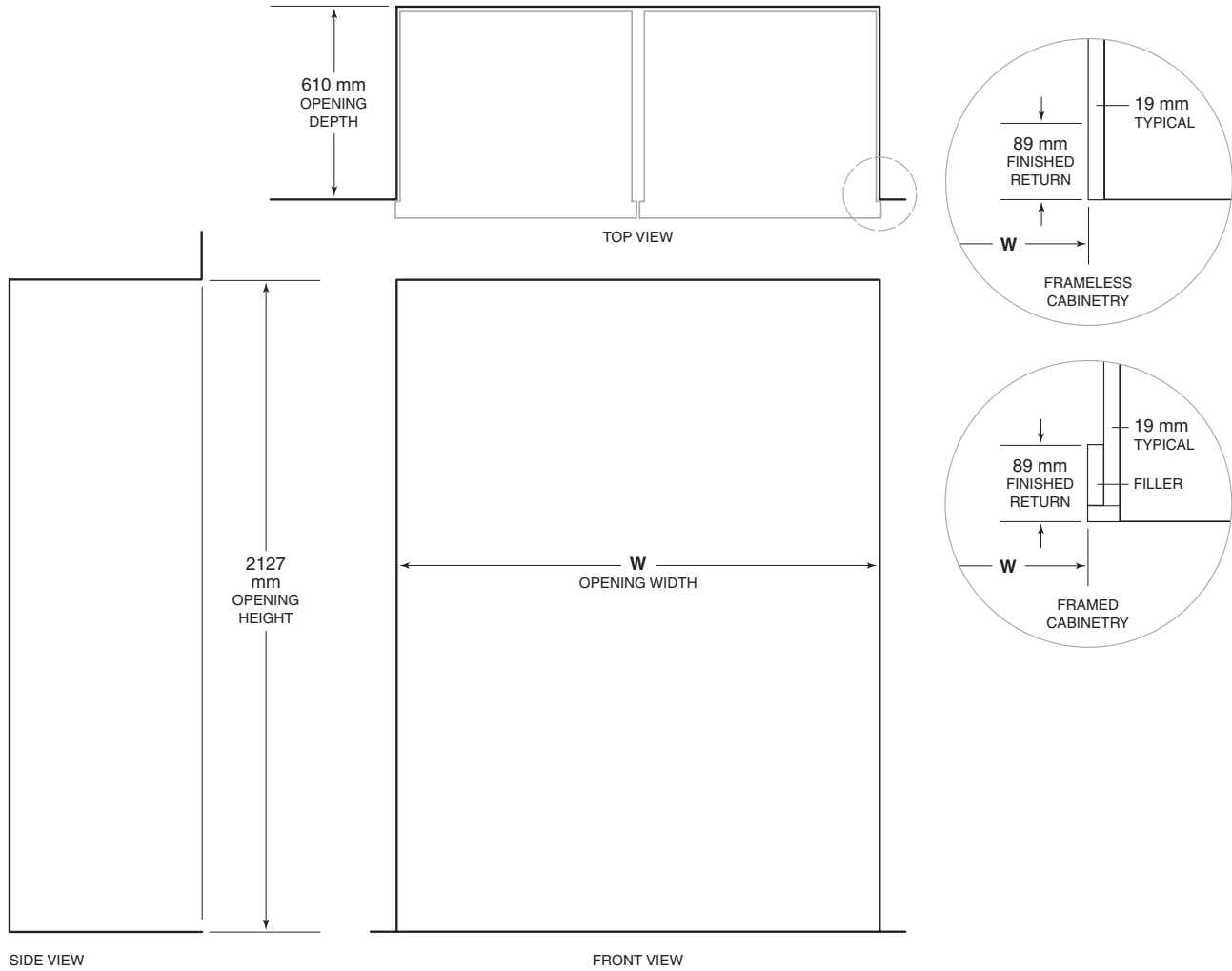
If a 2108 mm grille height is specified, the opening height must be decreased by 22 mm. If a 2235 mm grille height is specified, the opening height must be increased by 102 mm.

If two units are installed side by side, refer to the following for dual standard installations.



## Opening Dimensions

### DUAL STANDARD INSTALLATION



NOTE: 89 mm finished returns will be visible and should be finished to match cabinetry. Shaded line represents profile of unit.

#### OPENING WIDTH

W

Two 914 mm Models

1822 mm

A dual installation kit will be required for this installation.

## Electrical Requirements

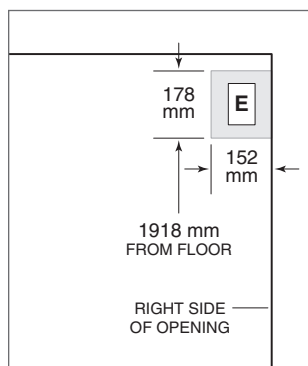
Installation must comply with all applicable electrical codes and be properly grounded (earthed).

International models from the factory designed without a transformer require a 220-240 V AC, 50/60 Hz electrical supply, fused at the correct rating for the unit. If required by local or national codes, the power cord can be easily replaced using the power inlet device.

The electrical supply should be located within the shaded area shown in the illustration below. A separate circuit servicing only this appliance is required. A ground fault circuit interrupter (GFCI) is not recommended and may cause interruption of operation.

### ELECTRICAL REQUIREMENTS

Power Supply	220-240 V AC, 50/60 Hz
Circuit Breaker	10 amp
Receptacle	grounding-type (earthed)



Electrical supply location

## Plumbing Requirements

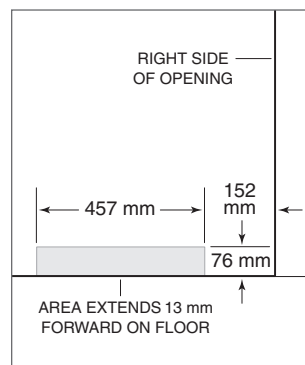
Installation must comply with all applicable plumbing codes.

For Classic series models with an automatic ice maker, the water supply line should be located within the shaded area shown in the illustration below. The water supply line should be connected to the house supply with an easily accessible shut-off valve. Do not use self-piercing valves. The water supply line must not interfere with installation of the anti-tip brackets.

A reverse osmosis system can be used provided there is constant water pressure of 2.4–8.3 bar supplied to the unit at all times. A copper line is not recommended for this application.

### PLUMBING REQUIREMENTS

Water Supply Line	6.4 mm OD copper line, braided stainless steel, or PEX tubing
Water Pressure	2.4–8.3 bar
Excess Water Line for Connection	.9 m



Water supply location

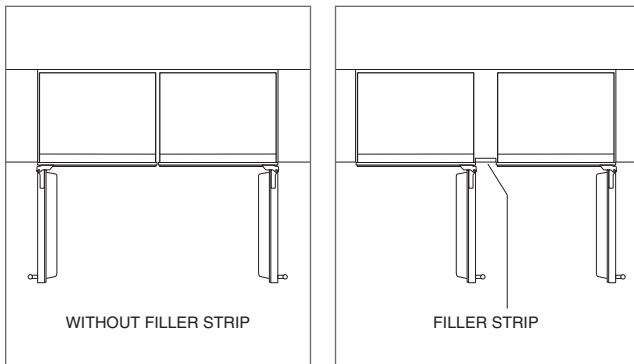
## Dual Installation

If two units are installed side by side, a dual installation kit may be required. Installations without a custom filler strip require a dual installation kit. If a dual installation kit is not specified, a 51 mm filler strip is recommended between the units. A custom filler strip is required when installing two French door or side-by-side models. Dual installations without a filler strip can only be accomplished using two units with opposite hinges. Refer to the illustrations below.

Dual installation kits are available through an authorized Sub-Zero dealer. For questions regarding the installation, contact your authorized Sub-Zero dealer.

## DUAL WIDE GRILLE

A dual wide grille spans the entire width of both units in a dual installation and is a part of a dual installation kit.



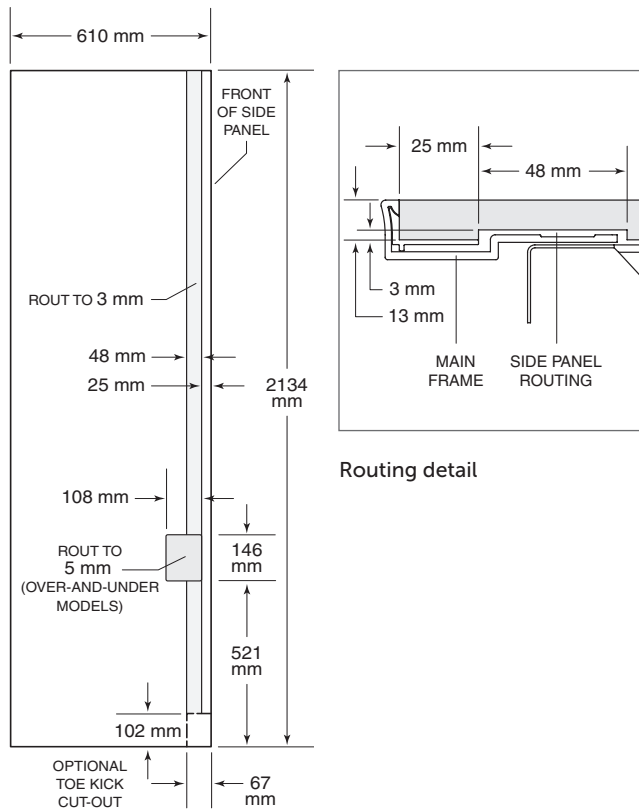
Opposite hinges

Same side hinges

## Side Panel

The custom side panels must be a minimum of 610 mm deep and 13 mm thick. Routing will be necessary for the side panel to fit flush against the side of the unit. Refer to the illustrations below.

When installing a Classic series unit with a custom side panel, an accessory kit is required. Stainless steel side panels are available through an authorized Sub-Zero dealer.



Side panel dimensions

## Standard Handles

Optional stainless steel tubular and pro handles are available through an authorized Sub-Zero dealer.

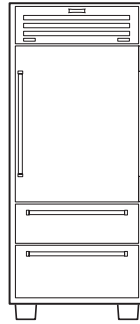
Refer to the chart below for standard handle lengths for Classic series models.

HANDLE LENGTH	TUBULAR	PRO
Full Door	1622 mm	1147 mm
Over-and-Under Door	1124 mm	952 mm
914 mm Drawer	770 mm	600 mm
1067 mm Drawer	922 mm	753 mm

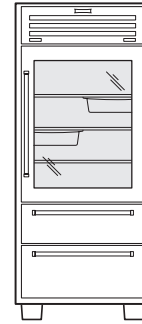
## PRO Series Refrigeration

Freshness finds unmistakable expression with Sub-Zero PRO Series Refrigeration. A monument to food preservation—equal parts sculpted metal design statement and culinary secret weapon. Its vast interior, like its bold exterior, is crafted of stainless steel. Available in 914 mm and 1219 mm widths, with a glass or solid door, and may be either built in or freestanding.

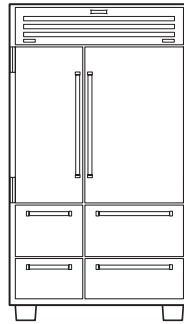
### PRO SERIES MODELS



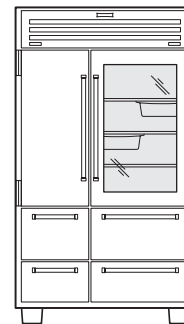
ICBPRO3650



ICBPRO3650G



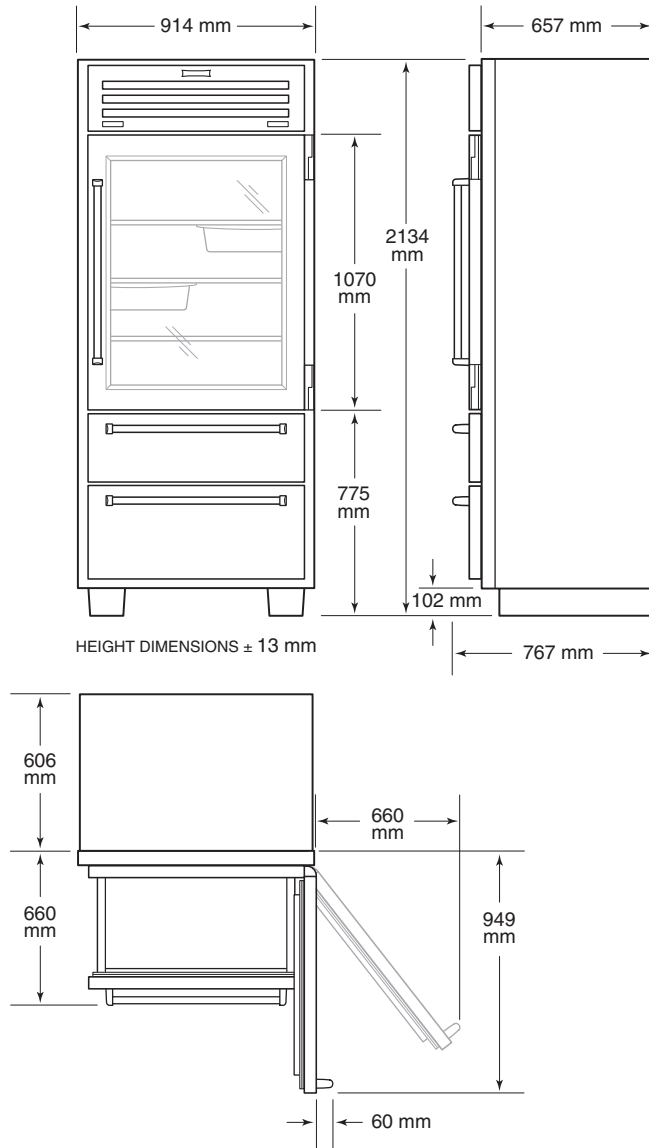
ICBPRO4850



ICBPRO4850G

## PRO Series Refrigeration

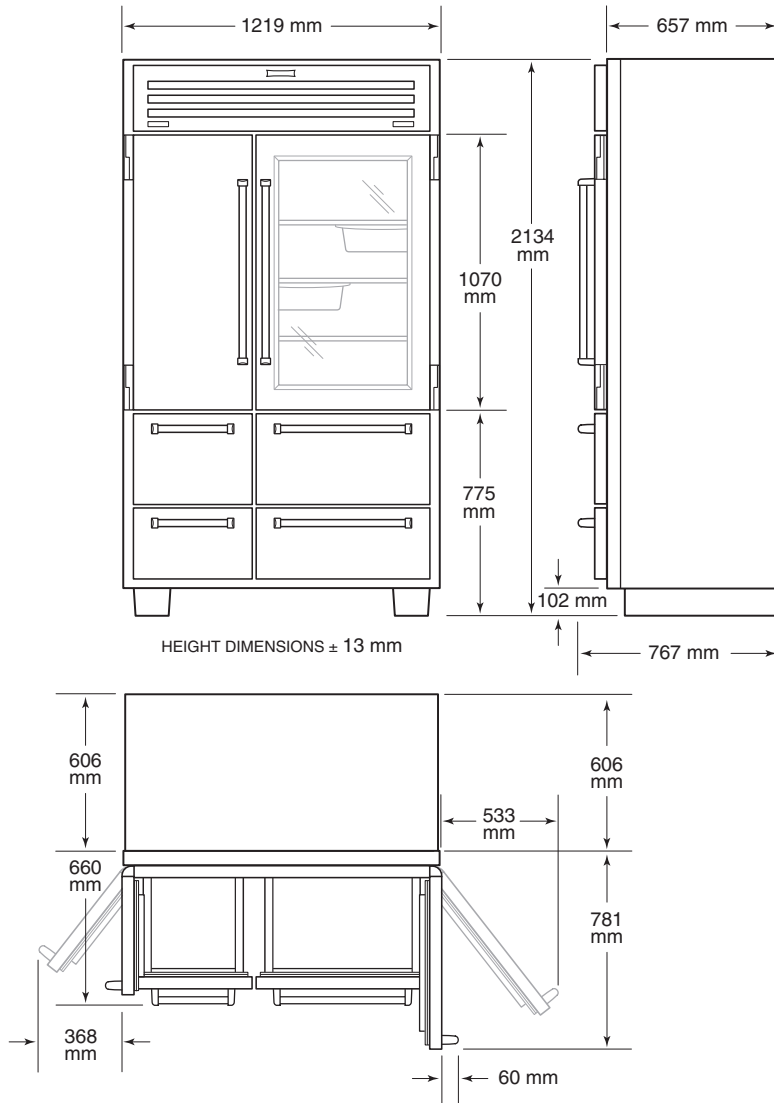
### 914 mm MODEL



Model ICBPRO3650 / ICBPRO3650G

## PRO Series Refrigeration

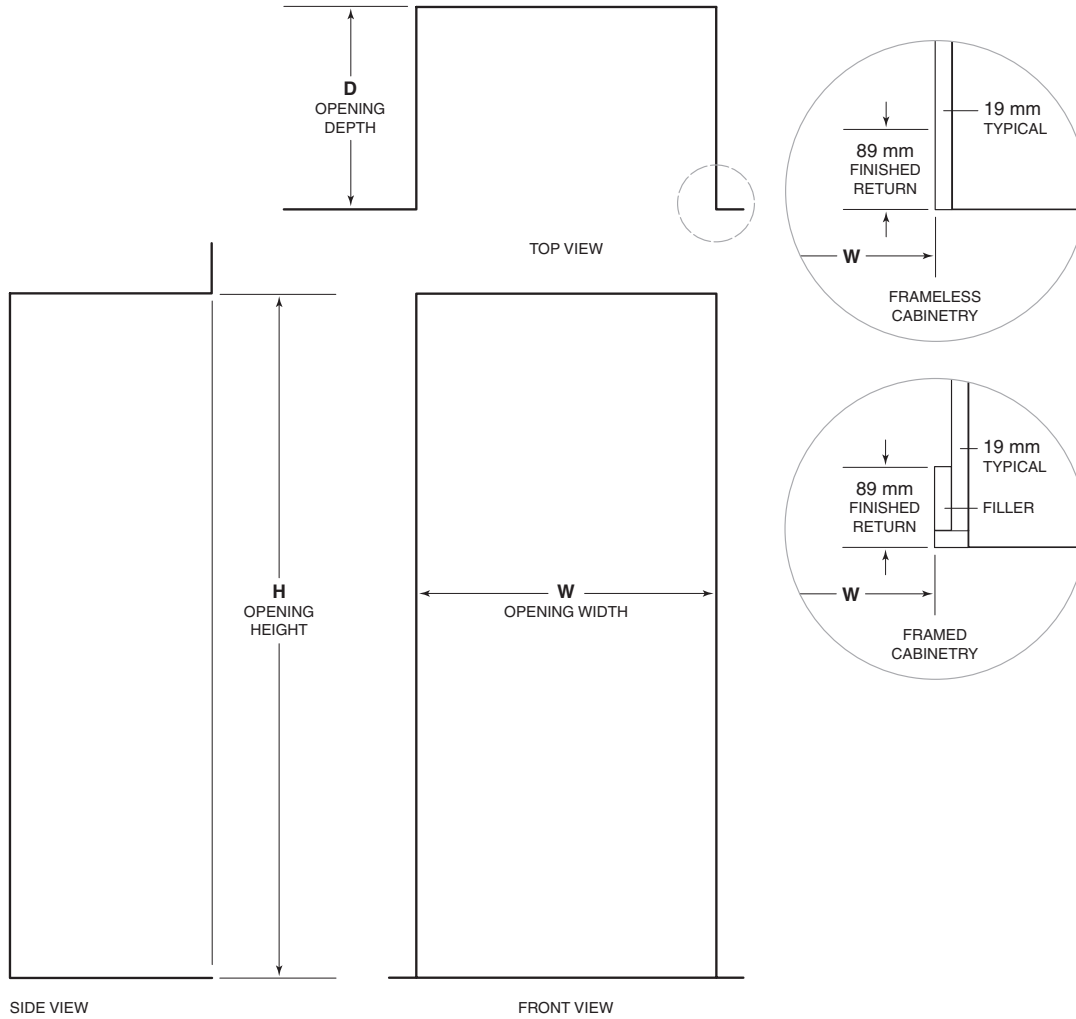
### 1219 mm MODEL



Model ICBPRO4850 / ICBPRO4850G

## Opening Dimensions

### STANDARD / FLUSH INSTALLATION



NOTE: 89 mm finished returns will be visible and should be finished to match cabinetry.

STANDARD OPENING	W	H	D
914 mm Model	902 mm	2127 mm	610 mm
1219 mm Model	1206 mm	2127 mm	610 mm

For standard installations, the face frame will extend 51 mm beyond cabinetry.

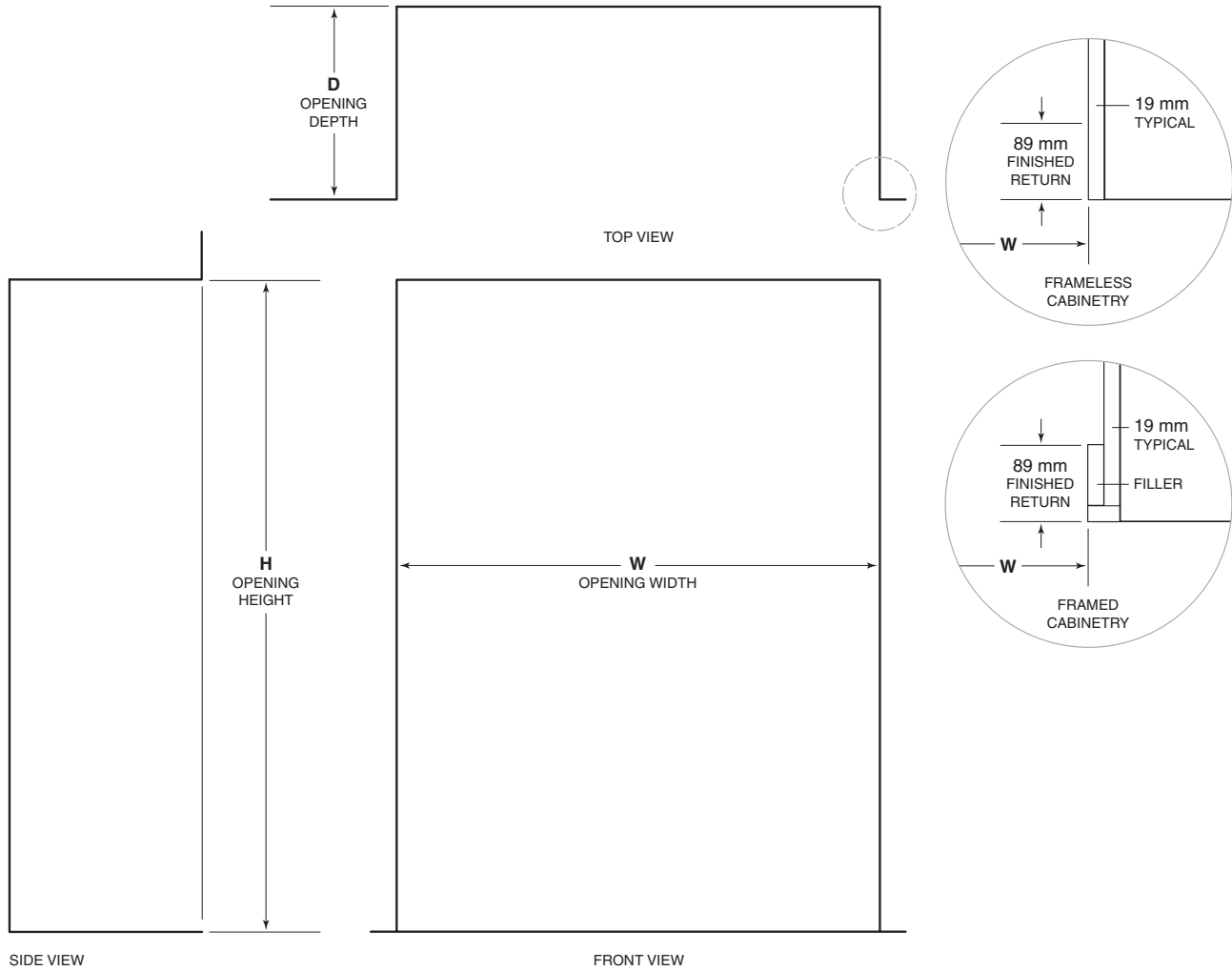
FLUSH OPENING	W	H	D
914 mm Model	914 mm	2137 mm	660 mm
1219 mm Model	1219 mm	2137 mm	660 mm

For flush installations, the face frame will be flush with surrounding cabinetry.



## Opening Dimensions

### DUAL STANDARD / FLUSH INSTALLATION



NOTE: 89 mm finished returns will be visible and should be finished to match cabinetry.

DUAL STANDARD OPENING	W	H	D
Two 914 mm Models	1816 mm	2127 mm	610 mm

For standard installations, the face frame will extend 51 mm beyond cabinetry. A dual installation kit is required for this installation.

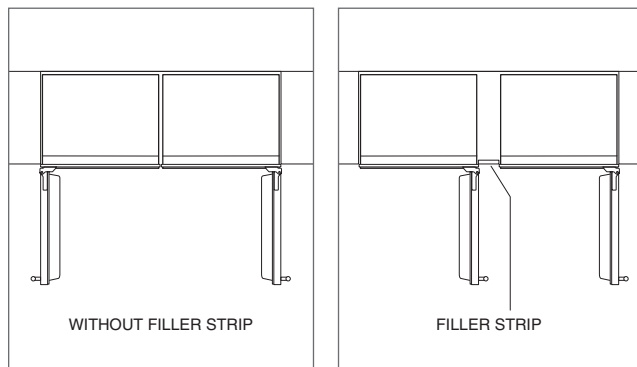
DUAL FLUSH OPENING	W	H	D
Two 914 mm Models	1829 mm	2137 mm	660 mm

For flush installations, the face frame will be flush with surrounding cabinetry. A dual installation kit is required for this installation.

## Dual Installation

If two units are installed side by side, a dual installation kit may be required. Installations without a custom filler strip require a dual installation kit. If a dual installation kit is not specified, a 51 mm filler strip is recommended between the units. Dual installations without a filler strip can only be accomplished using two units with opposite hinges. Refer to the illustrations below.

Dual installation kits are available through an authorized Sub-Zero dealer. For questions regarding the installation, contact your authorized Sub-Zero dealer.



Opposite hinges

Same side hinges

## Electrical Requirements

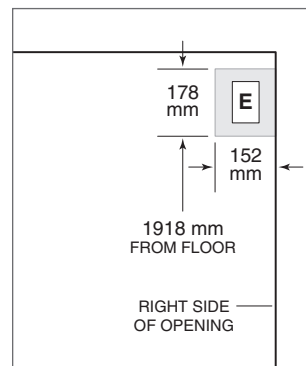
Installation must comply with all applicable electrical codes and be properly grounded (earthed).

International models from the factory designed without a transformer require a 220-240 V AC, 50/60 Hz electrical supply, fused at the correct rating for the unit. If required by local or national codes, the power cord can be easily replaced using the power inlet device.

Locate the electrical supply within the shaded area shown in the illustration below. A separate circuit servicing only this appliance is required. A ground fault circuit interrupter (GFCI) is not recommended and may cause interruption of operation.

### ELECTRICAL REQUIREMENTS

Power Supply	220-240 V AC, 50/60 Hz
Circuit Breaker	10 amp
Receptacle	grounding-type (earthed)



Electrical supply location

## Plumbing Requirements

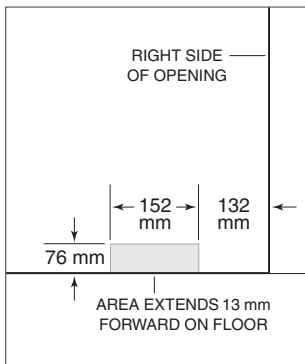
Installation must comply with all applicable plumbing codes.

Locate the water supply line within the shaded area shown in the illustration below. Connect the water supply line to the house supply with an easily accessible shut-off valve. Do not use self-piercing valves. The water supply line must not interfere with the installation of the anti-tip bracket.

A reverse osmosis system can be used provided there is constant water pressure of 2.4–8.3 bar supplied to the unit at all times. A copper line is not recommended for this application.

### PLUMBING REQUIREMENTS

Water Supply	6.4 mm OD copper line, braided stainless steel, or PEX tubing
Water Pressure	2.4–8.3 bar
Excess Water Line for Connection	.9 m



Water supply location

## Standard Handles

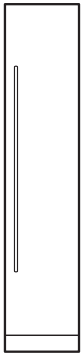
Optional stainless steel pro handles are available through an authorized Sub-Zero dealer. Refer to the chart below for standard handle lengths for PRO series models.

<b>HANDLE LENGTH</b>	<b>914 mm MODEL</b>	<b>1219 mm MODEL</b>
Door	703 mm	703 mm
Refrigerator Drawer	665 mm	506 mm
Freezer Drawer	665 mm	294 mm

## Designer Series Refrigeration

With custom front panels and hardware, Sub-Zero invented Designer series columns, tall, and drawer models that disappear into the decor. Designer series units fit flush with other cabinets, making Designer series refrigeration as practical and beautiful in the master suite, bar, or theatre room as in the kitchen. Model ICBID-24RO, approved for outdoor installations, is ideal for any outdoor kitchen.

### DESIGNER SERIES MODELS



ICBIC-18FI



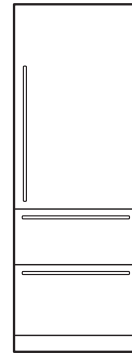
ICBIC-24R  
ICBIC-24FI  
ICBIC-24C



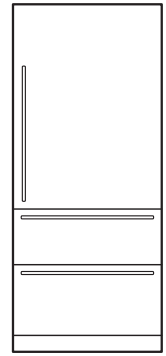
ICBIC-30RID  
ICBIC-30FI



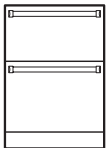
ICBIC-36RID



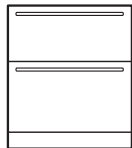
ICBIT-30RID  
ICBIT-30CIID



ICBIT-36CIID



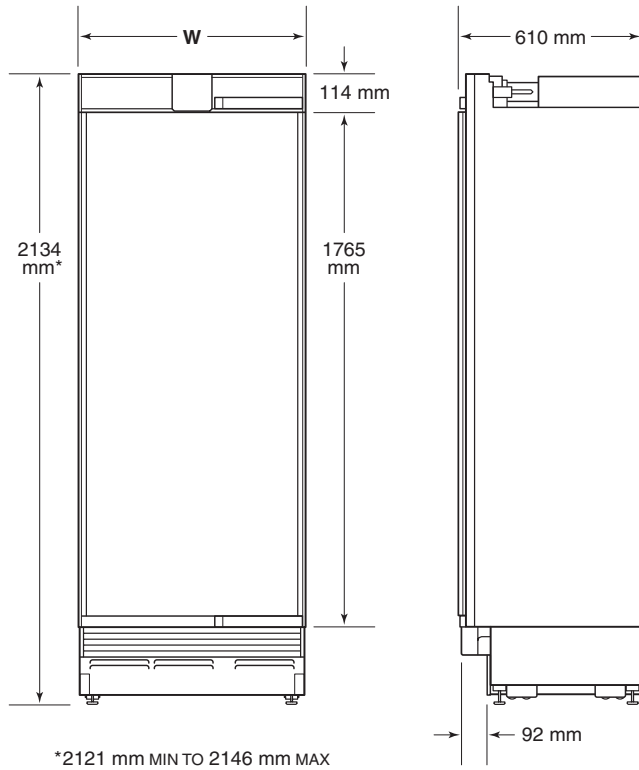
ICBID-24RO



ICBID-30R  
ICBID-30FI  
ICBID-30CI

## Overall Dimensions

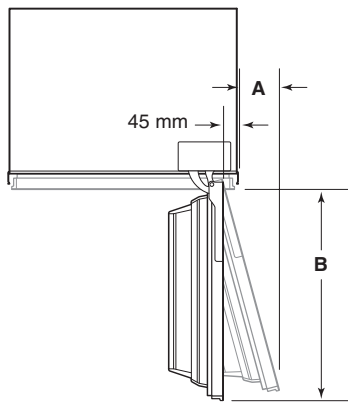
### COLUMN



### COLUMN

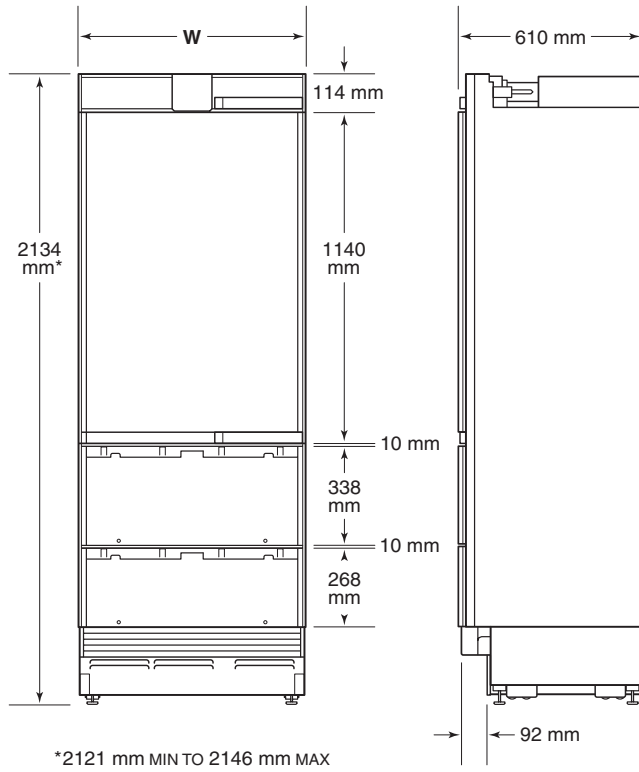
	W	A	B
ICBIC-18FI	457 mm	64 mm	419 mm
ICBIC-24R, ICBIC-24FI, ICBIC-24C	610 mm	102 mm	572 mm
ICBIC-30RID, ICBIC-30FI	762 mm	143 mm	724 mm
ICBIC-36RID	914 mm	184 mm	876 mm

**IMPORTANT NOTE:** Overall dimensions do not include panels or handles. Dimensions will vary with panel thickness.

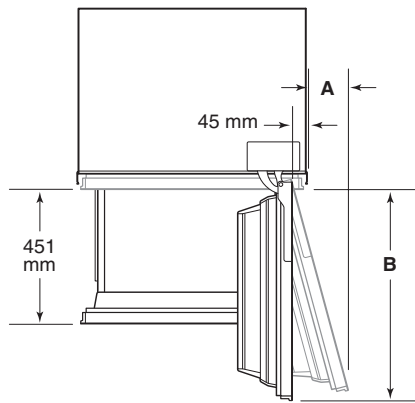
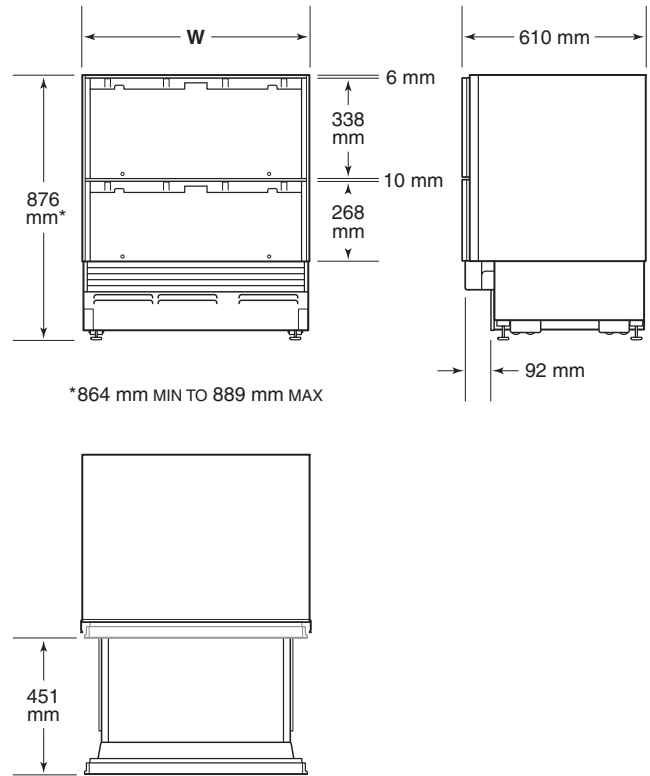


## Overall Dimensions

### TALL



### DRAWER



### DRAWER

### W

ICBID-24RO	610 mm
ICBID-30R, ICBID-30FI, ICBID-30CI	762 mm

### TALL

### W

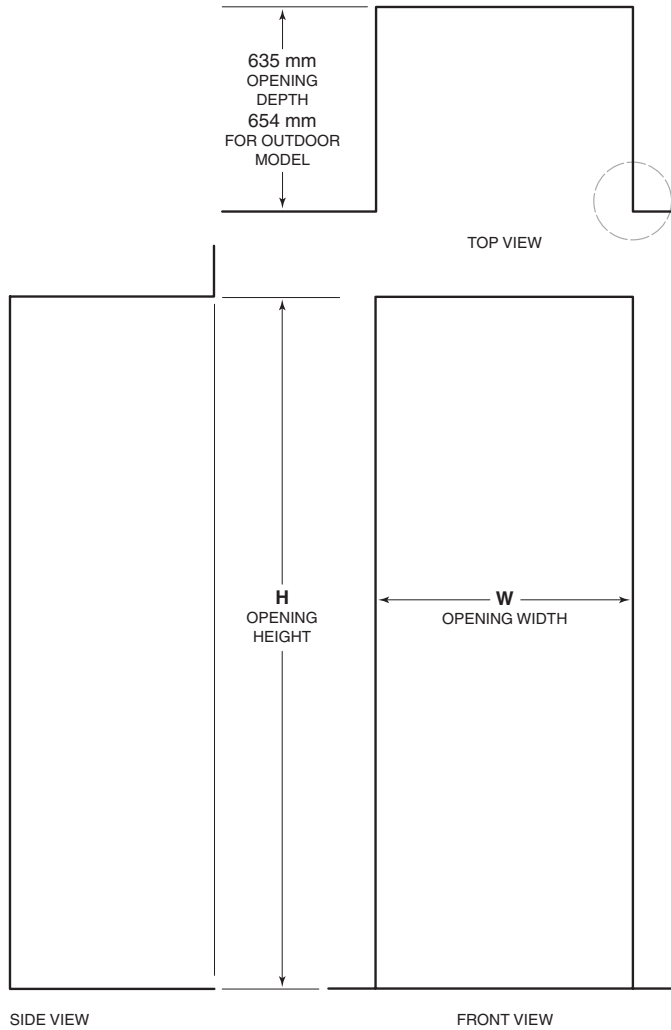
### A

### B

ICBIT-30RID, ICBIT-30CIID	762 mm	143 mm	724 mm
ICBIT-36CIID	914 mm	184 mm	876 mm

## Opening Dimensions

### DESIGNER SERIES MODELS



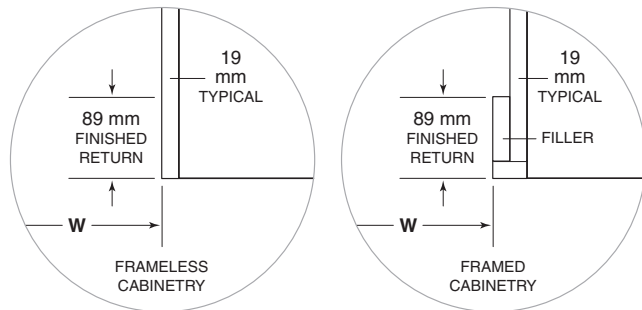
### OPENING DIMENSIONS

COLUMN	W*	H
457 mm Column	457 mm	2134 mm
610 mm Column	610 mm	2134 mm
762 mm Column	762 mm	2134 mm
914 mm Column	914 mm	2134 mm
TALL	W*	H
762 mm Tall	762 mm	2134 mm
914 mm Tall	914 mm	2134 mm
DRAWER	W*	H
610 mm Drawer	610 mm	876 mm
762 mm Drawer	762 mm	876 mm

\*For stainless steel side panel accessory, add 25 mm per panel to opening width.

The depth of each Designer series model is 610 mm. Allow for panel thickness when planning the finished opening depth. A minimum 89 mm finished return is required on all sides of the opening—114 mm for the outdoor model. Framed cabinets will require additional finished filler material behind the face frame for a proper installation. Refer to the illustration.

NOTE: 89 mm finished returns will be visible and should be finished to match cabinetry—114 mm for outdoor model.





## Dual Installation

When installing two units side by side in a dual installation, the opening width is the width of the two units added together. A dual installation kit will be required for this installation. If a dual installation kit is not specified, a minimum 51 mm filler strip is required between the units.

Dual installation kits are available through an authorized Sub-Zero dealer. For questions regarding the installation, contact your authorized Sub-Zero dealer.

## Electrical Requirements

Installation must comply with all applicable electrical codes and be properly grounded (earthed).

The electrical supply must be located within the shaded area shown in the illustration and chart below. A separate circuit servicing only this appliance is required.

**IMPORTANT NOTE:** For indoor models, a ground fault circuit interrupter (GFCI) is not recommended and may cause interruption of operation.

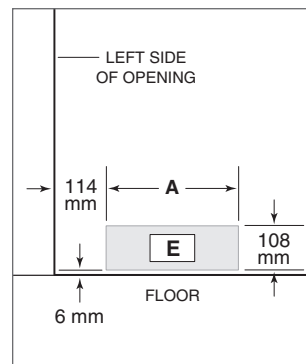
For the outdoor model, a ground fault circuit interrupter (GFCI) is required to reduce the risk of electrical shock.

### ELECTRICAL REQUIREMENTS

Power Supply	220-240 V AC, 50/60 Hz
Circuit Breaker	10 amp
Receptacle	grounding-type (earthed)

### ELECTRICAL SUPPLY LOCATION

	<b>A</b>
457 mm Model	152 mm
610 mm Model	241 mm
762 mm Model	318 mm
914 mm Model	394 mm



Electrical supply location

## Plumbing Requirements

Installation must comply with all applicable plumbing codes.

The water supply line should be located within the shaded area shown in the illustration below. The water supply line should be connected to the house supply with an easily accessible shut-off valve. Do not use self-piercing valves. The water supply line must not interfere with installation of the anti-tip bracket.

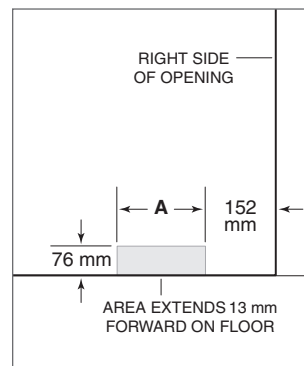
A reverse osmosis system can be used provided there is constant water pressure of 2.4–8.3 bar supplied to the unit at all times. A copper line is not recommended for this application.

### PLUMBING REQUIREMENTS

Water Supply Line	6.4 mm OD copper line, braided stainless steel, or PEX tubing
Water Pressure	2.4–8.3 bar
Excess Water Line for Connection	.9 m

### WATER SUPPLY LOCATION

	<b>A</b>
457 mm Model	76 mm
610 mm Model	140 mm
762 mm Model	152 mm
914 mm Model	229 mm



Water supply location

## Stainless Steel Panels

The outdoor model requires the use of Sub-Zero stainless steel outdoor accessory panels. Stainless steel panels are available through an authorized Sub-Zero dealer.

The thickness of the indoor stainless steel panels is 19 mm and outdoor stainless steel panels is 38 mm. The depth of each Designer series model is 610 mm. Allow for panel thickness when planning the finished opening depth.

3 mm reveals are typical, however, the reveal between the upper and lower outdoor stainless steel panels is 6 mm to accommodate the lock.

## Custom Panels

For Designer series models, custom door panels and handle hardware must be provided. Refer to the panel requirements chart and typical panel dimensions.

The thickness of the custom panel can vary. A minimum 16 mm thick panel is required, but the thickness can be increased provided it does not exceed the weight limit. The depth of each Designer series model is 610 mm. Allow for panel thickness when planning the finished opening depth. Refer to the full-scale template on page 31.

### ⚠ CAUTION

**As reveals between cabinetry and the unit decrease, severe finger pinching can occur while the door is closing.**

Finish all sides of the custom panels. They will be visible when the door/drawer is open.

D-style handles are recommended. Door handles must be located near the edge of the panel opposite the hinge and should be centered top to bottom. Drawer handles must be located near the top edge of each panel. Stainless steel tubular and pro handles are available through an authorized Sub-Zero dealer.

### PANEL REQUIREMENTS

COLUMN	MAX WEIGHT
457 mm Model	20 kg
610 mm Model	27 kg
762 mm Model	34 kg
914 mm Model	34 kg

TALL (DOOR)	MAX WEIGHT
762 mm Model	22 kg
914 mm Model	27 kg

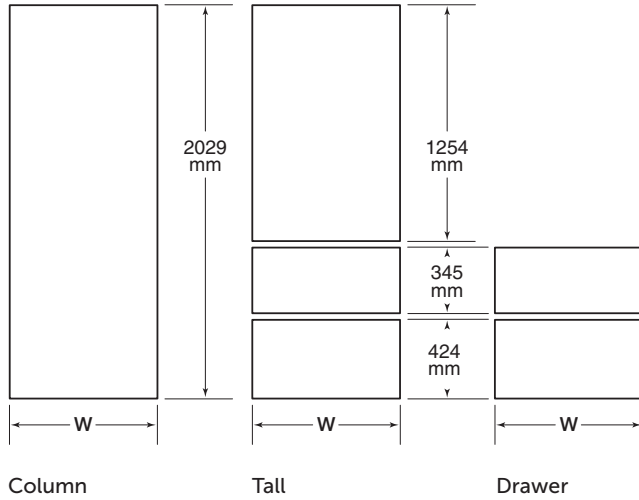
DRAWER	MAX WEIGHT
Drawer Panel	7 kg

PANEL THICKNESS	MINIMUM
All Panels	16 mm

## Custom Panels

### TYPICAL PANEL DIMENSIONS



Typical panel dimensions are based on a 2134 mm finished height for column and tall models and 876 mm for drawer models, with a 102 mm toe kick and 3 mm reveals. Panel dimensions must be adjusted accordingly for all other installations. Refer to the illustration for panel heights and the chart below for panel widths.

PANEL WIDTH	W
457 mm Model	451 mm
610 mm Model	603 mm
762 mm Model	756 mm
914 mm Model	908 mm

### DUAL INSTALLATION

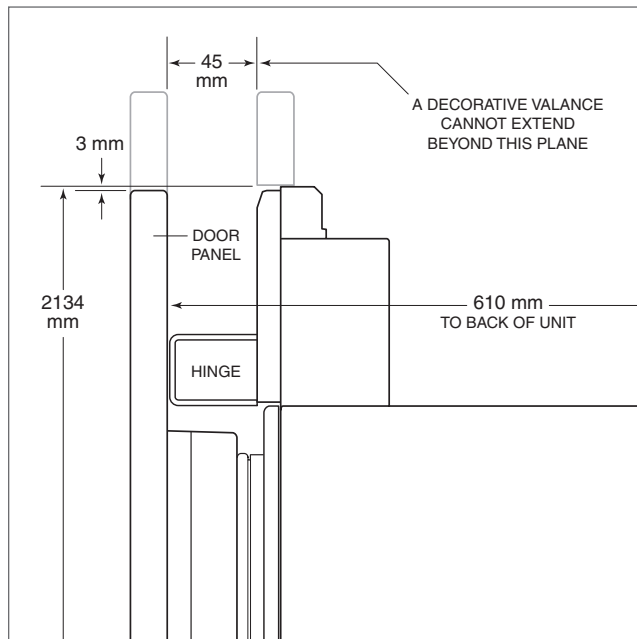
For dual installations, refer to the illustration for panel heights and the chart below for panel widths.

PANEL WIDTH—DUAL INSTALLATION	W
457 mm Model	452 mm
610 mm Model	605 mm
762 mm Model	757 mm
914 mm Model	910 mm

## Custom Panels

### DOOR PANEL HEIGHT

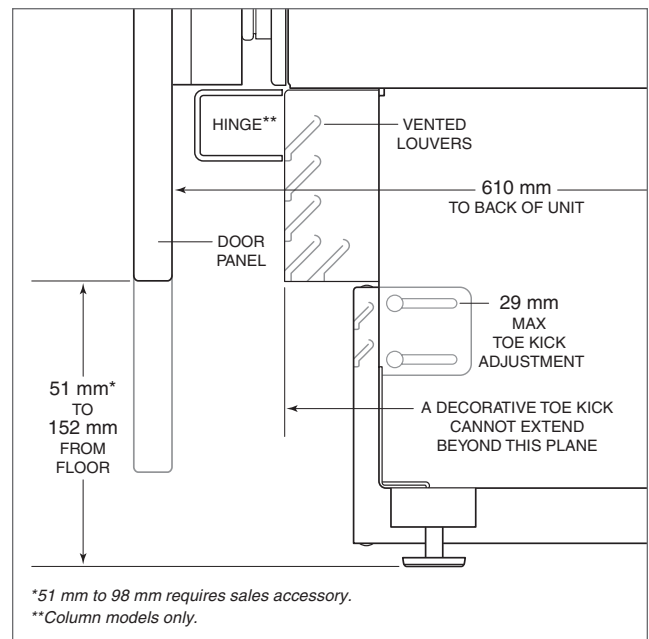
The height of the custom door panel can extend beyond the typical panel height, provided it does not exceed the weight limit. Refer to the illustration below.



Upper valance—column and tall (side view)

### TOE KICK CLEARANCE

**Indoor Models Only:** The height of the toe kick area can extend beyond the typical toe kick height, provided it does not exceed the dimensions in the illustration below. Toe kick heights from 51 mm to 98 mm require a reduced toe kick accessory available through an authorized Sub-Zero dealer.



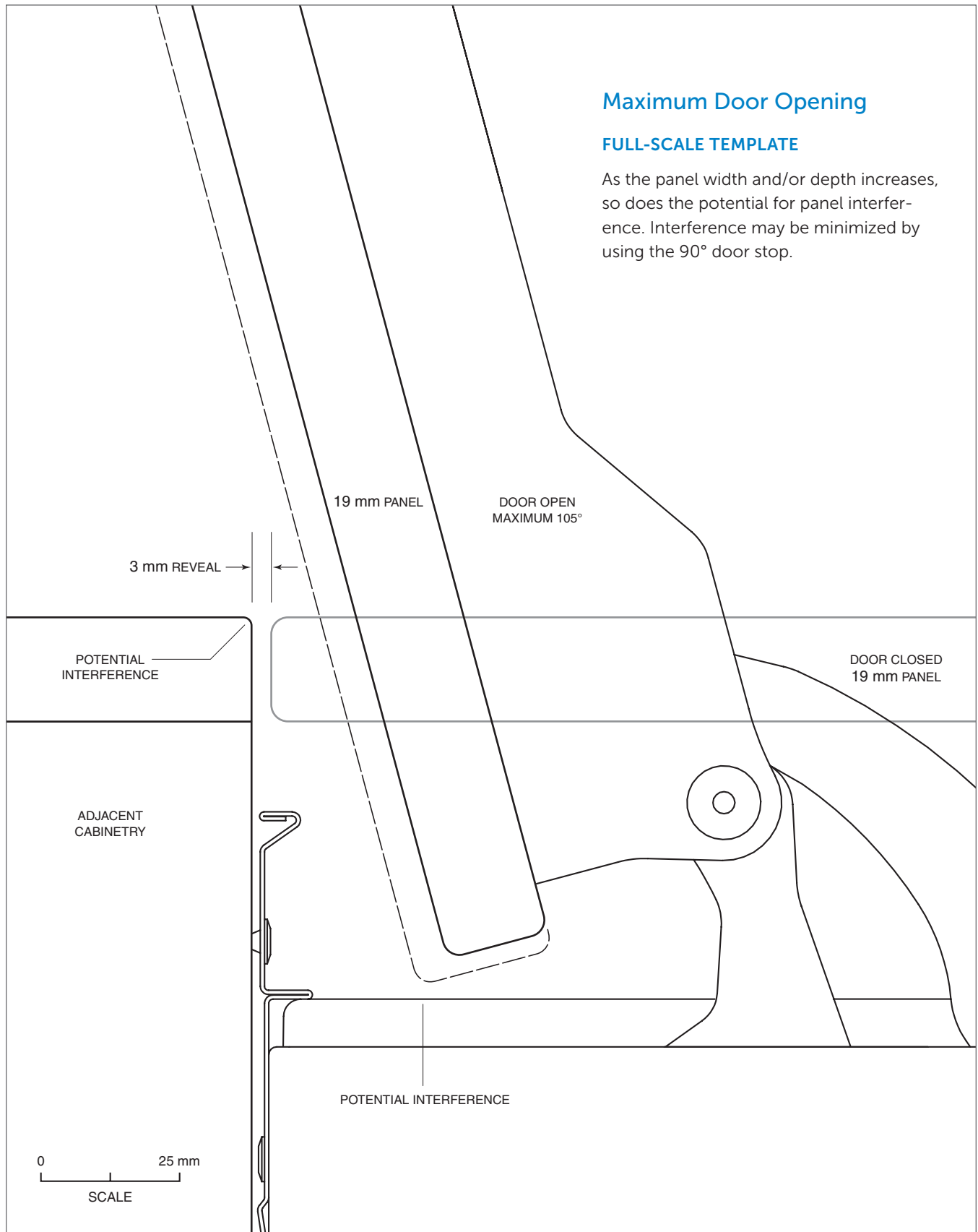
Toe kick (side view)

## Standard Handles

Optional stainless steel tubular and pro handles are available through an authorized Sub-Zero dealer.

Refer to the chart below for standard handle lengths for Designer series models.

HANDLE LENGTH	TUBULAR	PRO
Column Door	1273 mm	1229 mm
Tall Door	845 mm	800 mm
610 mm Drawer	540 mm	495 mm
762 mm Drawer	692 mm	648 mm
914 mm Drawer	845 mm	800 mm



Maximum door opening (top view)

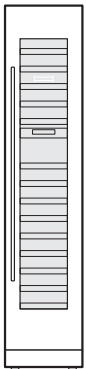
## Wine Storage

Wine finds a well-deserved place of honor in a Sub-Zero wine storage unit. Every detail is designed to ensure better wine preservation. Cherrywood-faced racks, soft lighting, custom cabinetry if desired—Sub-Zero helps make a wine collection an element of beauty in the home.

### WINE STORAGE MODELS



ICBDEU2450W



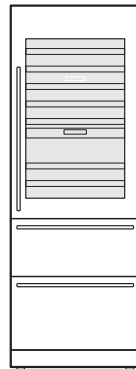
ICBIW-18



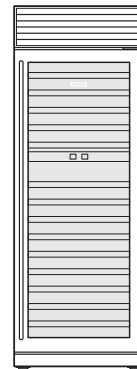
ICBIW-24



ICBIW-30



ICBIW-30R

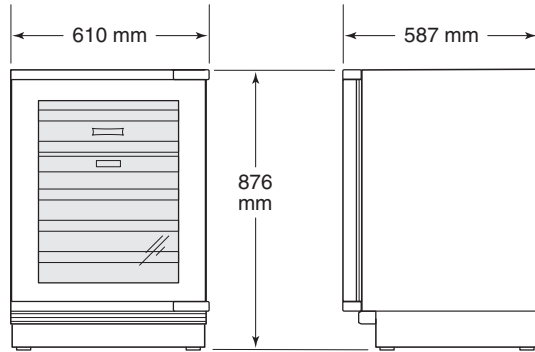


ICBBW-30

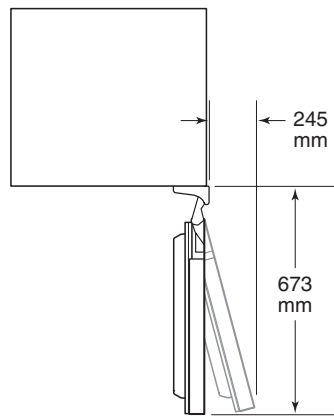


## Overall Dimensions

### MODEL ICBDEU2450W



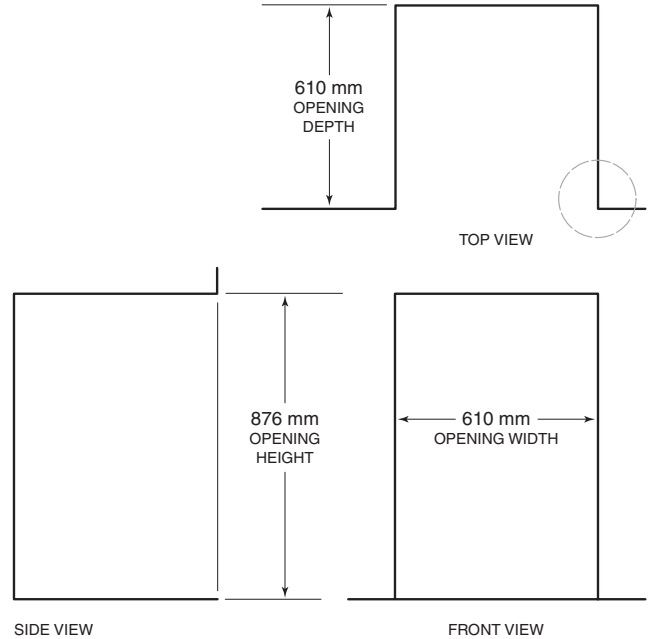
HEIGHT DIMENSIONS ± 13 mm



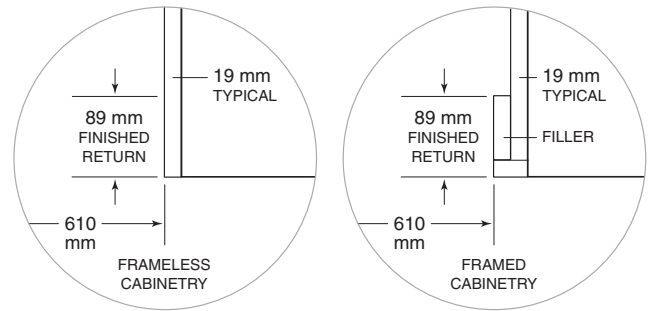
**IMPORTANT NOTE:** Overall dimensions do not include panels or handles. Dimensions will vary with panel thickness.

## Opening Dimensions

### MODEL ICBDEU2450W



*NOTE: 89 mm finished returns will be visible and should be finished to match cabinetry.*



### DUAL OPENING WIDTH

**W**

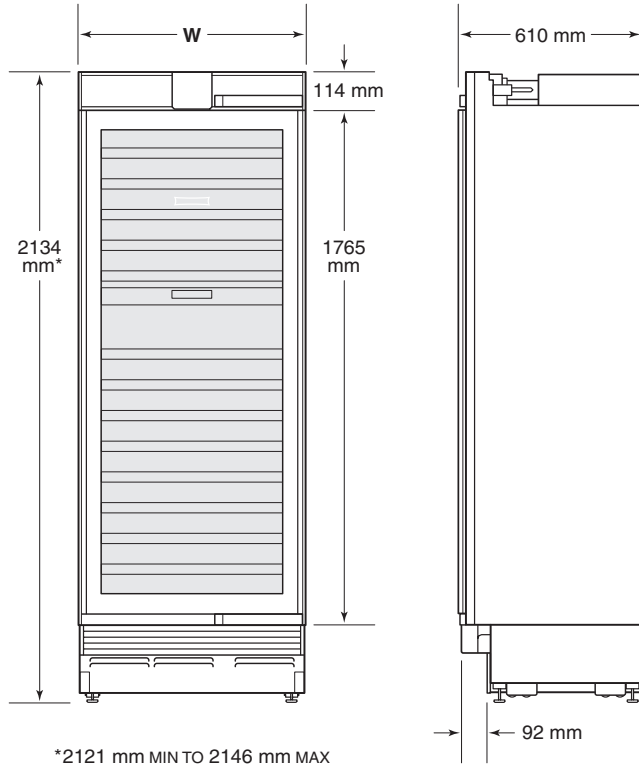
Two 610 mm Models

1222 mm

*Dual installation kit required.*

## Overall Dimensions

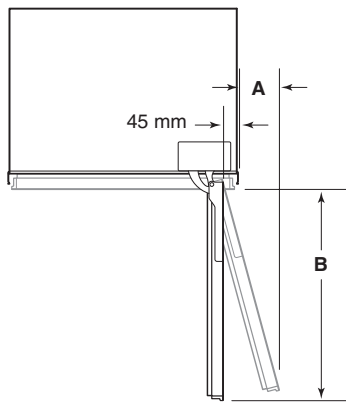
### COLUMN



### COLUMN

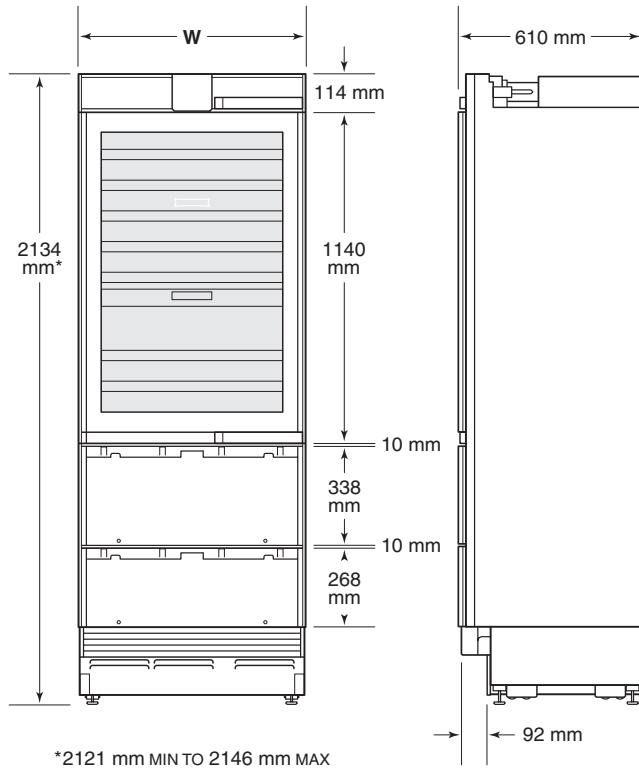
	W	A	B
ICBIW-18	457 mm	64 mm	419 mm
ICBIW-24	610 mm	102 mm	572 mm
ICBIW-30	762 mm	143 mm	724 mm

**IMPORTANT NOTE:** Overall dimensions do not include panels or handles. Dimensions will vary with panel thickness.



## Overall Dimensions

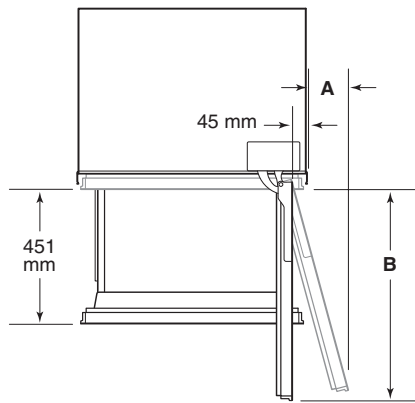
### TALL



### TALL

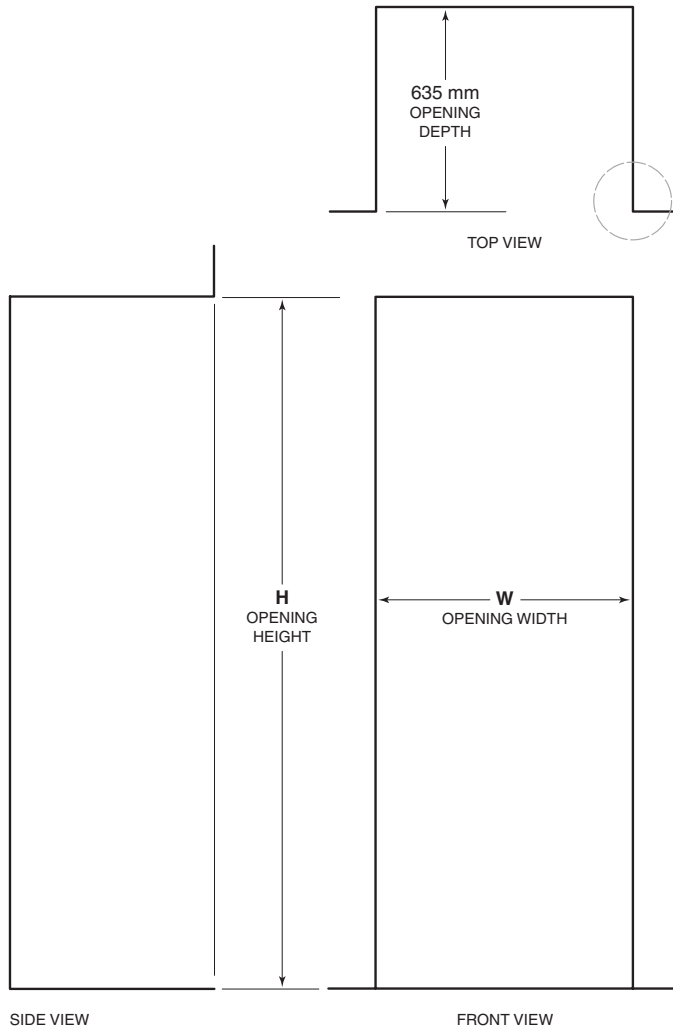
	W	A	B
ICBIW-30R	762 mm	143 mm	724 mm

**IMPORTANT NOTE:** Overall dimensions do not include panels or handles. Dimensions will vary with panel thickness.

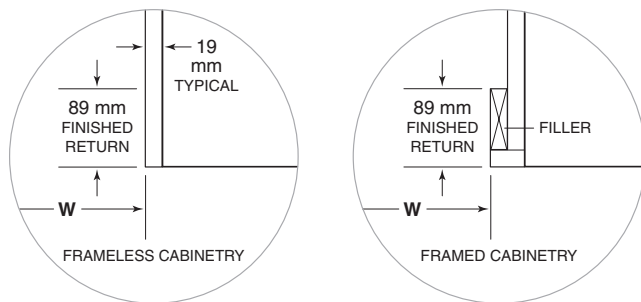


## Opening Dimensions

### DESIGNER SERIES WINE STORAGE



NOTE: 89 mm finished returns will be visible and should be finished to match cabinetry.



### OPENING DIMENSIONS

COLUMN	W*	H
ICBIW-18	457 mm	2134 mm
ICBIW-24	610 mm	2134 mm
ICBIW-30	762 mm	2134 mm
TALL	W*	H
ICBIW-30R	762 mm	2134 mm

\*For stainless steel side panel accessory, add 25 mm per panel to opening width.

The depth of each Designer series (ICBIW) model is 610 mm. Allow for panel thickness when planning the finished opening depth. A minimum 89 mm finished return is required on all sides of the opening. Framed cabinets will require additional finished filler material behind the face frame for a proper installation. Refer to the illustration.

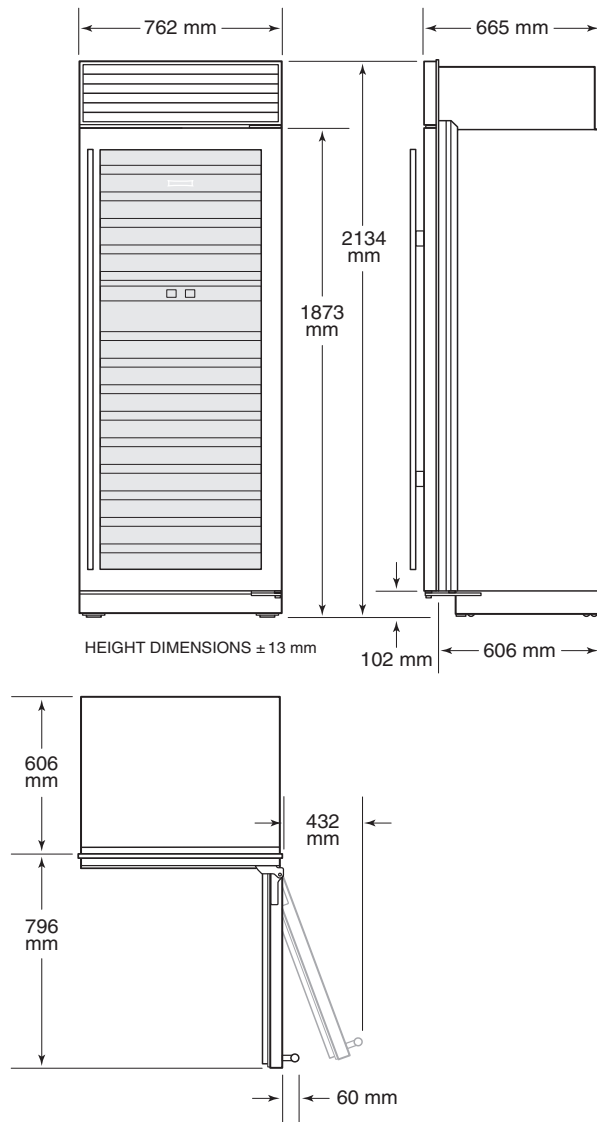
### DUAL INSTALLATION

The unit can be installed next to an Designer series refrigeration model or another Designer series wine storage model in a dual installation. When installing two units side by side, the opening width is the width of the two units added together. A dual installation kit will be required for this installation. If a dual installation kit is not specified, a minimum 51 mm filler strip is required between the units.

Dual installation kits are available through an authorized Sub-Zero dealer. For questions regarding the installation, contact your authorized Sub-Zero dealer.

## Overall Dimensions

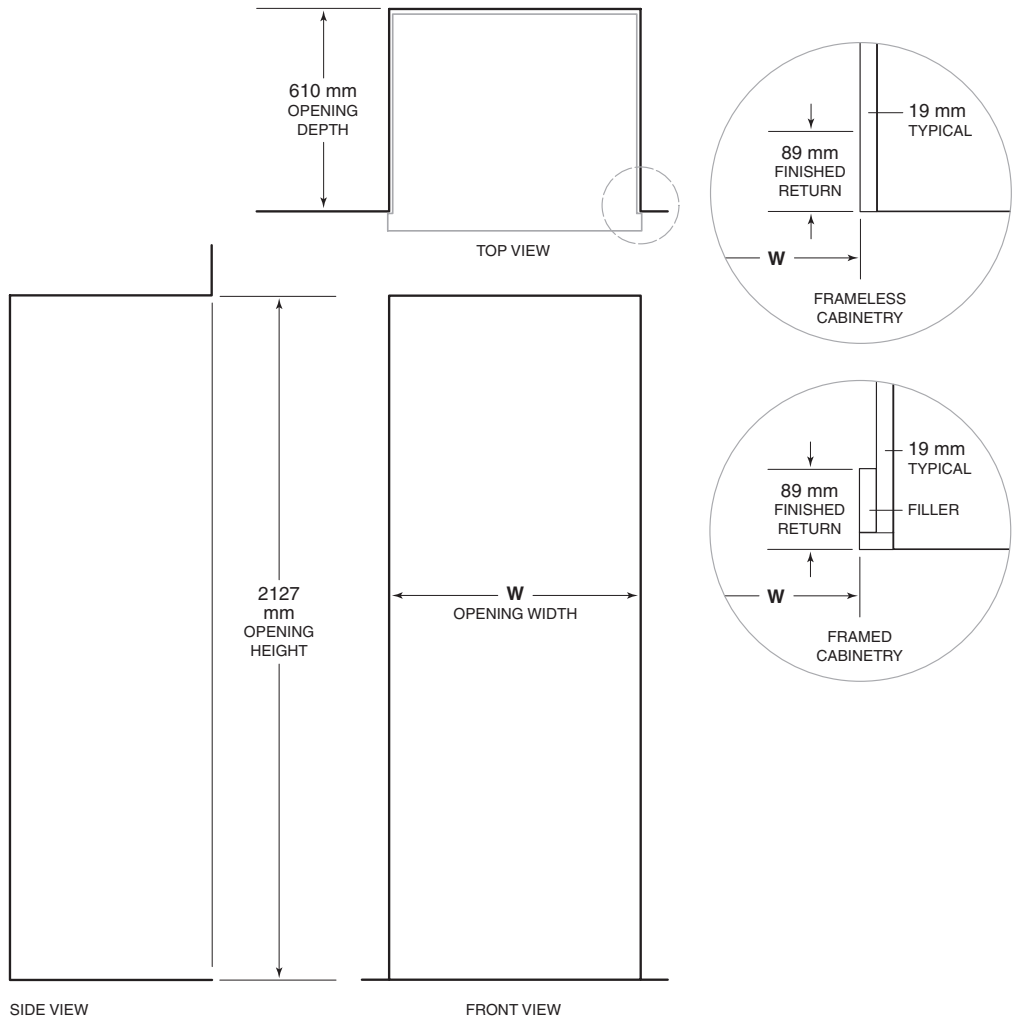
### MODEL ICBBW-30



Dimensions are based on the stainless steel model. For flush inset applications, add 13 mm to the door clearance dimensions.

## Opening Dimensions

### ICBBW-30 STANDARD INSTALLATION



NOTE: 89 mm finished returns will be visible and should be finished to match cabinetry. Shaded line represents profile of unit.

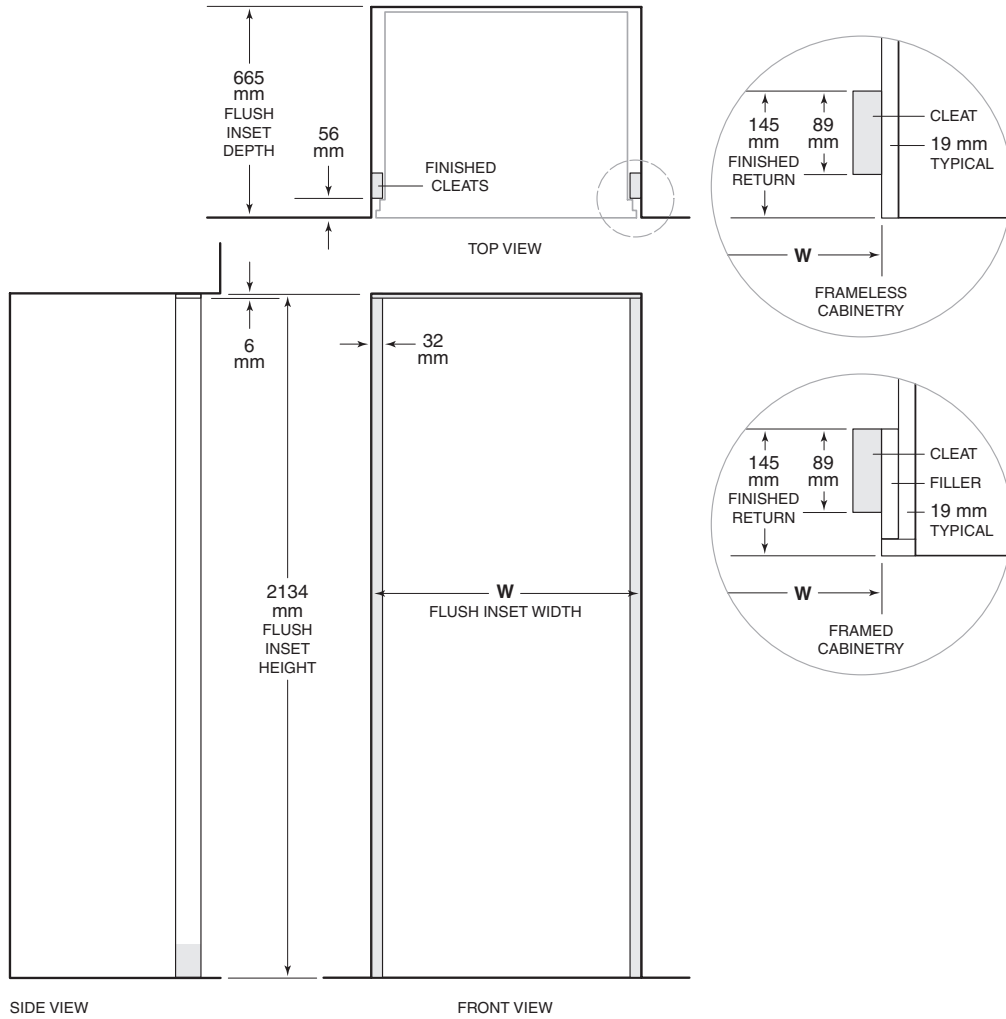
OPENING WIDTH	W
ICBBW-30	749 mm

If a 2108 mm grille height is specified, the opening height must be decreased by 22 mm. If a 2235 mm grille height is specified, the opening height must be increased by 102 mm.

If two units are installed side by side, refer to page 40 for dual standard installations.

## Opening Dimensions

### ICBBW-30 FLUSH INSET INSTALLATION



NOTE: 89 mm finished returns and shaded areas will be visible and should be finished to match cabinetry. Shaded line represents profile of unit with 19 mm panel.

FLUSH INSET WIDTH	W
ICBBW-30	813 mm

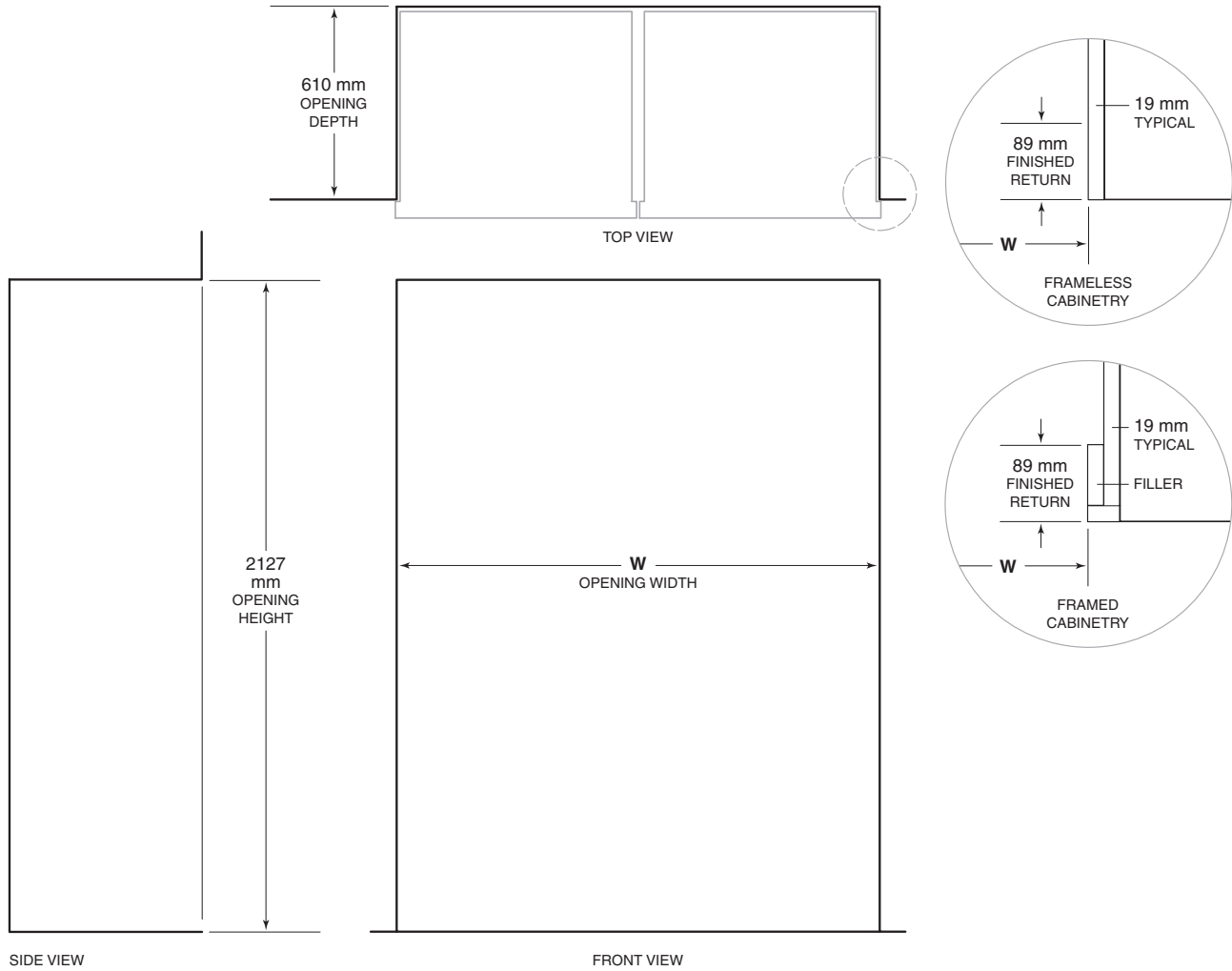
Dimensions assume a 19 mm panel thickness.

If a 2108 mm grille height is specified, the flush inset height must be decreased by 22 mm. If a 2235 mm grille height is specified, the flush inset height must be increased by 102 mm.

If two units are installed side by side, refer to page 41 for dual flush inset installations.

## Opening Dimensions

### ICBBW-30 DUAL STANDARD INSTALLATION



NOTE: 89 mm finished returns will be visible and should be finished to match cabinetry.  
Shaded line represents profile of unit.

#### OPENING WIDTH **W**

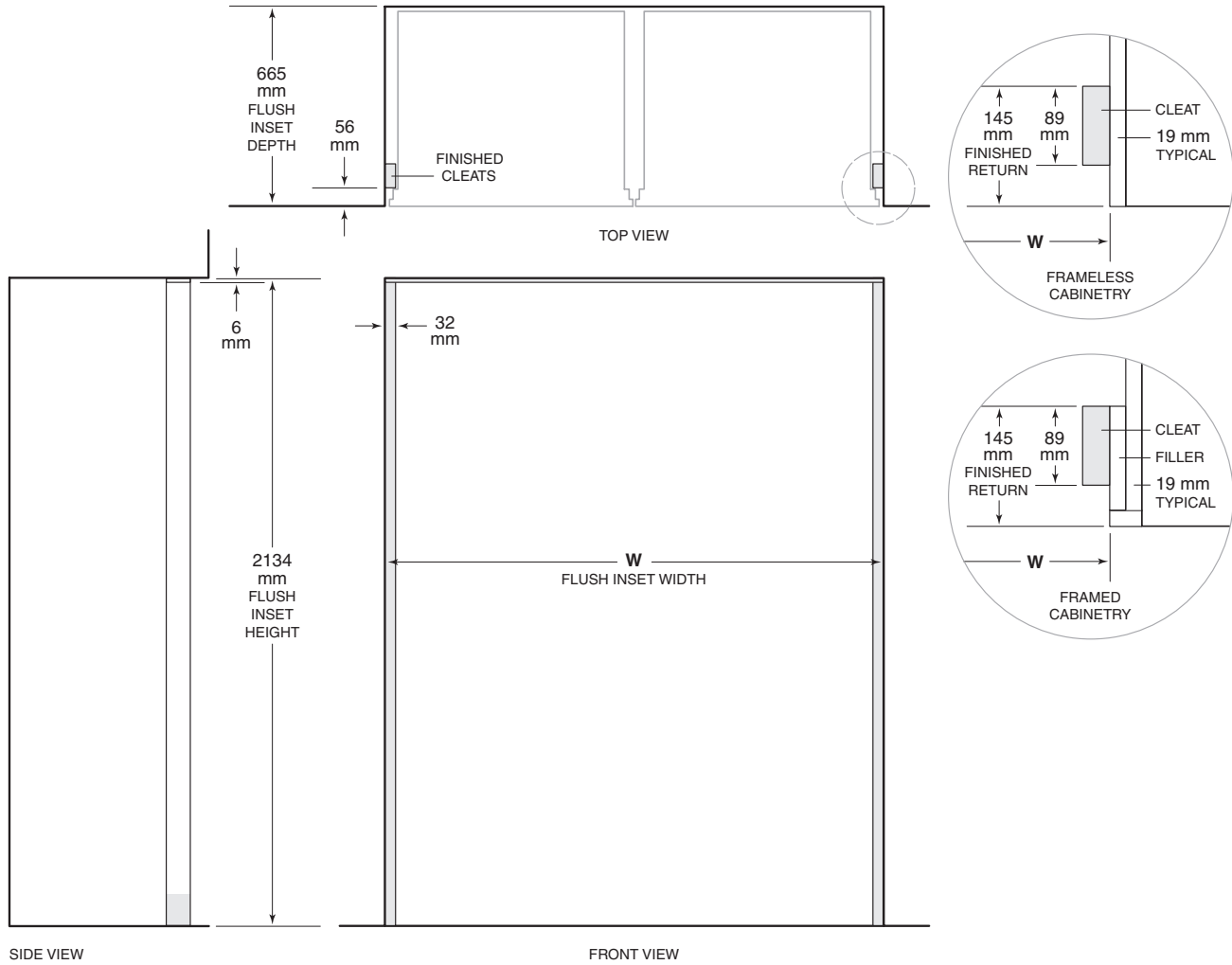
ICBBW-30 and 762 mm Classic series model	1518 mm
ICBBW-30 and 914 mm Classic series model	1670 mm

A dual installation kit will be required for this installation.



## Opening Dimensions

### ICBBW-30 DUAL FLUSH INSET INSTALLATION



NOTE: 89 mm finished returns and shaded areas will be visible and should be finished to match cabinetry. Shaded line represents profile of unit with 19 mm panel.

#### FLUSH INSET WIDTH

**W**

ICBBW-30 and 762 mm Classic series model	1581 mm
ICBBW-30 and 914 mm Classic series model	1734 mm

Dimensions assume a 19 mm panel thickness. A dual installation kit will be required for this installation.

## Electrical Requirements

Installation must comply with all applicable electrical codes and be properly grounded (earthed).

The electrical supply must be located within the shaded area shown in the illustration for your specific model. For Designer series (ICBIW) models, also refer to the chart. A separate circuit servicing only this appliance is required. A ground fault circuit interrupter (GFCI) is not recommended and may cause interruption of operation.

If the unit will be connected to a home security system, allow 914 mm of excess wiring for proper connection.

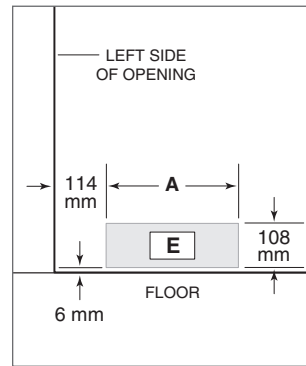
**IMPORTANT NOTE:** For Undercounter and Designer series models, the electrical outlet must be positioned with the grounding prong to the right of the thinner blades.

### ELECTRICAL REQUIREMENTS

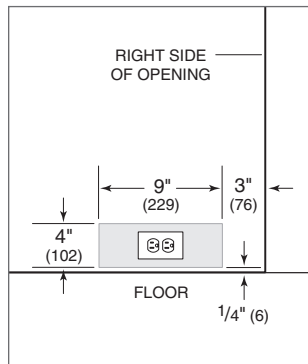
Power Supply	220-240 V AC, 50/60 Hz
Circuit Breaker	10 amp
Receptacle	grounding-type (earthed)

### ELECTRICAL SUPPLY LOCATION

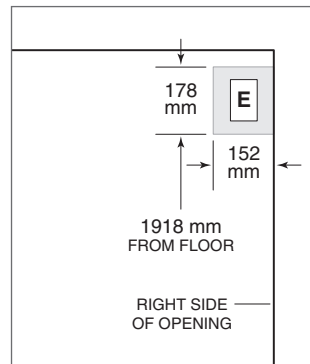
	A
ICBIW-18	152 mm
ICBIW-24	241 mm
ICBIW-30, ICBIW 30R	318 mm



Designer series (ICBIW) models



Model ICBDEU2450W



Model ICBBW-30

## Custom Panels

For overlay, Designer series, and flush inset applications, custom door panels must be provided. Handle hardware must also be provided for overlay, Designer series, and flush inset applications. Refer to the panel requirements and custom panel dimensions charts for your specific model and design application.

Do not install a solid panel on a glass door unit. A solid door is available as a sales accessory (except model ICBBW-30) and must be installed if a solid panel is specified. Service may be required to install the door. Contact an authorized Sub-Zero dealer for more information. Dimensions are the same for glass door and solid door panels.

Finish all sides of the custom panels. They may be visible when the door is open or through the window of a glass door model.

## Custom Panel—ICBDEU2450W

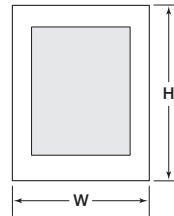
For model ICBDEU2450W, the custom door panel will attach directly to the door frame with screws through a series of pre-drilled holes.

Refer to the charts below for panel requirements and dimensions.

### PANEL REQUIREMENTS

Panel Weight	10 kg max
Panel Thickness	16 mm min – 19 mm max

### TYPICAL PANEL DIMENSIONS



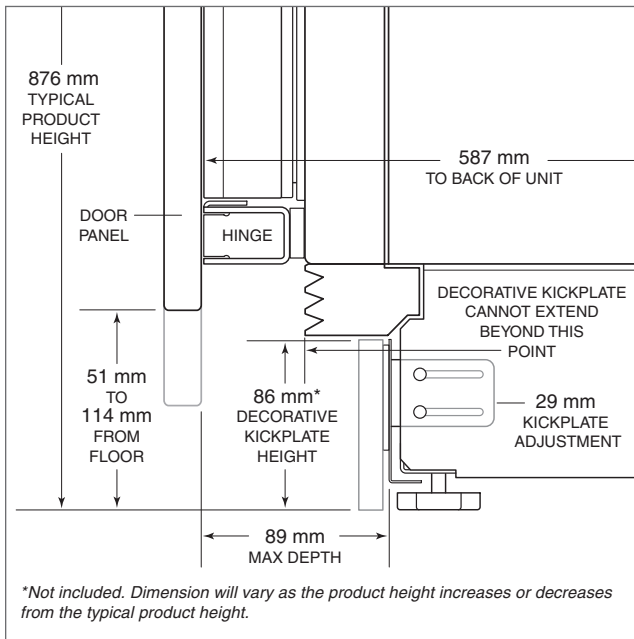
### PANEL DIMENSIONS

MODEL	W	H
ICBDEU2450W	603 mm	772 mm
STILES / RAILS		MIN
Stiles		83 mm
Top Rail		89 mm
Bottom Rail		114 mm

## Custom Panel—DEU2450W

### TOE KICK CLEARANCE

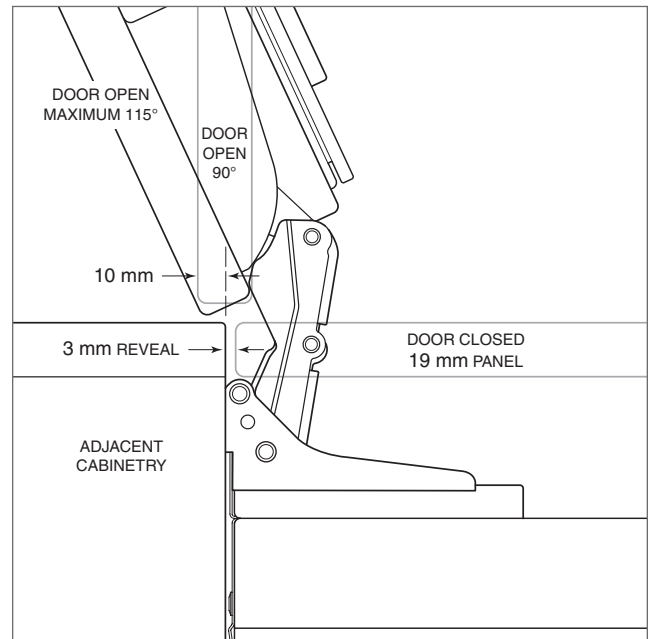
The height of the toe kick area can extend beyond the typical toe kick height, provided it does not exceed the dimensions in the illustration below.



Toe kick clearance (side view)

### MAXIMUM DOOR OPENING

As the panel width and/or depth increases, so does the potential for panel interference. Interference may be minimized by using the 90° door stop.



Maximum door opening (top view)

## Custom Panels—ICBIW Models

For Designer (ICBIW) models, custom door panels and handle hardware must be provided. Refer to the panel requirements chart and typical panel dimensions.

Do not install a solid panel on the glass door unit. A solid door is available as a sales accessory through an authorized Sub-Zero dealer.

The thickness of the custom panel can vary. A minimum 16 mm thick panel is required, but the thickness can be increased provided it does not exceed the weight limit. The depth of each Designer model is 610 mm. Allow for panel thickness when planning the finished opening depth. Refer to the full-scale template on page 31.

### ⚠ CAUTION

**As reveals between cabinetry and the unit decrease, severe finger pinching can occur while the door is closing.**

Finish all sides of the custom panels. They will be visible when the door/drawer is open.

D-style handles are recommended. Door handles must be located near the edge of the panel opposite the hinge and should be centered top to bottom. Drawer handles must be located near the top edge of each panel. Stainless steel tubular and pro handles are available through an authorized Sub-Zero dealer.

### PANEL REQUIREMENTS

STILES / RAILS	WIDTH
Stiles	83 mm
Top Rail	197 mm
Bottom Rail	241 mm
Bottom Rail (ICBIW-30R)	114 mm

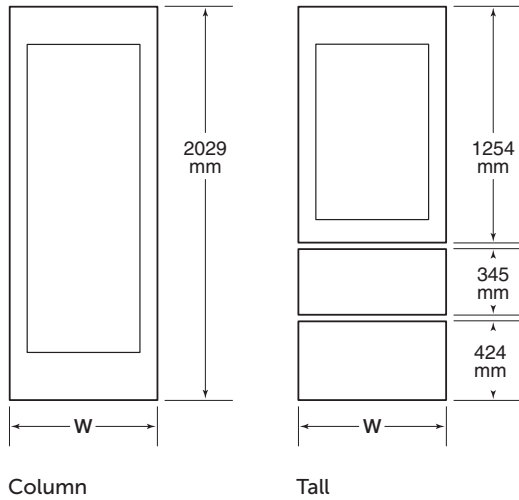
PANEL WEIGHT	MAX
Door Frame	16 kg
Door Frame (ICBIW-30R)	11 kg
Drawer Panel	7 kg

PANEL THICKNESS	MIN
All Panels	16 mm

## Custom Panels—ICBIW Models

### TYPICAL PANEL DIMENSIONS



Typical panel dimensions are based on a 2134 mm finished height, 102 mm toe kick, and 3 mm reveals. Panel dimensions must be adjusted accordingly for all other installations. Refer to the illustration for panel heights and the chart below for panel widths.

PANEL WIDTH	W
ICBIW-18	451 mm
ICBIW-24	603 mm
ICBIW-30, ICBIW-30R	756 mm

### DUAL INSTALLATION

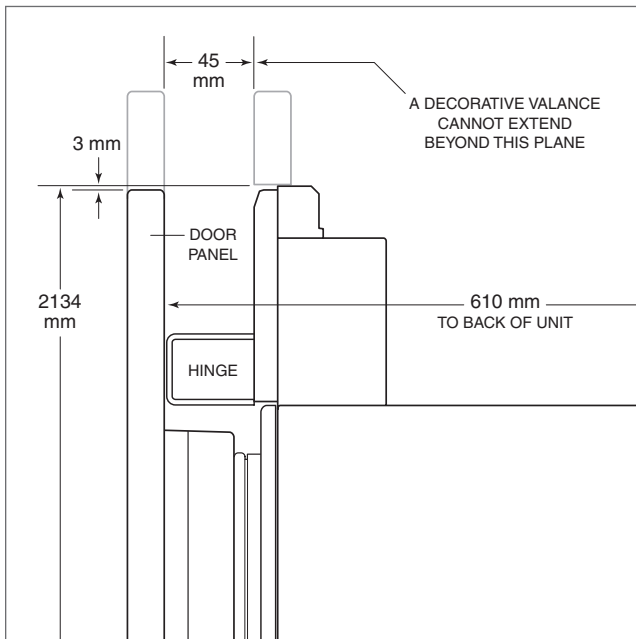
For dual installations, refer to the illustration for panel heights and the chart below for panel widths.

PANEL WIDTH—DUAL INSTALLATION	W
ICBIW-18	452 mm
ICBIW-24	605 mm
ICBIW-30, ICBIW-30R	757 mm

## Custom Panels—ICBIW Models

### DOOR PANEL HEIGHT

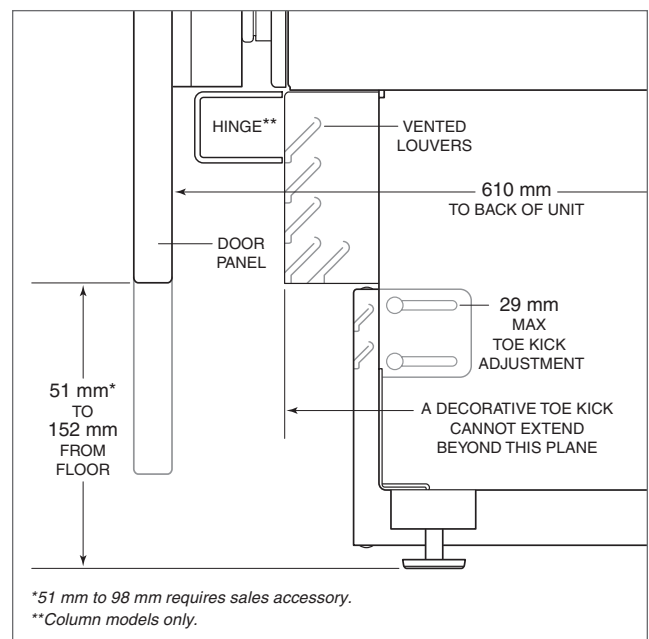
The height of the custom door panel can extend beyond the typical panel height, provided it does not exceed the weight limit. Refer to the illustration below.



Upper valance—column and tall (side view)

### TOE KICK CLEARANCE

The height of the toe kick area can extend beyond the typical toe kick height, provided it does not exceed the dimensions in the illustration below. Toe kick heights from 51 mm to 98 mm require a reduced toe kick accessory available through an authorized Sub-Zero dealer.



Toe kick (side view)

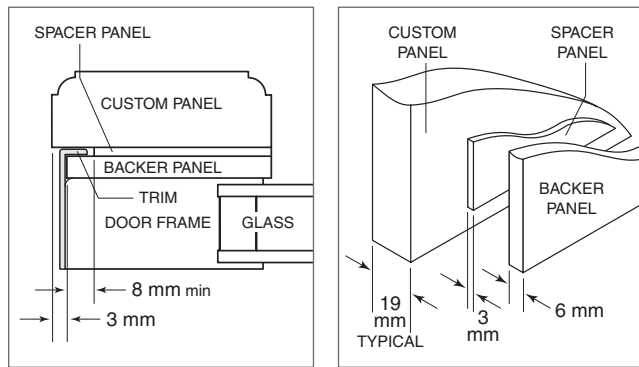
## Custom Panels—ICBBW-30

### OVERLAY PANELS

Overlay panels are typically created by combining a 19 mm custom panel, a 3 mm spacer panel, and a 6 mm backer panel. Refer to the illustrations below.

#### PANEL REQUIREMENTS

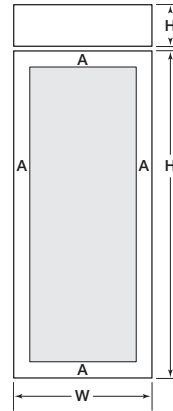
PANEL WEIGHT	MAX
Door	34 kg
Grille	6 kg
PANEL THICKNESS	MIN
Overlay	16 mm



Panel assembly cross section (overlay)

Panel assembly rear view

### OVERLAY PANEL DIMENSIONS



ICBBW-30

#### OVERLAY PANELS

DOOR	W	H
Overlay Panel	762 mm	1772 mm
Spacer Panel	740 mm	1751 mm
Backer Panel	756 mm	1767 mm
STILES / RAILS	A	
Minimum	83 mm	
GRILLE	W	H
Overlay Panel	762 mm	235 mm*
Spacer Panel	740 mm	211 mm
Backer Panel	756 mm	227 mm

\*Panel height may be increased by 11 mm to hide the upper main frame.

Grille panel dimensions are for a standard 2134 mm overall unit height. For a 2108 mm height, subtract 25 mm from the grille panel height dimensions and for a 2235 mm height, add 102 mm. A specific panel grille must be ordered for a 2108 mm or 2235 mm overall unit height.



## Custom Panels—ICBBW-30

### FLUSH INSET PANELS

The flush inset application is an overlay model with flush inset panels. It is not a separate model.

The flush inset design allows custom panels to be installed flush with adjacent cabinets. Similar to overlay, flush inset panels are typically created by combining a 19 mm custom panel, a 3 mm spacer panel, and a 6 mm backer panel. Refer to the illustrations for overlay panels on the previous page.

For flush inset panels thicker than 19 mm, a 90° door stop may be required to prevent interference with adjacent cabinets. Refer to the full-scale template on page 57.

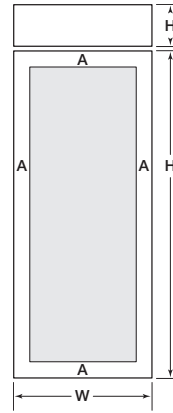
### PANEL REQUIREMENTS

PANEL WEIGHT	MAX
Door	34 kg
Grille	6 kg

PANEL THICKNESS	MIN
Flush Inset	16 mm

### FLUSH INSET PANEL DIMENSIONS



ICBBW-30

### FLUSH INSET PANELS

DOOR	W	H
Flush Inset Panel	787 mm	1772 mm
Spacer Panel	740 mm	1751 mm
Backer Panel	756 mm	1767 mm

STILES / RAILS	A
Minimum	95 mm

GRILLE	W	H
Flush Inset Panel	787 mm	235 mm
Spacer Panel	740 mm	211 mm
Backer Panel	756 mm	227 mm

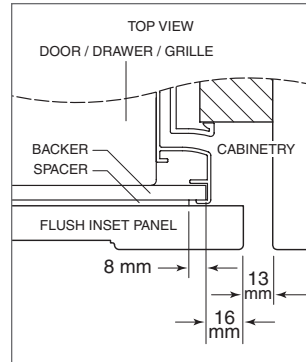
*Grille panel dimensions are for a standard 2134 mm overall unit height. For a 2108 mm height, subtract 25 mm from the grille panel height dimensions and for a 2235 mm height, add 102 mm. A specific panel grille must be ordered for a 2108 mm or 2235 mm overall unit height.*

## Custom Panels—ICBBW-30

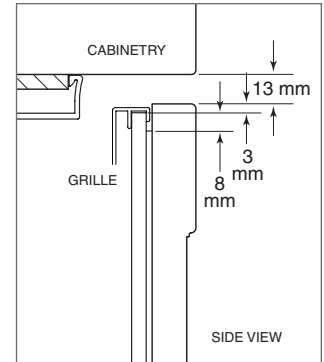
### FLUSH INSET PANEL OFFSET

The illustrations provide panel offsets and reveals for model ICBBW-30 in a flush inset application. Refer to the chart below for reference to the illustrations.

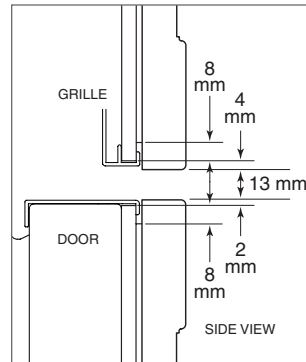
PANEL OFFSET	ILLUS
Door / Grille Sides	A
Grille Top	B
Grille Bottom / Door Top	C
Door Bottom	D



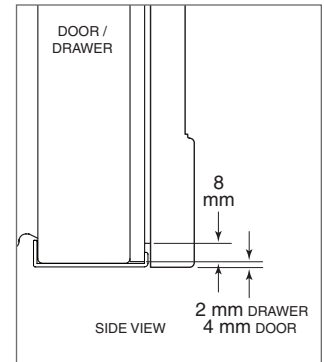
Illus. A



Illus. B



Illus. C



Illus. D

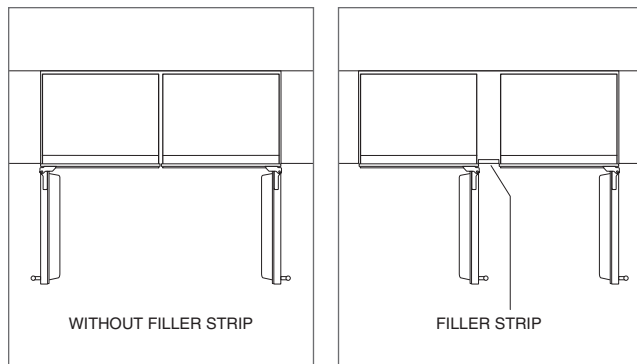
## Custom Panels—ICBBW-30

### DUAL INSTALLATIONS

A dual installation kit may be required if two models ICBBW-30 or a model ICBBW-30 and a Classic series unit are installed side by side. Installations without a custom filler strip require a dual installation kit. If a dual installation kit is not specified, a 51 mm filler strip is recommended between the units. Dual installations without a filler strip can only be accomplished using two units with opposite hinges. Refer to the illustrations below.

Dual installation kits are available through an authorized Sub-Zero dealer. For questions regarding the installation, contact your authorized Sub-Zero dealer.

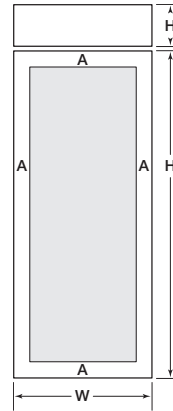
For dual standard installations, panel dimensions are the same as for single installations. Panel dimensions and offsets for dual flush inset installations are listed on the following pages.



Opposite hinges

Same side hinges

### DUAL FLUSH INSET PANEL DIMENSIONS



ICBBW-30

### DUAL FLUSH INSET PANELS

DOOR	W	H
Flush Inset Panel	775 mm	1772 mm
Spacer Panel	740 mm	1751 mm
Backer Panel	756 mm	1767 mm

STILES / RAILS	A
Minimum	95 mm

GRILLE	W	H
Flush Inset Panel	775 mm	235 mm
Spacer Panel	740 mm	211 mm
Backer Panel	756 mm	227 mm

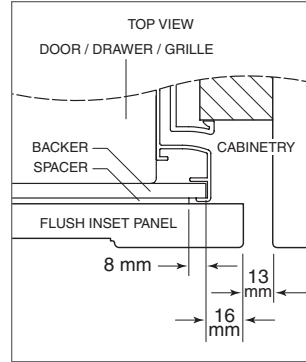
Grille panel dimensions are for a standard 2134 mm overall unit height. For a 2108 mm height, subtract 25 mm from the grille panel height dimensions and for a 2235 mm height, add 102 mm. A specific panel grille must be ordered for a 2108 mm or 2235 mm overall unit height.

## Custom Panels—ICBBW-30

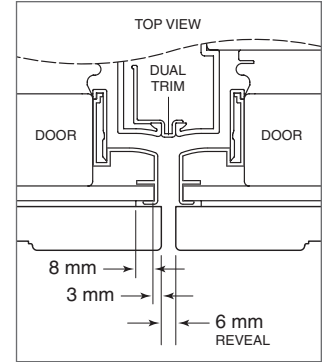
### DUAL FLUSH INSET PANEL OFFSET

The illustrations provide panel offsets and reveals for model ICBBW-30 in a dual flush inset application. Refer to the chart below for reference to the illustrations.

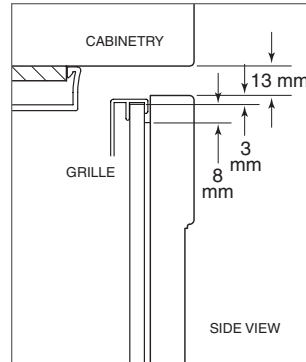
PANEL OFFSET	ILLUS
Door (hinge) / Grille Sides	A
Door (handle) Sides	B
Grille Top	C
Grille Bottom / Door Top	D
Door Bottom	E



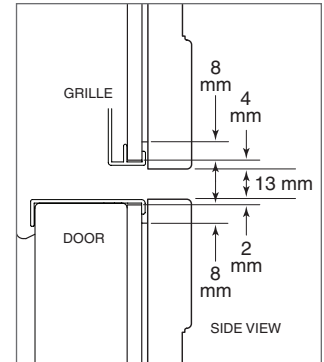
Illus. A



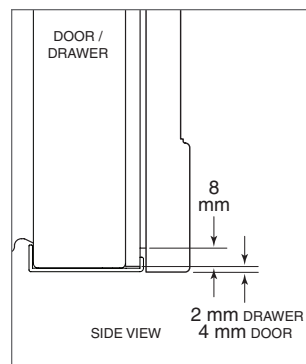
Illus. B



Illus. C



Illus. D



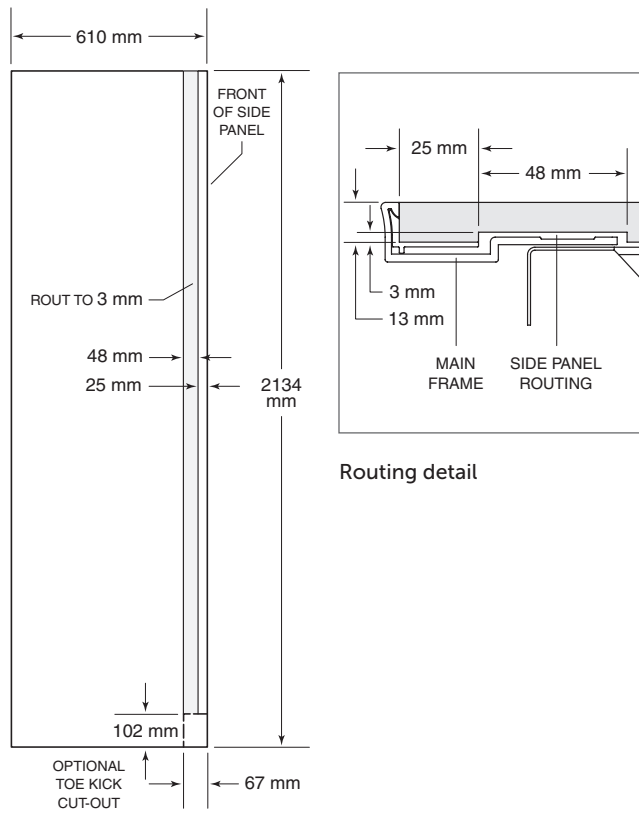
Illus. E

## Custom Panels—ICBBW-30

### SIDE PANEL

The custom side panel must be a minimum of 610 mm deep and 13 mm thick. Routing will be necessary for the side panel to fit flush against the side of the unit. Refer to the illustrations below.

When installing model ICBBW-30 with a custom side panel, an accessory kit is required. Stainless steel and white enamel side panels are available through an authorized Sub-Zero dealer.



Side panel dimensions

## Standard Handles

Optional stainless steel tubular and pro handles are available through an authorized Sub-Zero dealer.

Refer to the chart below for standard handle lengths for wine storage models.

HANDLE LENGTH	TUBULAR	PRO
ICBDEU2450W Door	614 mm	572 mm
ICBIW-18 Door	1273 mm	1229 mm
ICBIW-24 Door	1273 mm	1229 mm
ICBIW-30 Door	1273 mm	1229 mm
ICBIW-30R Door	845 mm	800 mm
ICBIW-30R Drawer	616 mm	572 mm
ICBBW-30 Door	1622 mm	1147 mm

## Wine Rack Wood Facing

### FULL-SCALE TEMPLATE

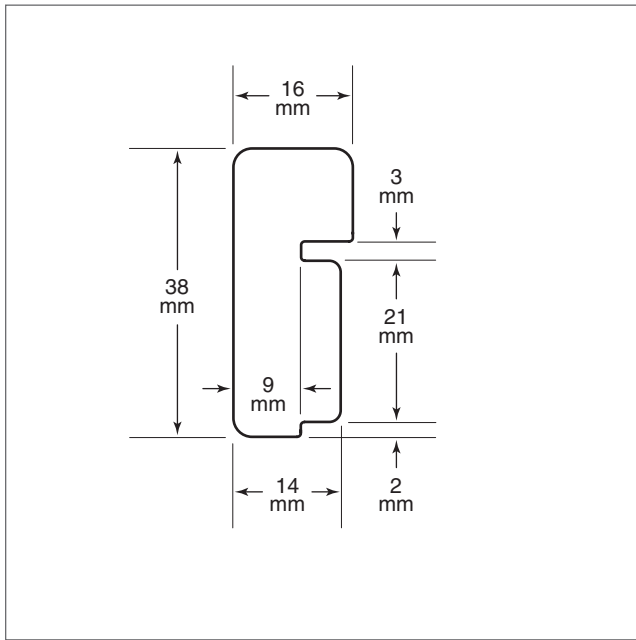
The natural cherrywood facing on wine storage racks can be stained and sealed, or replaced with wood more complementary to surrounding cabinetry. Refer to the full-scale templates below for the profile dimensions of the wood facing and the charts for the width.

### WOOD FACING WIDTH

W

DEU2450W

489 mm

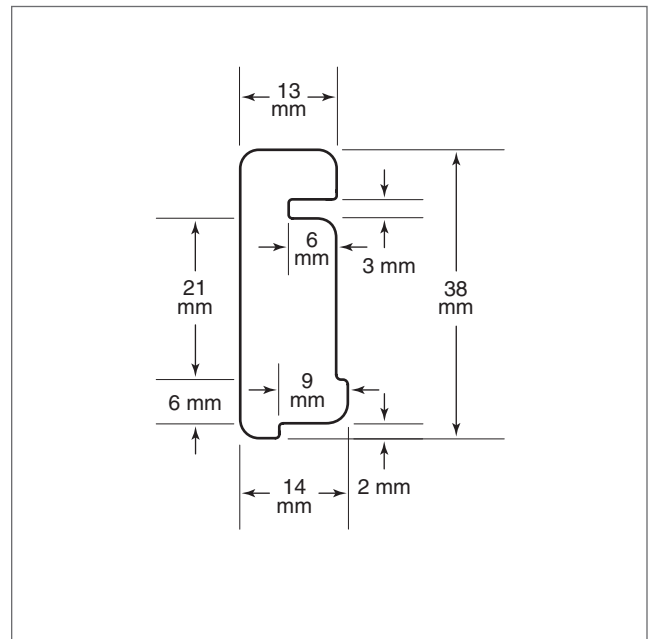


Wood facing profile—Model ICBDEU2450W

### WOOD FACING WIDTH

### WIDTH

ICBIW-18	295 mm
ICBIW-24	448 mm
ICBIW-30, ICBIW-30R	600 mm
ICBBW-30	624 mm

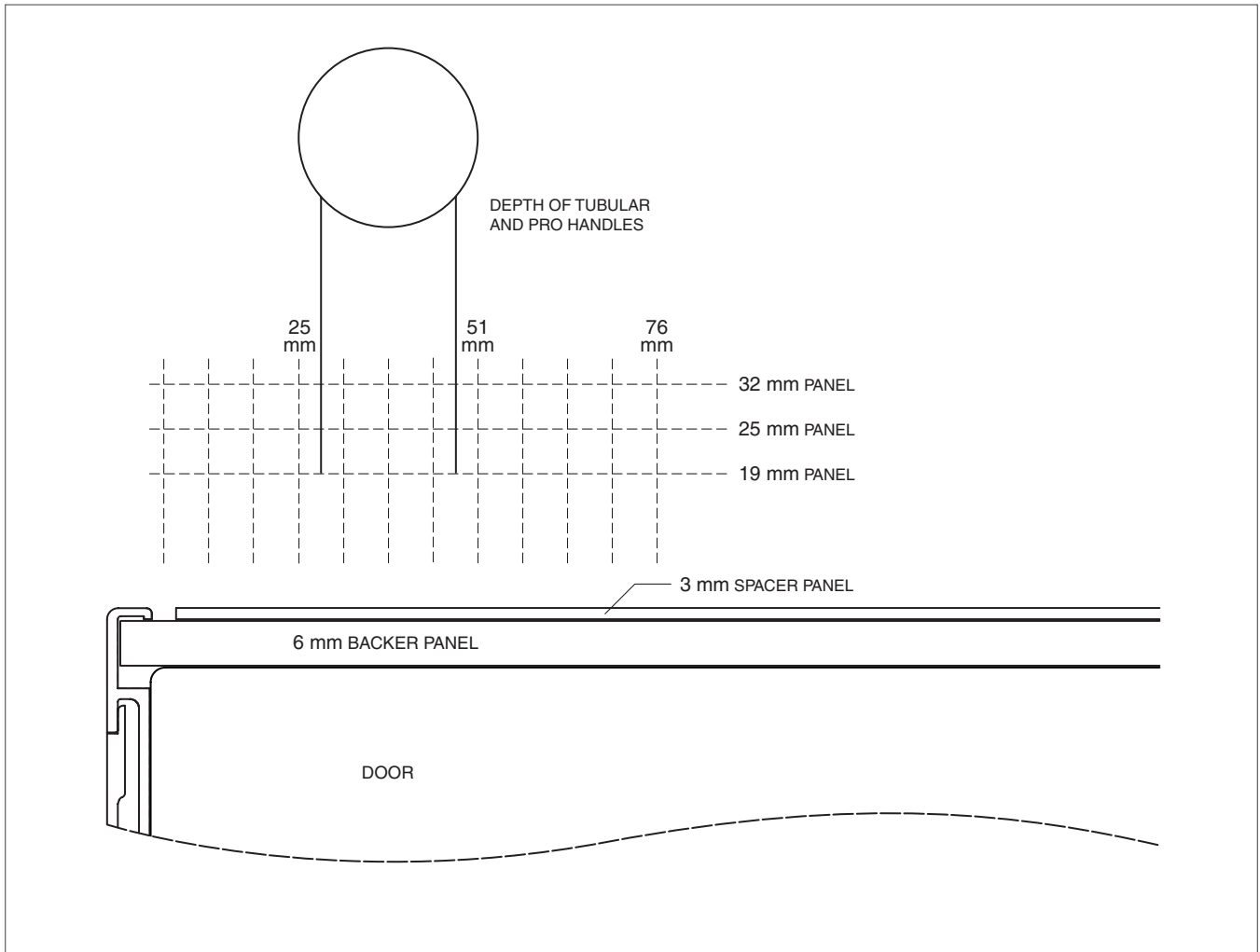


Wood facing profile—ICBIW and ICBBW models

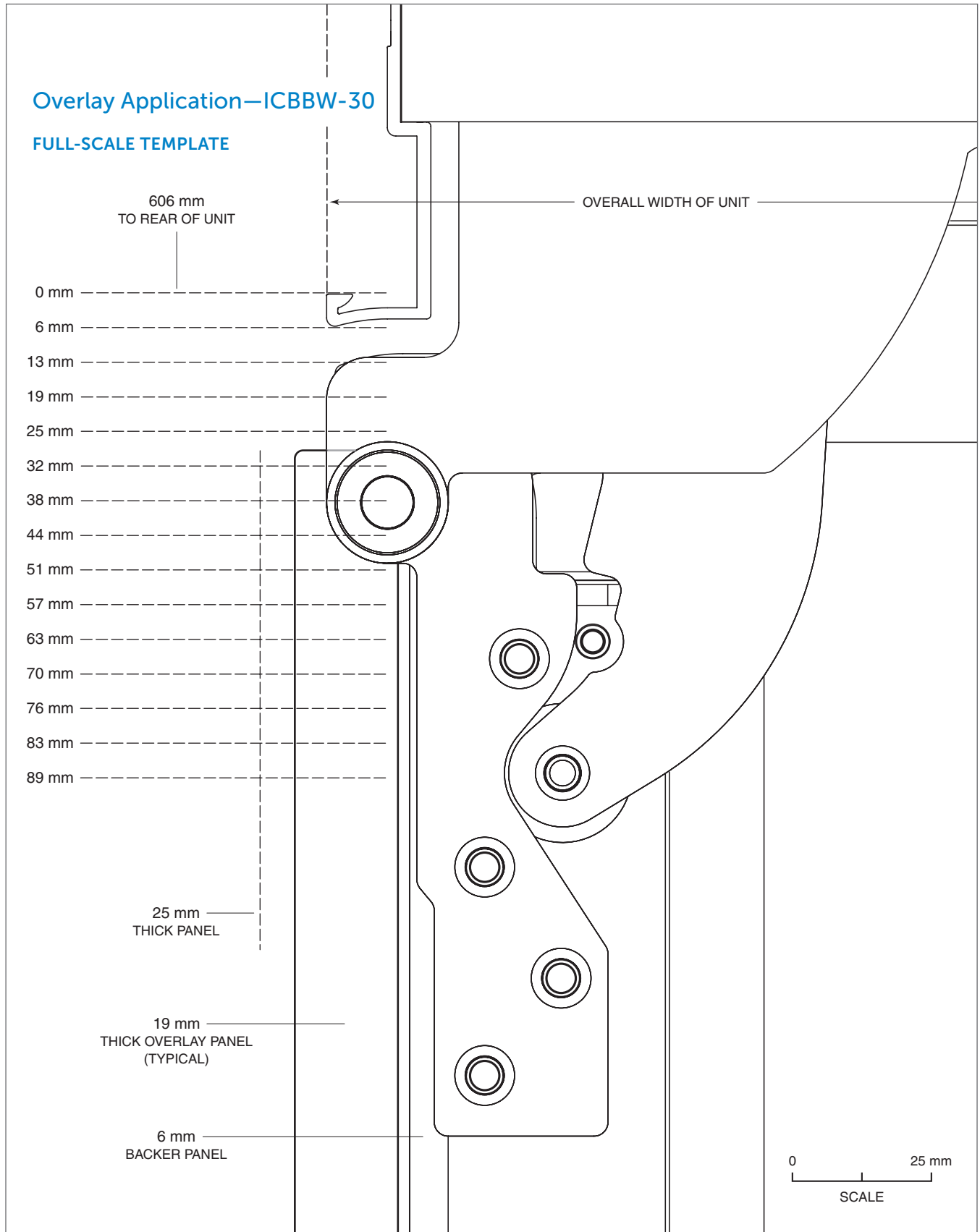
## Overlay / Flush Inset Panels—ICBBW-30

### FULL-SCALE TEMPLATE

Overlay and flush inset panels must be a minimum of 16 mm thick to support mounting the handle. Panel thickness does not include the backer and spacer panel. Mount the handle close to the opening edge of the door.



Overlay and flush inset panel thickness



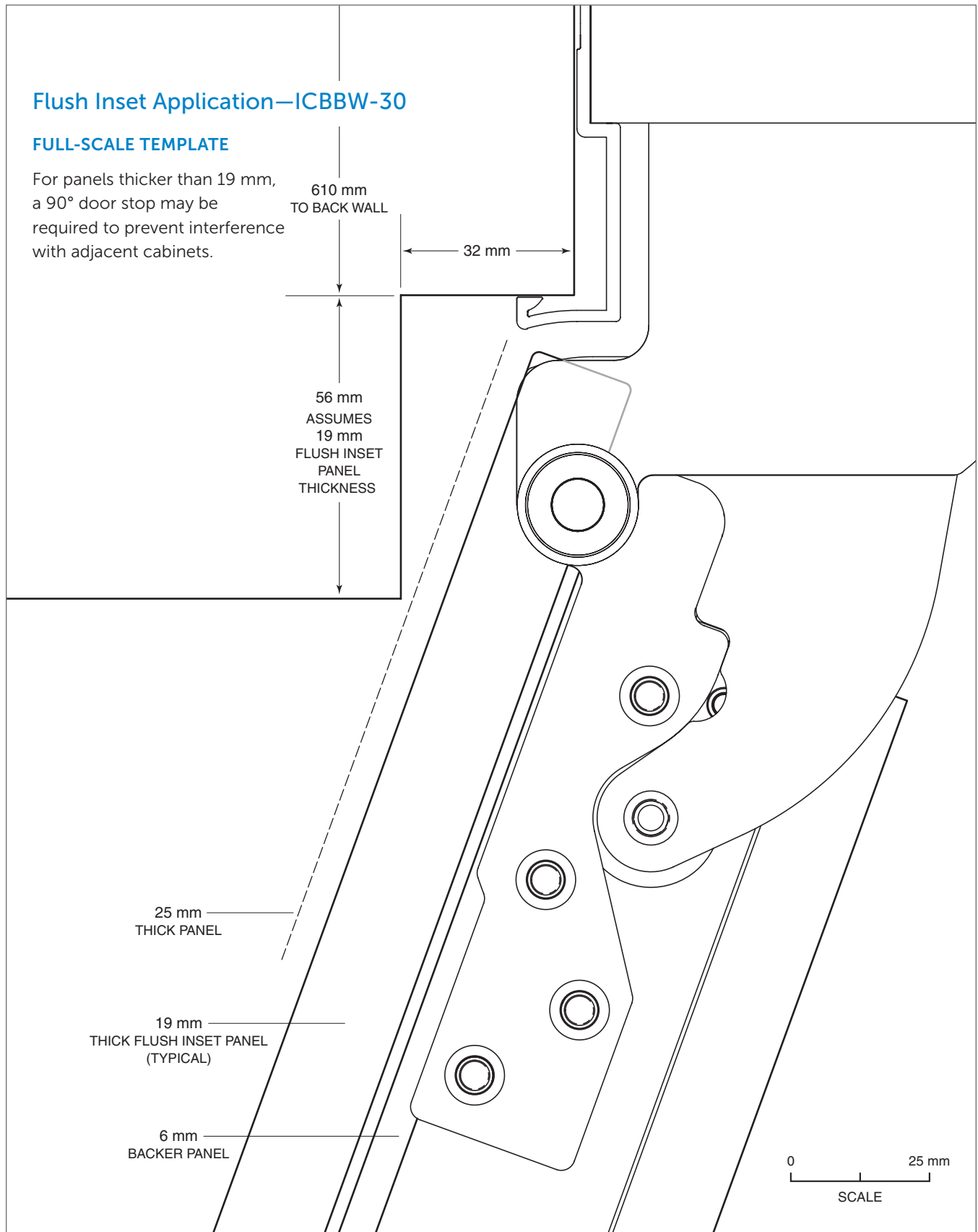
90° door opening (top view)



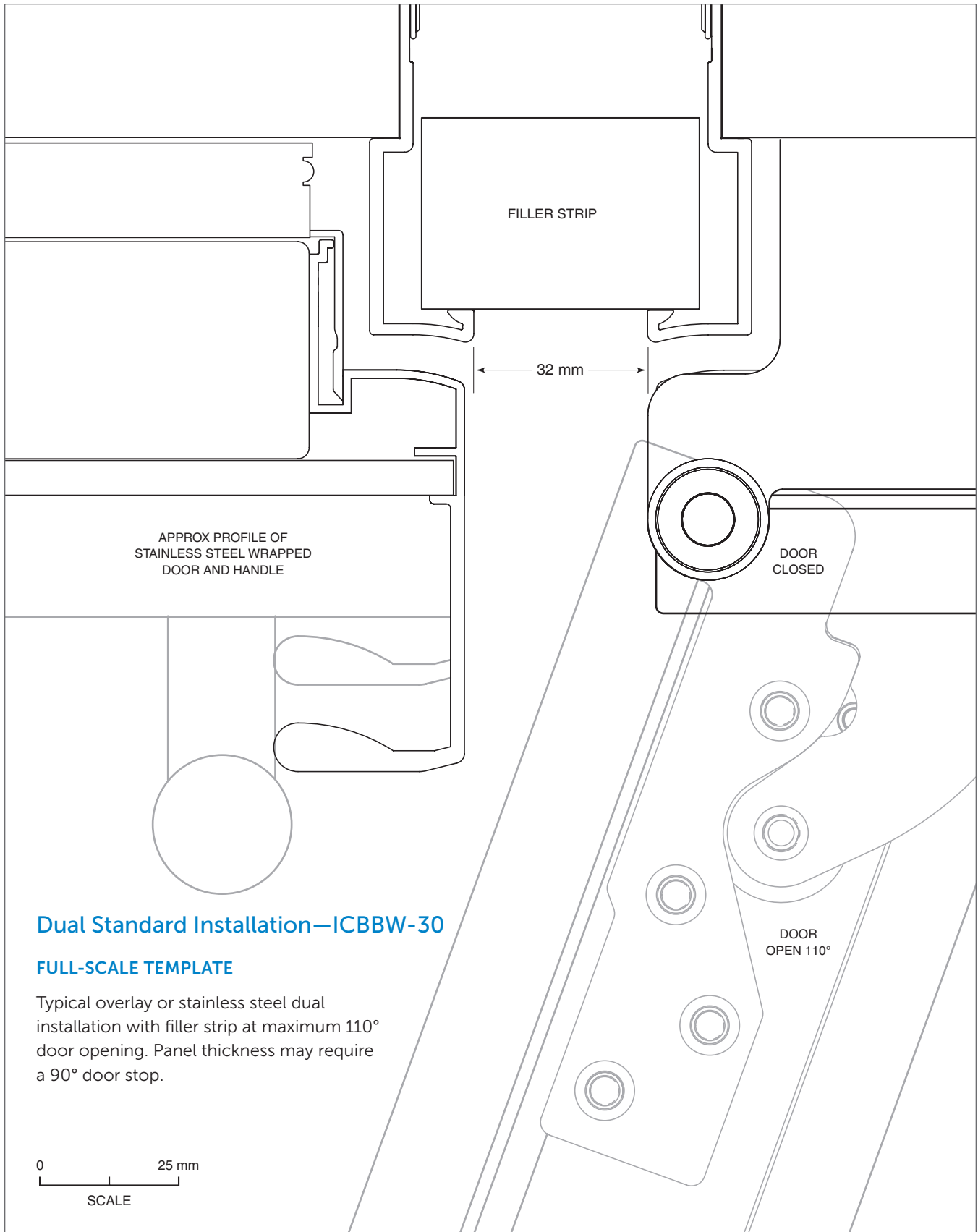
### Flush Inset Application—ICBBW-30

#### FULL-SCALE TEMPLATE

For panels thicker than 19 mm, a 90° door stop may be required to prevent interference with adjacent cabinets.



110° door opening (top view)

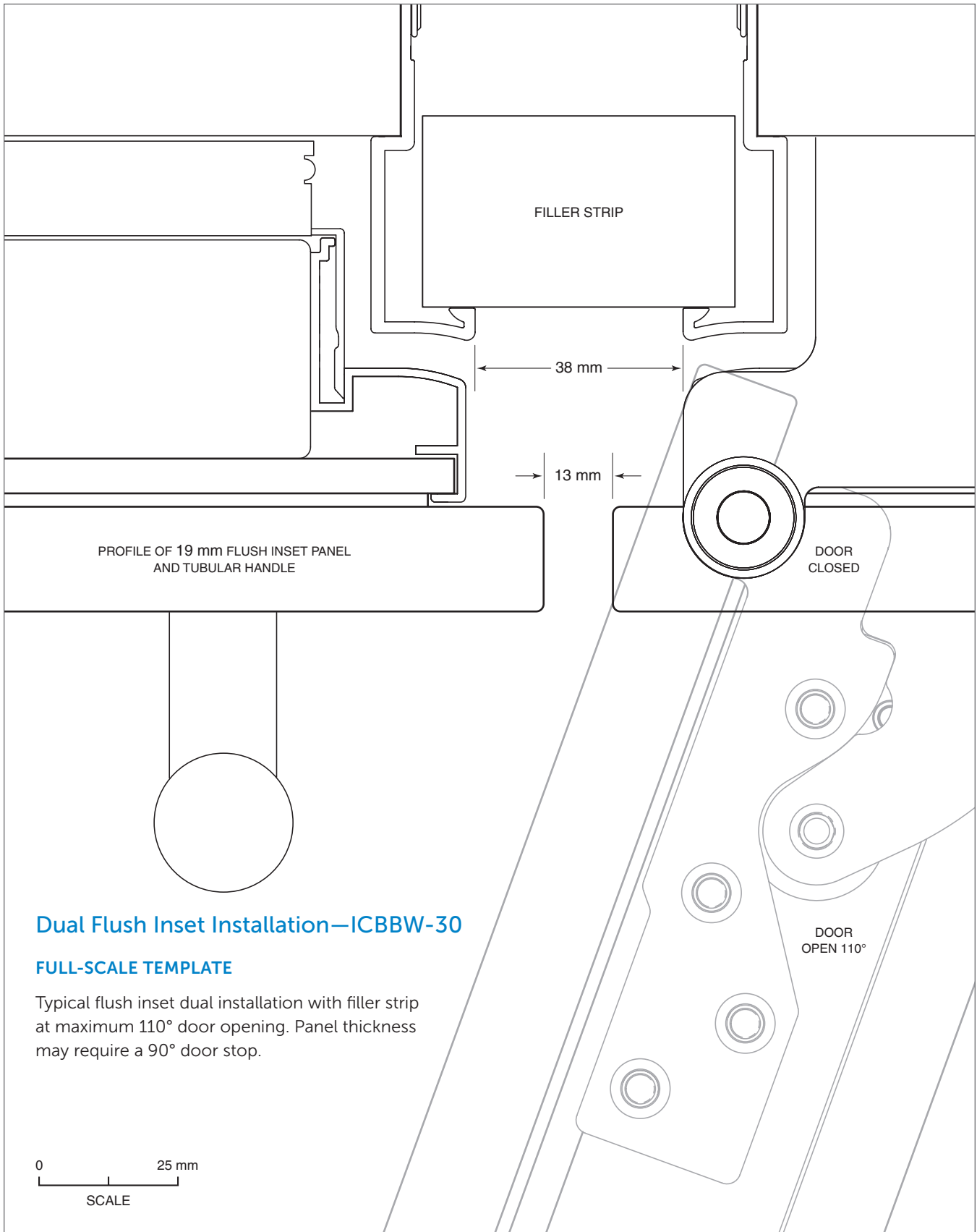


## Dual Standard Installation—ICBBW-30

### FULL-SCALE TEMPLATE

Typical overlay or stainless steel dual installation with filler strip at maximum 110° door opening. Panel thickness may require a 90° door stop.

Dual standard installation (top view)



Dual flush inset installation (top view)

## Sub-Zero International Limited Warranty

### FOR RESIDENTIAL USE

#### FULL TWO YEAR WARRANTY\*

For two years from the date of original installation, this Sub-Zero product warranty covers all parts and labor to repair or replace, under normal residential use, any part of the product that proves to be defective in materials or workmanship. All service provided by Sub-Zero under the above warranty must be performed by Sub-Zero Factory Certified Service, unless otherwise specified by Sub-Zero, Inc. Service will be provided during normal business hours.

#### FULL FIVE YEAR SEALED SYSTEM WARRANTY

For five years from the date of original installation, this Sub-Zero product warranty covers all parts and labor to repair or replace, under normal residential use, these parts that prove to be defective in materials or workmanship: compressor, condenser, evaporator, drier and all connecting tubing. All service provided by Sub-Zero under the above warranty must be performed by Sub-Zero Factory Certified Service, unless otherwise specified by Sub-Zero, Inc. Service will be provided during normal business hours.

For more information regarding your Sub-Zero product warranty, contact your authorized Sub-Zero dealer. Warranties must comply to all country, state, city, local and or ordinance.

\*Stainless steel (doors, panels, handles, product frames and interior surfaces) are covered by a limited 60-day parts and labor warranty for cosmetic defects.

\*Replacement water filters and air purification cartridges are not covered by the product warranty.



## Sub-Zero International Outdoor Limited Warranty\*

### FOR RESIDENTIAL USE

#### FULL ONE YEAR WARRANTY\*\*

For one year from the date of original installation, this Sub-Zero product warranty covers all parts and labor to repair or replace, under normal residential use, any part of the product that proves to be defective in materials or workmanship. All service provided by Sub-Zero under the above warranty must be performed by Sub-Zero Factory Certified Service, unless otherwise specified by Sub-Zero, Inc. Service will be provided during normal business hours.

#### FULL FIVE YEAR SEALED SYSTEM WARRANTY

For five years from the date of original installation, this Sub-Zero product warranty covers all parts and labor to repair or replace, under normal residential use, these parts that prove to be defective in materials or workmanship: compressor, condenser, evaporator, drier and all connecting tubing. All service provided by Sub-Zero under the above warranty must be performed by Sub-Zero Factory Certified Service, unless otherwise specified by Sub-Zero, Inc. Service will be provided during normal business hours.

#### TERMS APPLICABLE TO EACH WARRANTY

The warranty applies only to products installed for normal residential use. This warranty does not cover any parts or labor to correct any defect caused by negligence, accident or improper use, maintenance, installation, service or repair.

For more information regarding your Sub-Zero product warranty, contact your dealer. Warranties must comply to all country, state, city, local and or ordinance.

\*Product must be approved for outdoor use, designated by model and serial number.

\*\*Stainless steel (doors, panels, handles, product frames and interior surfaces) are covered by a limited 60-day parts and labor warranty for cosmetic defects.

\*\*Replacement water filters and air purification cartridges are not covered by the product warranty.





[SUBZERO.COM](http://SUBZERO.COM)