

ICBDD30

FEATURES

- Heavy-gauge stainless steel
- Lowers when not in use
- Adjustable discharge lets you negotiate around ducting
- Delay-off feature
- Delay-off feature shuts off blower after approximately 5 minutes
- Reversible motor box can be installed on either side of the downdraft
- Blower required (internal blower available)
- Remote control operation from up to 3 m away
- Rises 356 mm to whisk away smoke and odours
- Rigorously tested in our U.S. manufacturing facilities for decades of use
- Exceptional support from our Customer Care team

ACCESSORIES

- Recirculation Kit
- Make-up air damper

Accessories available through an authorized Sub-Zero dealer. For local dealer information, visit subzerowolf.hk.



BLOWER OPTIONS

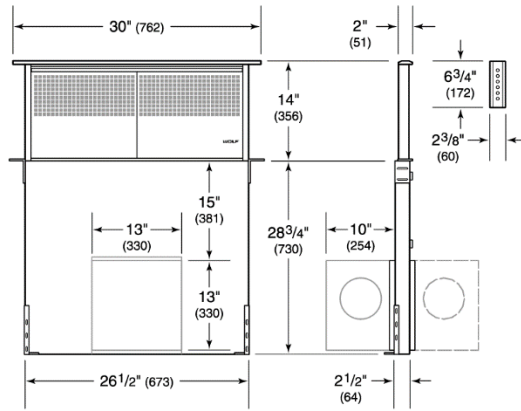
- 900 CMH Internal Blower
- 1528 CMH Remote Blower
- 2028 CMH Remote Blower

PRODUCT SPECIFICATIONS

Model	ICBDD30
Dimensions	762 mm W x 356 mm H x 51 mm D
Weight	34 kg
Electrical Supply	220-240 VAC; 50/60 Hz
Electrical Service	0.4 kW
Discharge Location	Vertical or Horizontal
Discharge Dimensions	152 (6") mm round internal or 254 mm (10") round remote
Receptacle	3-prong grounding-type

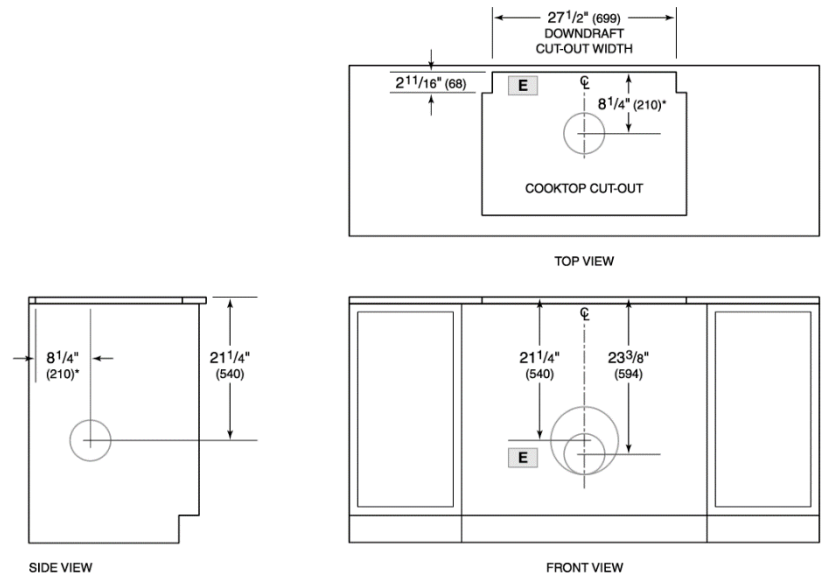
NOTE: Dimensions in parenthesis are in millimeters unless otherwise specified

DIMENSIONS



NOTE: Shown with front mounted internal blower with 6" (152) round discharge, dashed line represents rear mount.

STANDARD INSTALLATION



*6" (152) back from countertop cut-out when internal blower is rear mounted.

NOTE: Internal blower 6" (152) round, side, rear or bottom discharge. In-line and remote blower 10" (254) round, rear discharge. Centerline indicates center of downdraft cut-out.