

**ICBCI365TF/S**

**FEATURES**

- 40% faster temperature response than gas or electric
- Cooktop stays relatively cool for added safety and easy cleanup
- Cookware sensing guards against hot burners being left on
- Efficiently transfers heat, because energy is supplied directly to the cookware
- Incredible cooking control, with lightning fast high heat and very low lows
- Magnetic induction technology provides fast and perfectly distributed heat
- Five elements and five bridging options accommodate widest possible variety of pan sizes
- Rigorously tested in our U.S. manufacturing facilities for decades of use
- Exceptional support from our Customer Care team

**ACCESSORIES**

- Filler Strip
- Filler Strip for Downdraft

Accessories available through an authorized dealer.  
For local dealer information, visit [subzerowolf.com](http://subzerowolf.com).



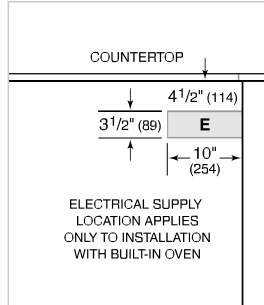
**COOKTOP SPECIFICATIONS**

- 2 - 2100 W Element
- 2 - 2100 W Element with 3000 W Boost
- 1 - 2600 W Element with 3700 W Boost

**PRODUCT SPECIFICATIONS**

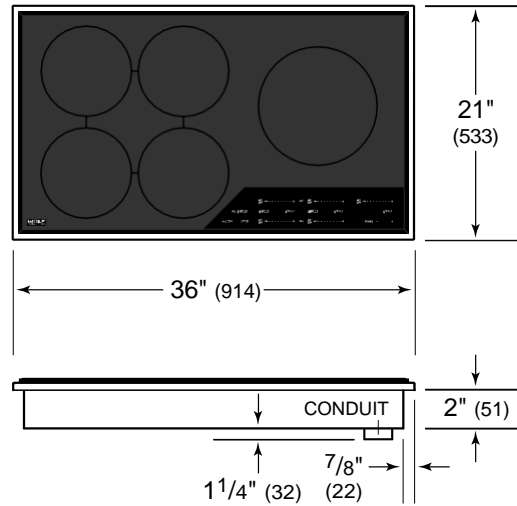
Model	ICBCI365TF/S
Dimensions	914 mm W x 51 mm H x 533 mm D
Weight	32 kg
Electrical Supply	220-240 VAC; 50/60 Hz
Electrical Service	11.1 kW, 3-phase 3.7 kW

**ELECTRICAL**

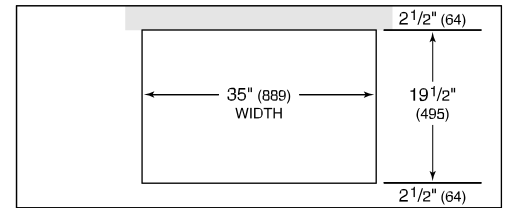


**NOTE:** Dimensions in parenthesis are in millimeters unless otherwise specified

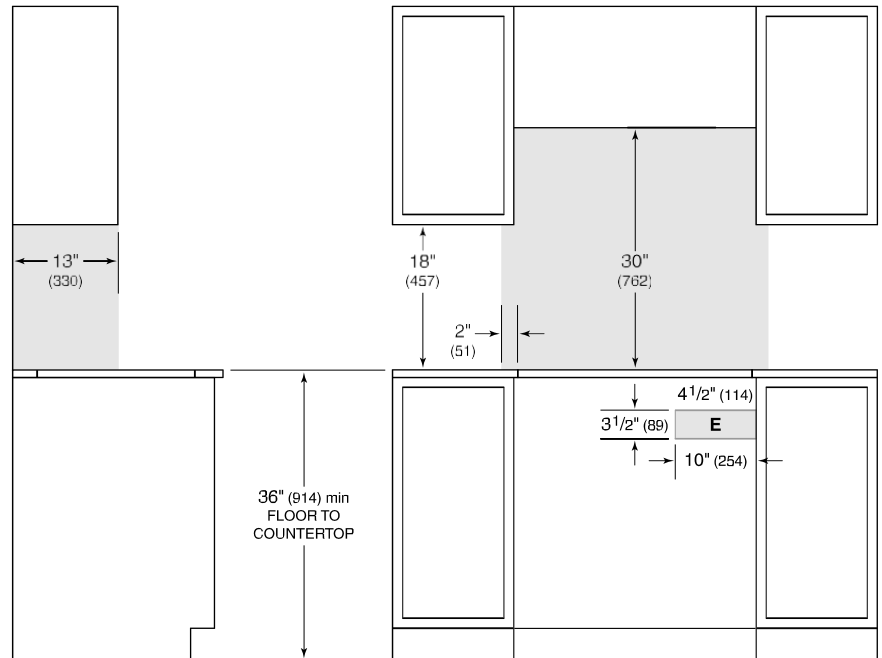
**DIMENSIONS**



**STANDARD INSTALLATION**



COUNTERTOP CUT-OUT



SIDE VIEW

FRONT VIEW

*NOTE: Shaded area above countertop indicates minimum clearance to combustible surfaces, combustible materials cannot be located within this area. Electrical supply location only applies to installations with built-in oven.*