

**ICBCI304TF/S****FEATURES**

- 
- Four elements and bridging option to accommodate different pan sizes
- 
- 40% faster temperature response than gas or electric
- 
- Magnetic induction technology provides fast and perfectly distributed heat
- 
- Incredible cooking control, with lightning fast high heat and very low lows
- 
- Cookware sensing guards against hot burners being left on
- 
- Cooktop stays relatively cool for added safety and easy cleanup
- 
- Efficiently transfers heat, because energy is supplied directly to the cookware
- 
- Rigorously tested in our U.S. manufacturing facilities for decades of use
- 
- Exceptional support from our Customer Care team

**ACCESSORIES**

- 
- Filler Strip
- 
- Filler Strip for Downdraft
- 

Accessories available through an authorized dealer.  
For local dealer information, visit [subzerowolf.com](http://subzerowolf.com).

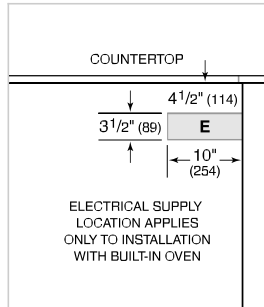
**COOKTOP SPECIFICATIONS**

- 1 - 1400 W Element
- 1 - 2100 W Element
- 1 - 2100 W Element with 3000 W Boost
- 1 - 2600 W Element with 3150 W Boost

**PRODUCT SPECIFICATIONS**

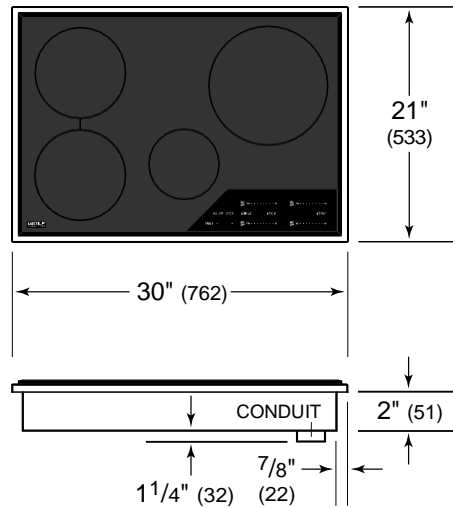
Model	ICBCI304TF/S
Dimensions	762 mm W x 51 mm H x 533 mm D
Weight	22 kg
Electrical Supply	220-240 VAC; 50/60 Hz
Electrical Service	7.4 kW, 3-phase 3.7 kW

**ELECTRICAL**

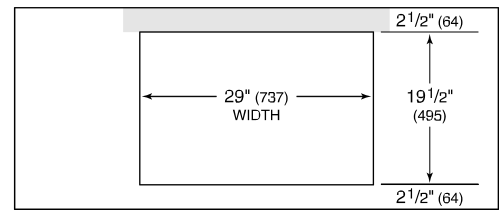


**NOTE:** Dimensions in parenthesis are in millimeters unless otherwise specified

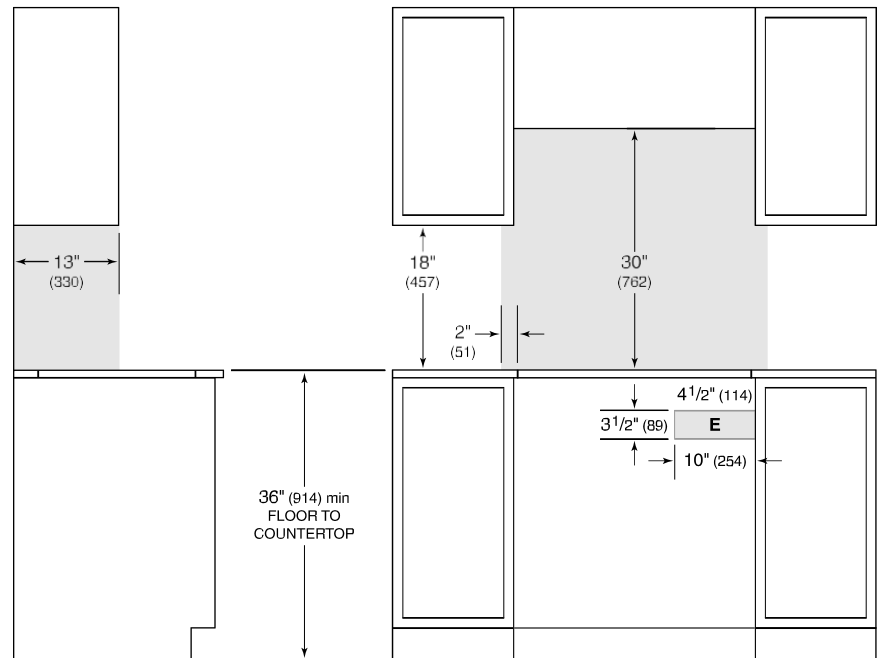
**DIMENSIONS**



**STANDARD INSTALLATION**



COUNTERTOP CUT-OUT



SIDE VIEW

FRONT VIEW

*NOTE: Shaded area above countertop indicates minimum clearance to combustible surfaces, combustible materials cannot be located within this area. Electrical supply location only applies to installations with built-in oven.*