

ICBBI-42S**FEATURES**

LED Lighting for brighter interior

Dual refrigeration keeps food fresher longer

Air purification system fights spoilage, odours

Crispers and deli drawers in low-temp, high-humidity zones for optimum freshness

Microprocessor control assures peak performance

Freshness cards for maximum food preservation

Water-filtration system reduces contaminants, chlorine taste and odor

Rigorously tested in our U.S. manufacturing facilities to ensure decades of use

Exceptional support from Customer Care team

Magnetic door seal system locks in cold air

Automatic ice maker with "max ice" feature

Adjustable shelves for maximum convenience

ACCESSORIES

Stainless steel kickplate

Grilles for 2108 mm or 2235 mm finished height (2134 mm is standard)

Side panel mounting kit

Accessories are available through an authorized Sub-Zero dealer.
For local dealer information, visit subzerowolf.com.hk

**HANDLE OPTIONS****PRO****TUBULAR****PRODUCT DETAILS****REFRIGERATOR**

- 4 Adjustable glass shelves
- 1 High-humidity drawer with divider
- 2 Storage drawers with divider
- 3 Adjustable door shelves
- 2 Stationary door shelves
- Adjustable dairy compartment

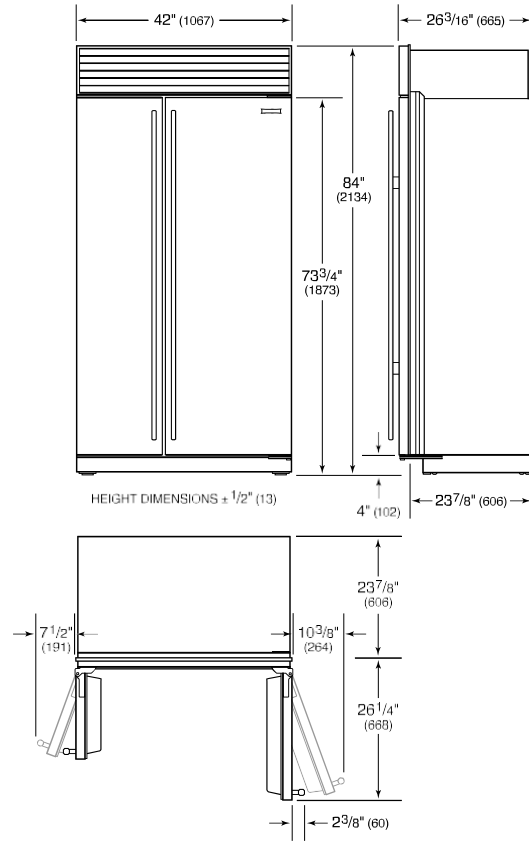
FREEZER

- Automatic ice maker
- 2 Adjustable wire shelves
- 3 Storage drawers
- 5 Adjustable door shelves

PRODUCT SPECIFICATIONS

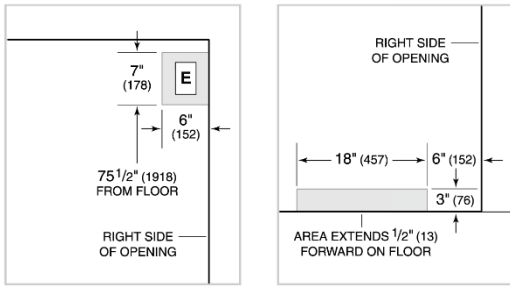
| | |
|-----------------------|--|
| Model | ICBBI-42S |
| Dimensions | 1067 mm W x 2134 mm H x 610 mm D |
| Door Clearance | 668 mm |
| Refrigerator Capacity | 430 L |
| Freezer Capacity | 220 L |
| Electrical Supply | 220-240 VAC; 50/60 Hz |
| Electrical Service | 4.1 A |
| Plumbing Supply | 6.35 mm OD copper line, braided stainless steel, or PEX tubing |
| Water Pressure | 2.4-8.3 bar |
| Receptacle | 3-prong grounding-type |

DIMENSIONS



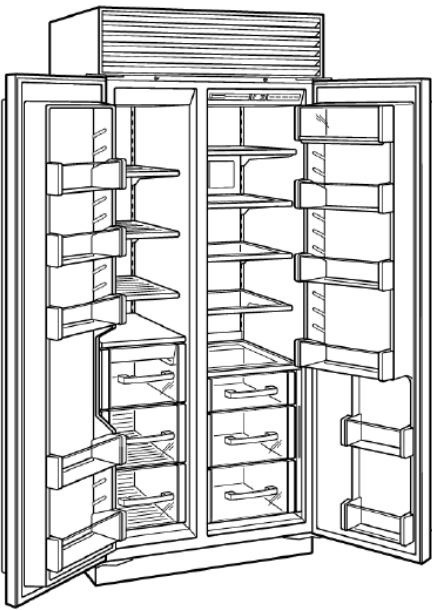
ELECTRICAL

PLUMBING



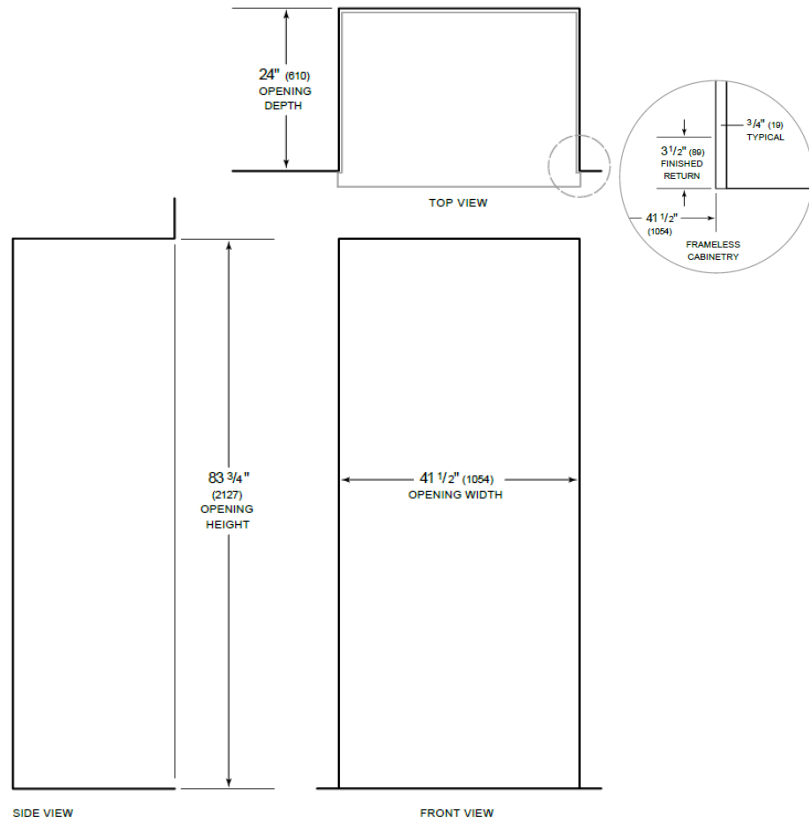
NOTE: Dimensions in parenthesis are in millimeters unless otherwise specified

INTERIOR VIEW



This illustration is intended for interior reference only and may not represent the exterior of the model being specified.

STANDARD INSTALLATION



NOTE: 3 1/2" (89) finished returns will be visible and should be finished to match cabinetry Shaded line represents profile of unit.